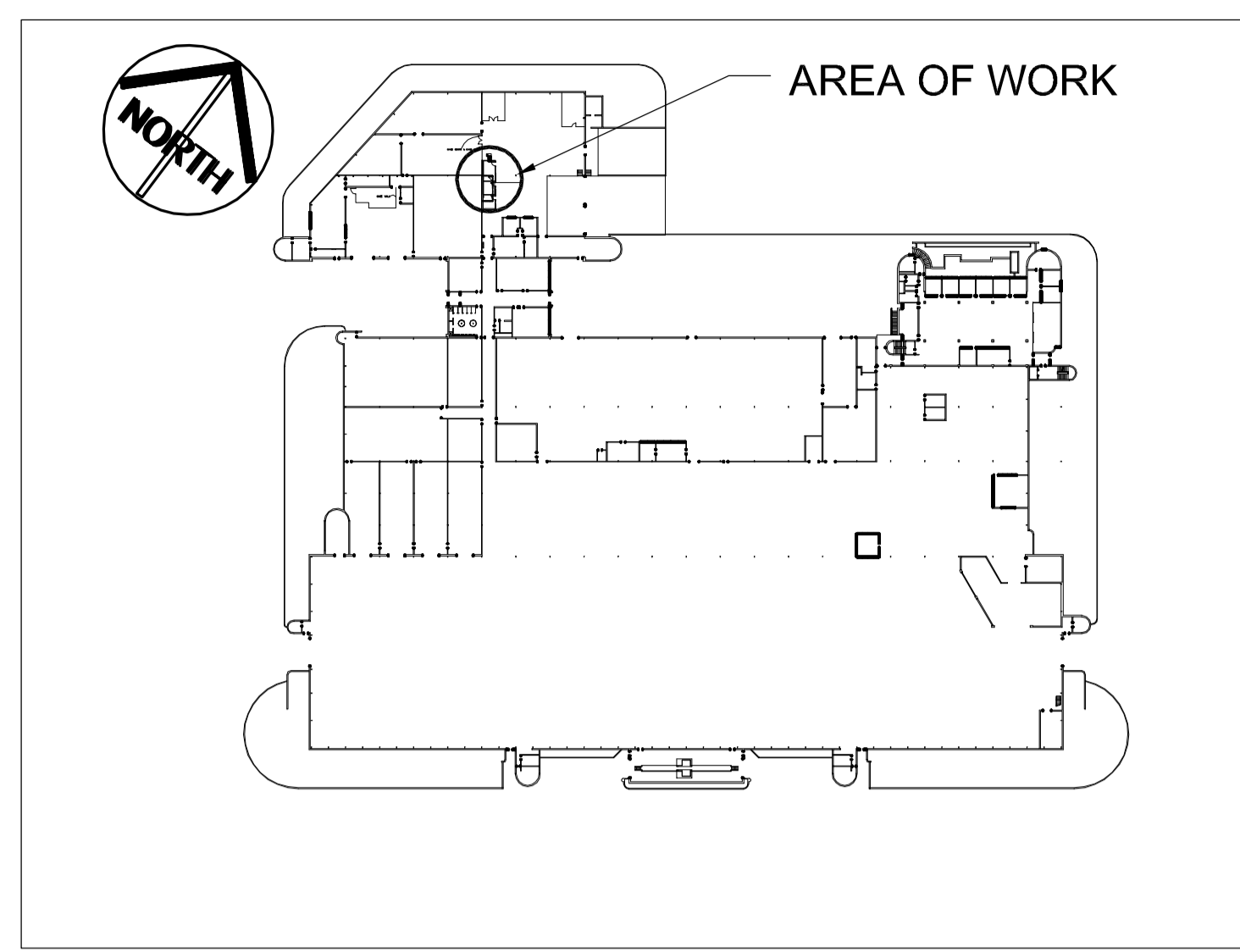
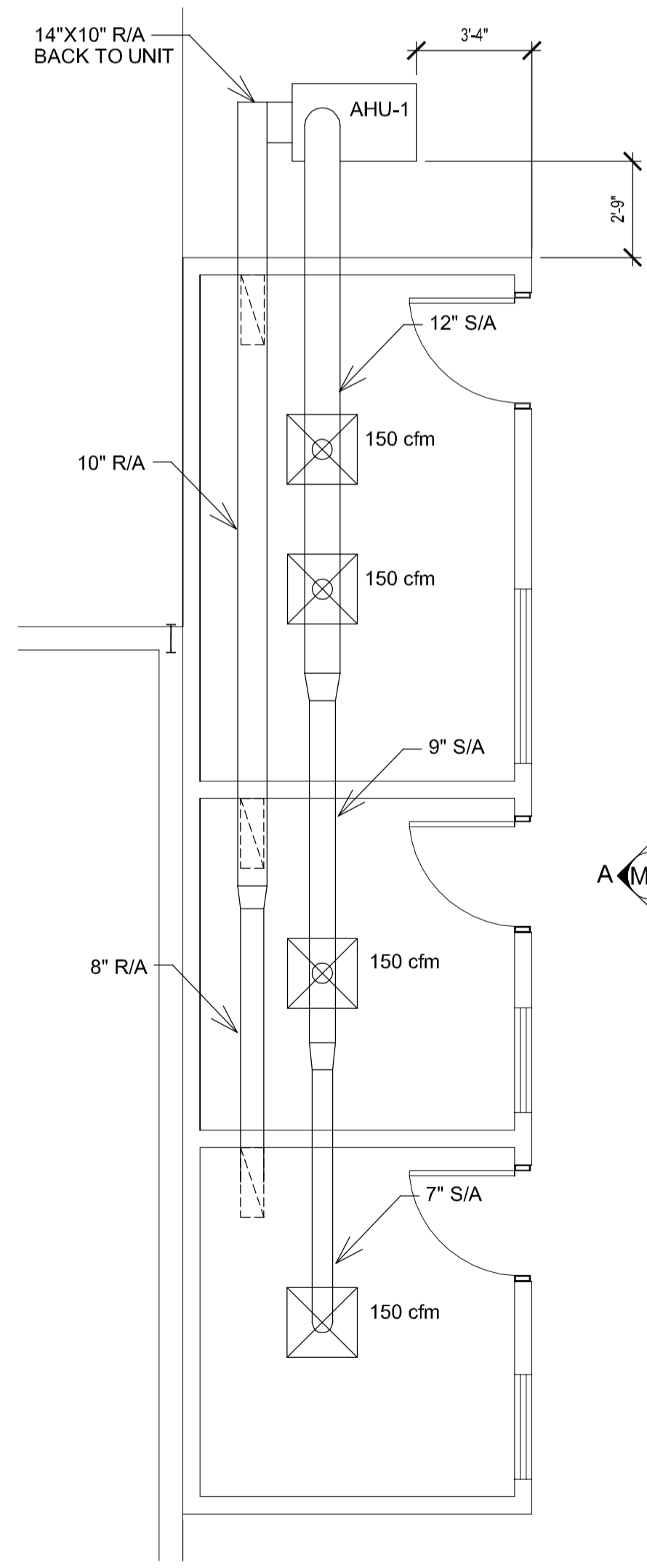


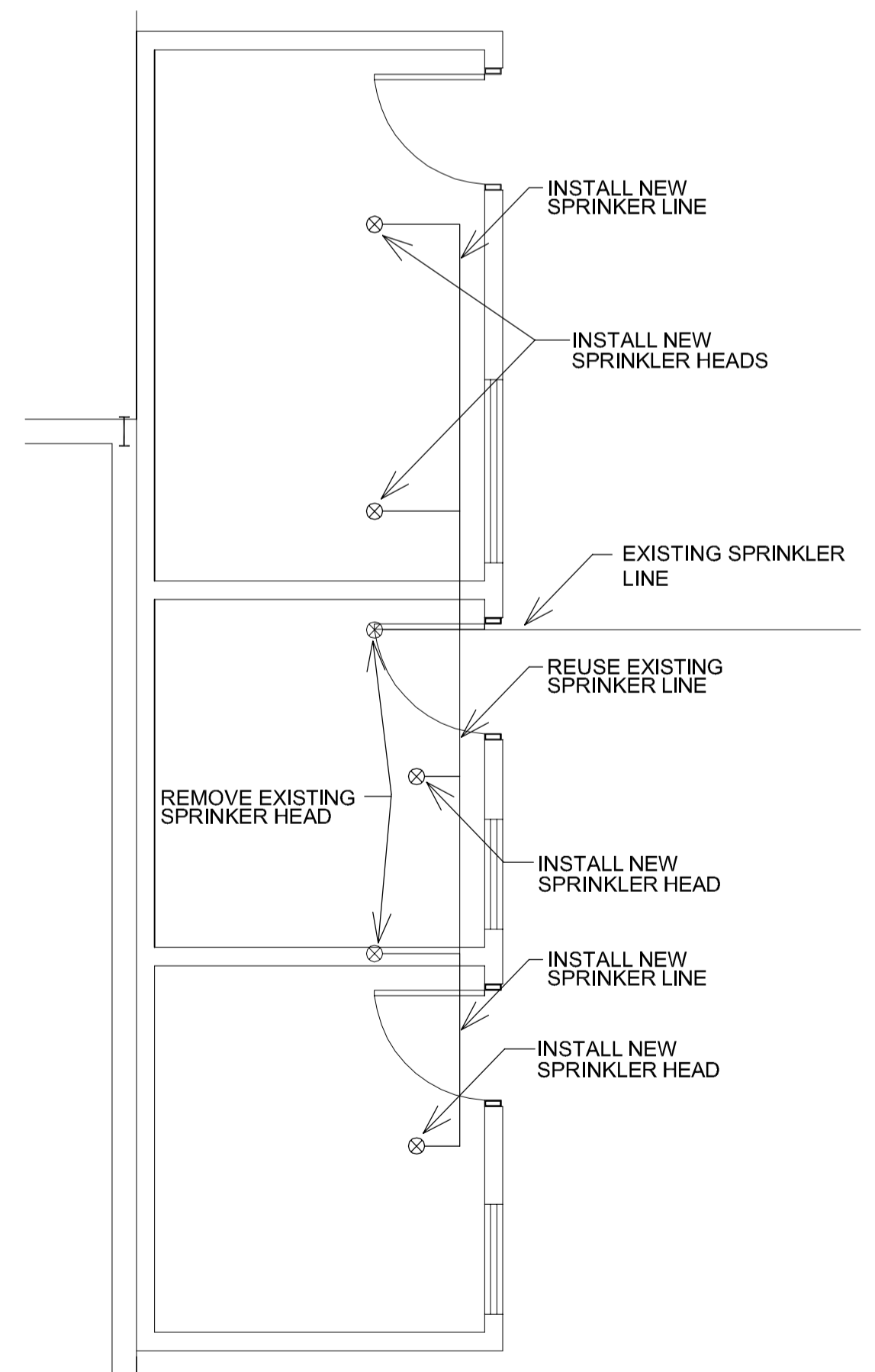
ELEVATION "A"
 SCALE: 1/4"=1'-0"



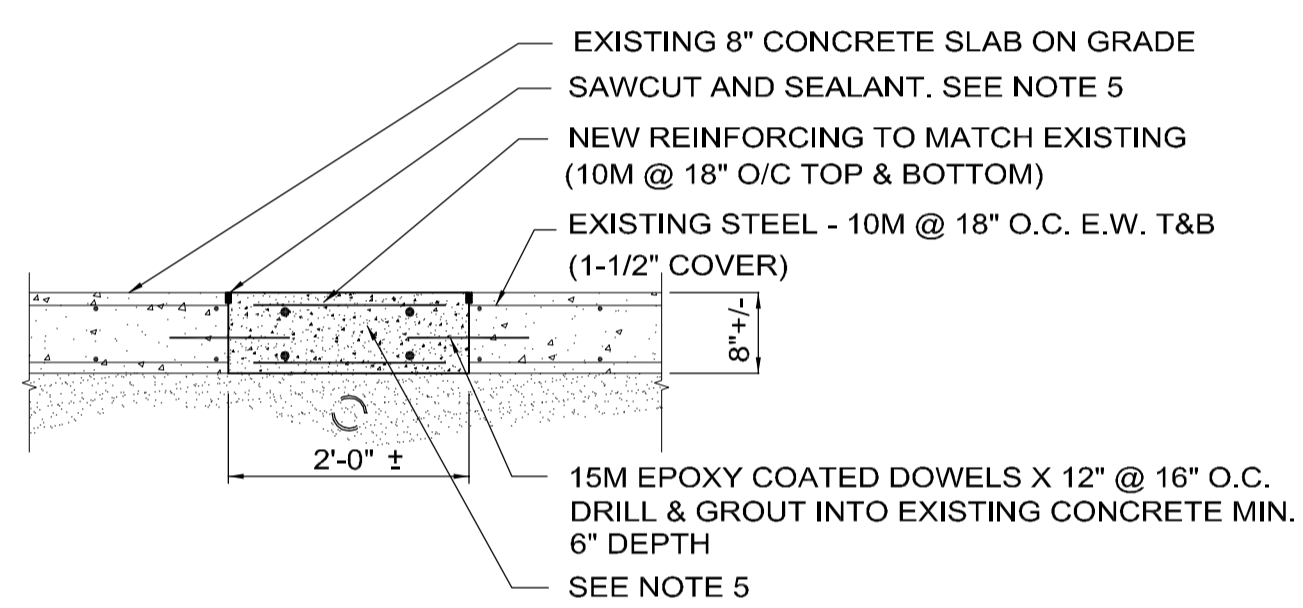
KEY PLAN
 N.T.S.



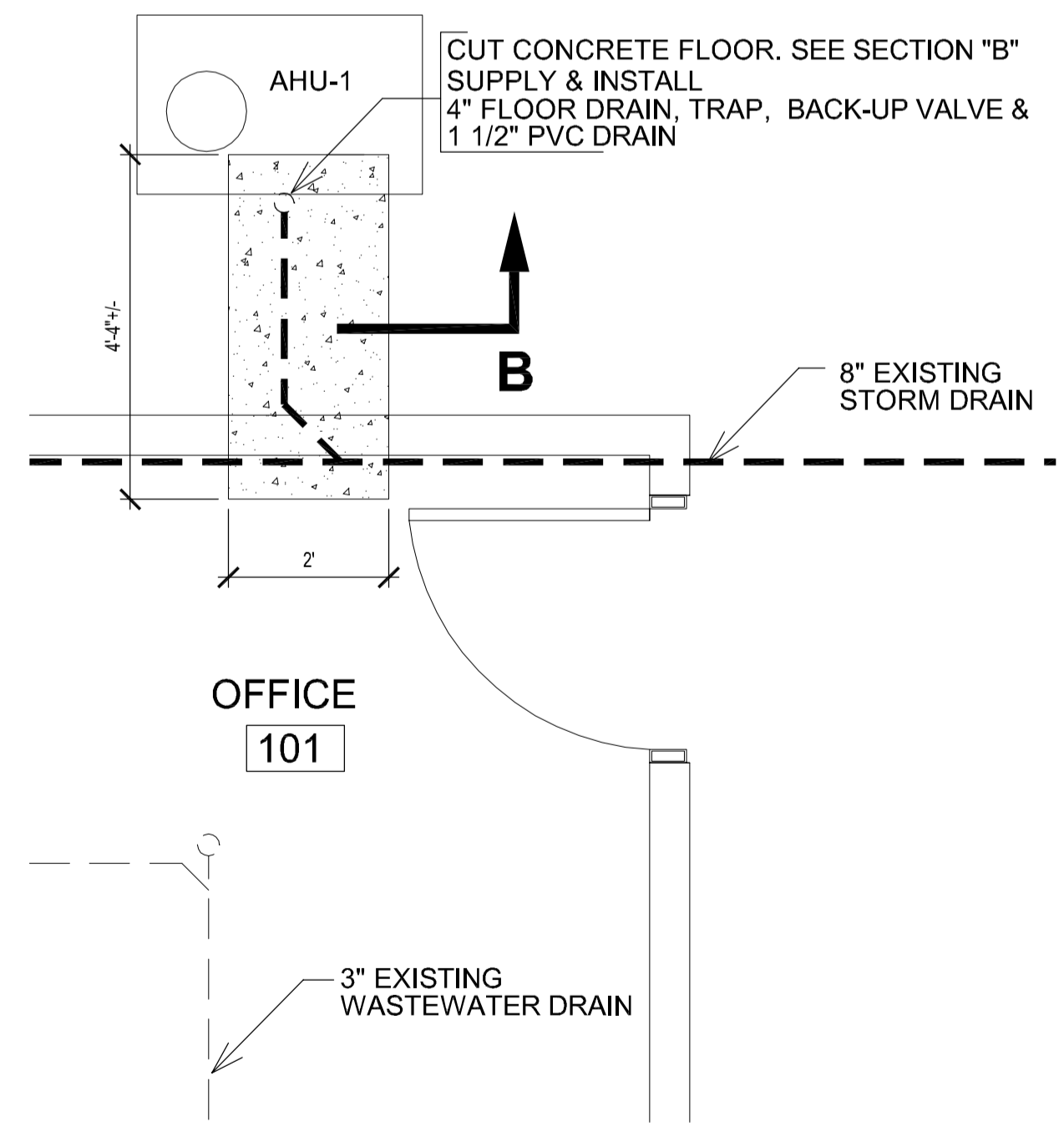
PLAN VIEW
 SCALE: 1/4"=1'-0"



SPRINKLER LAYOUT
 SCALE: 1/4"=1'-0"



SECTION "B"
 SCALE: N.T.S.



DRAINAGE PLAN
 SCALE: 1/2"=1'-0"

EQUIPMENT LIST

COND-1	CONDENSING UNIT (SUPPLY & INSTALL) TRANE MODEL TTB018C - 1.5 TON - 18,000 BTU
AHU-1	AIR HANDLER W/AIR CONDITIONER (SUPPLY & INSTALL) TRANE MODEL 2TFB4018A 600 cfm (nominal)
HTR-1	(SUPPLY & INSTALL) THERMOLEC IN-DUCT HEATER 204V/ 1PH 2 Kw, C/W THERMAL CUT-OUT SENSOR, HIGH-LIMIT CONTROLLER, AIR FLOW SENSOR AND IN-DUCT VARIABLE TEMPERATURE CONTROLLER SET AT 55°F.
HTR-2	EXISTING ELECTRIC BASEBOARD HEATER IN RELOCATED POSITION.
HTR-3	ELECTRIC BASEBOARD HEATER (SUPPLY & INSTALL)
HTR-4	ELECTRIC BASEBOARD HEATER (SUPPLY & INSTALL)
⊗	SUPPLY AIR SQUARE DIFFUSERS, E.H. PRICE 7" / 24"x24" / SPD / B12. (SUPPLY & INSTALL).
▤	EGG CRATE FACE RETURN E.H. PRICE 24"x8" / 80 / F / A / B12. (SUPPLY & INSTALL).
└┘	VOLUME DAMPER (SUPPLY & INSTALL)
⊗	FIRE SPRINKLER HEAD, RELOCATE EXISTING HEADS AND SUPPLY & INSTALL NEW ONES TO MATCH.

- NOTES :**
1. PENETRATIONS THRU ROOF SHALL BE RE-ROOFED TO MATCH EXISTING ROOF CONSTRUCTION IN ACCORDANCE WITH THE LATEST APPLICABLE BUILDING CODE.
 2. ALL INSTALLATIONS OF HEATING/ COOLING EQUIPMENT INCLUDING PROVISIONS FOR MOUNTING CLEARANCES AND AIR SUPPLY SHALL CONFORM TO APPROPRIATE MANUFACTURERS INSTALLATION MANUAL, BUILDING CODES AND STANDARDS.
 3. CONTRACTOR TO PATCH, FILL, AND MAKE GOOD ALL AREAS WHERE NEW WORK HAS OCCURRED IN EXISTING BUILDING. MAINTAIN INTEGRITY OF ALL BUILDING ASSEMBLIES, VAPOR BARRIER, INSULATION AND CAULKING.
 4. CONCRETE WORK AND MATERIALS TO BE IN-ACCORDANCE WITH THE CITY OF WINNIPEG STANDARD CONSTRUCTION SPECIFICATIONS; SPECIFICATION FOR PORTLAND CEMENT CONCRETE PAVEMENT WORKS CW3310 LATEST VERSION.
 5. JOINT SEALER TO BE SONNEBORN SL 1, ONE-PART SELF-LEVELING POLYURETHANE OR EQUAL.
 6. REUSE EXISTING SPRINKLER SYSTEM AND ADD ADDITIONAL HEADS AS NEEDED TO SATISFY ALL CODES.
 7. THE PLANS ARE CONSIDERED "DIAGRAMMATIC ONLY" AND THE ENGINEER RESERVES THE RIGHT TO CHANGE THE LOCATION OF EQUIPMENT, SWITCHES, OUTLETS & OTHER DEVICES TO WITHIN 10' OF WHERE THEY SHOWN, PROVIDED SUCH CHANGES ARE MADE PRIOR TO INSTALLATION.
 8. THE CONTACTOR SHALL SITE CHECK ALL DIMENSIONS AND SHALL SATISFY HIMSELF THAT DETAILS SHOWN ARE CORRECT.
 9. SPRINKLER HEADS AND PIPING INSTALLATION TO MEET ALL APPLICABLE CODES, STANDARDS AND REGULATIONS.
 10. MOUNT CONDENSING UNIT AS FOLLOWS:
 - REMOVE GRAVEL 6" WIDER AND LONGER THAN UNIT.
 - APPLY TORCH-ON MEMBRANE (180 GRAMS/M²)
 - UNIT TO SIT CENTERED ON 4" THICK STYROFOAM INSULATION.

ORIGINAL STAMPED BY: DOUG PALEY, P. ENG.
 DATE: JULY 6, 2004

NO.	REVISION/DESCRIPTION	BY	DATE
SEALS			

DRAWN BY: mbd
 DATE: 2004.05.27
 CHECKED BY: USER APPROVAL
 APPROVED

CITY OF WINNIPEG
 PLANNING, PROPERTY & DEVELOPMENT DEPARTMENT
 CIVIC ACCOMMODATIONS DIVISION
 300 - 65 GARRY ST. R3C 4K4

PROJECT
 TRAFFIC SERVICES SHOP
 NEW OFFICES FOR FOREMAN

421 OSBORNE STREET
 SHEET TITLE

MECHANICAL LAYOUT

SCALE	PROJECT NO.	SHEET NO.
AS NOTED	2004-035	M-1