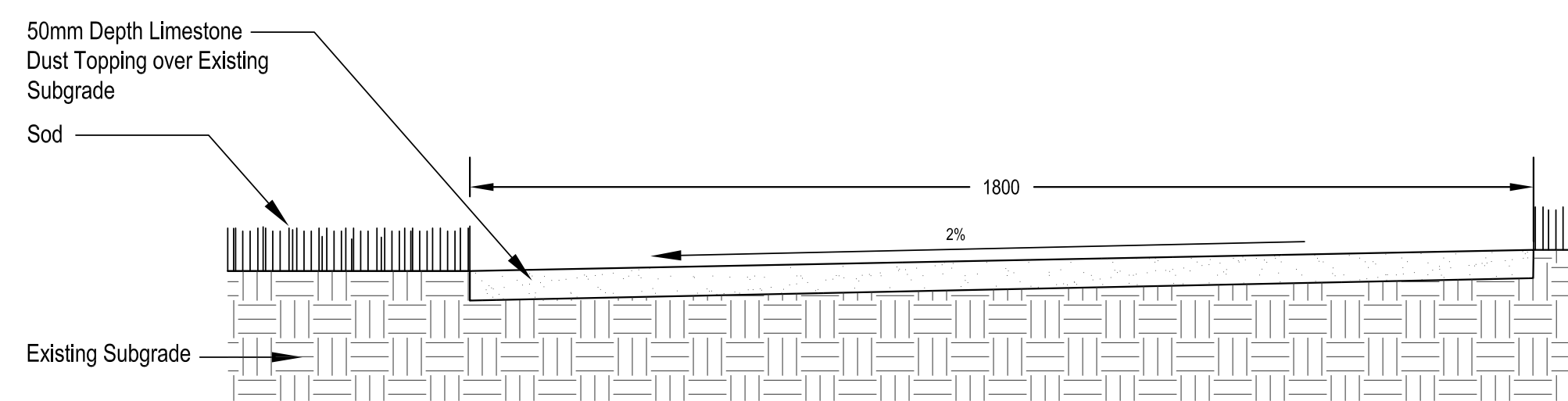
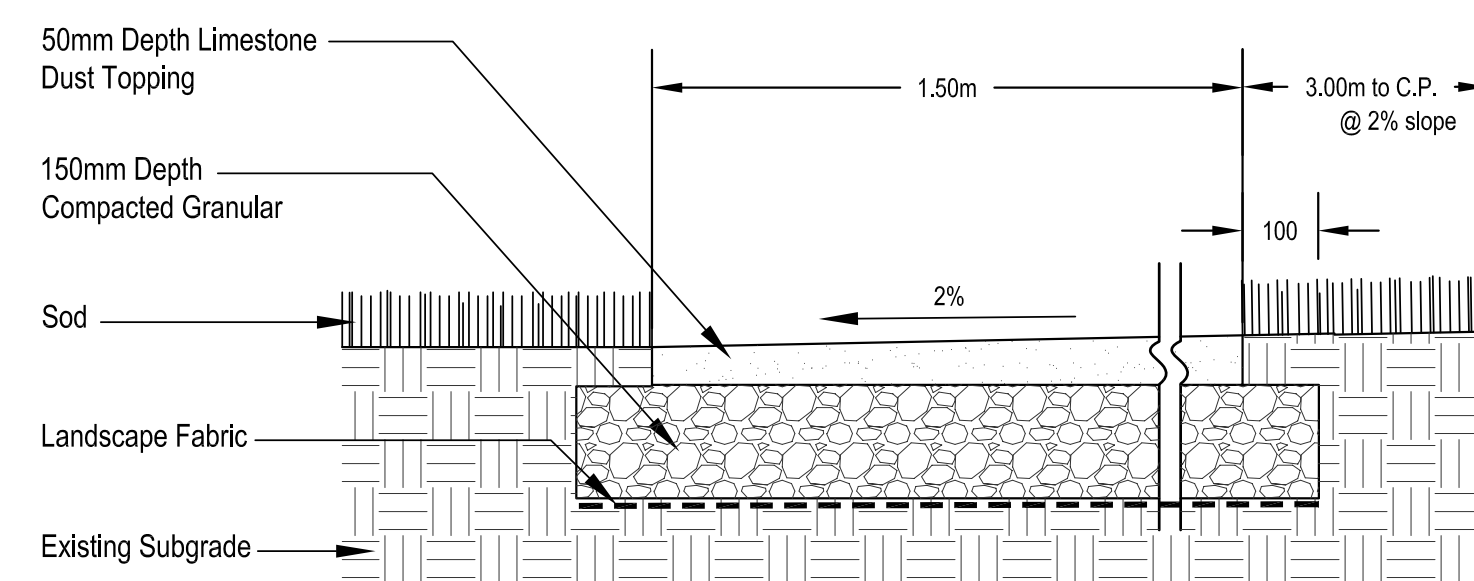




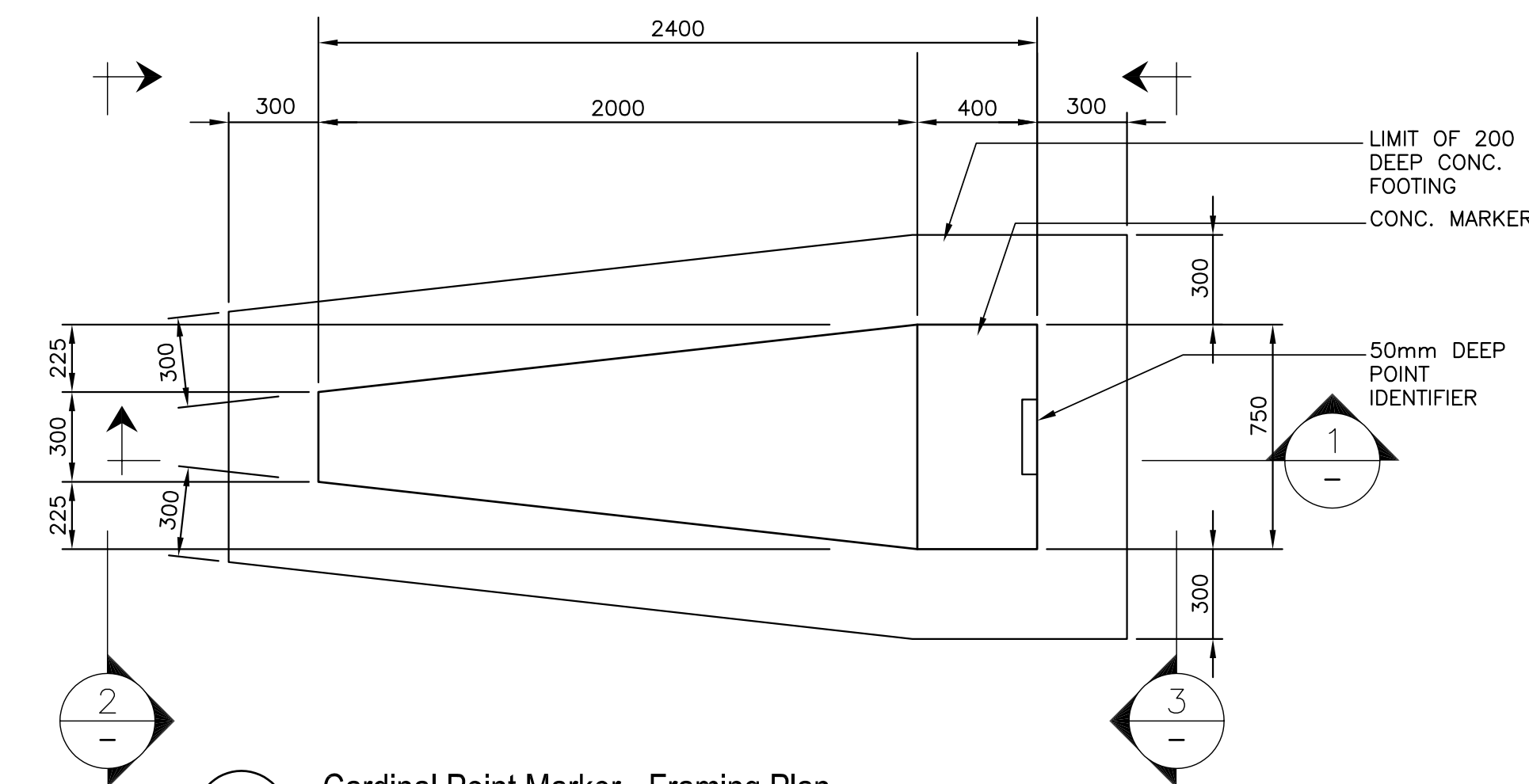
1 South Point Plan - New Path and Seating Area  
L3 scale 1:500



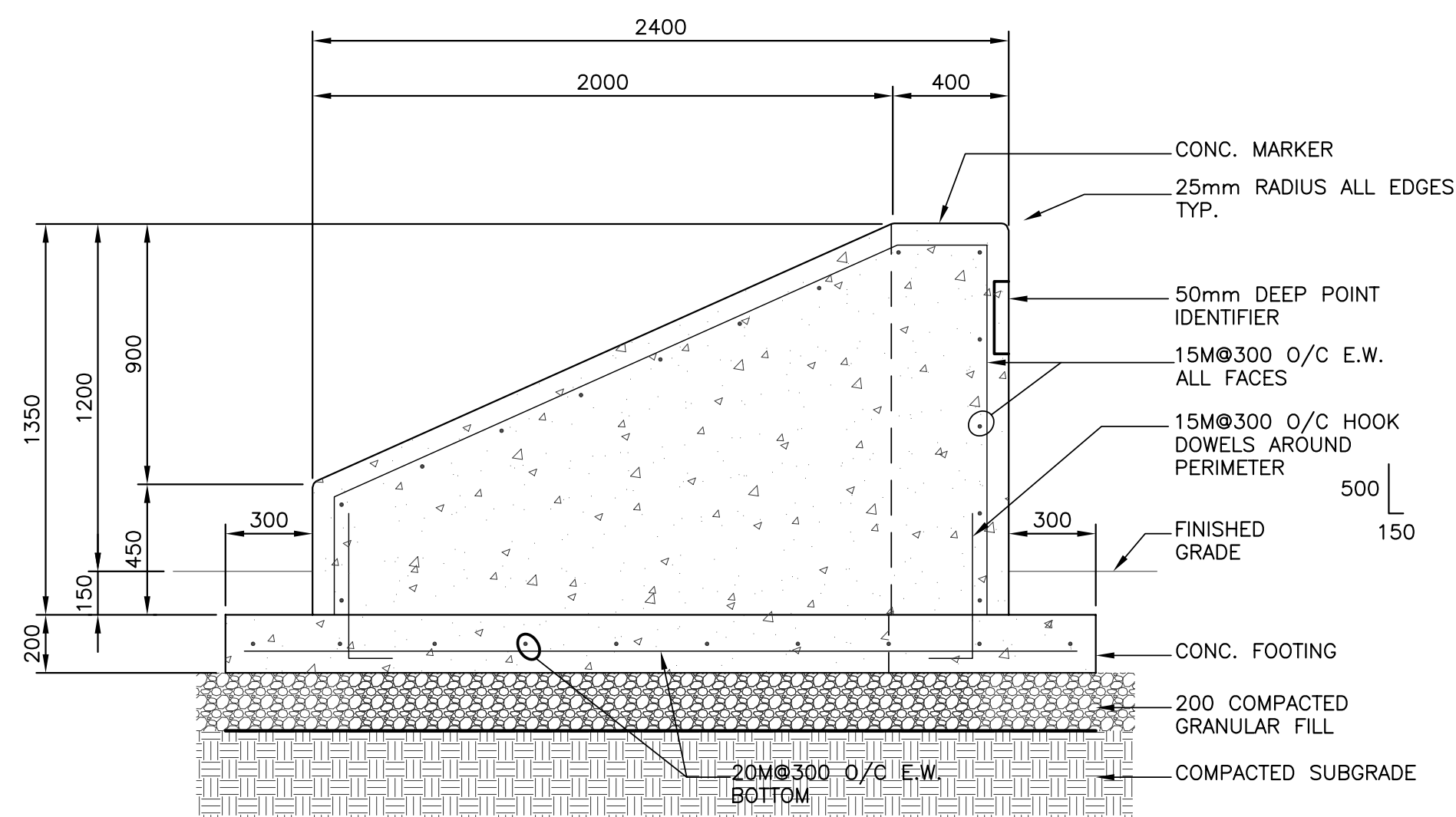
2 Crushed Limestone Path  
L3 scale 1:10



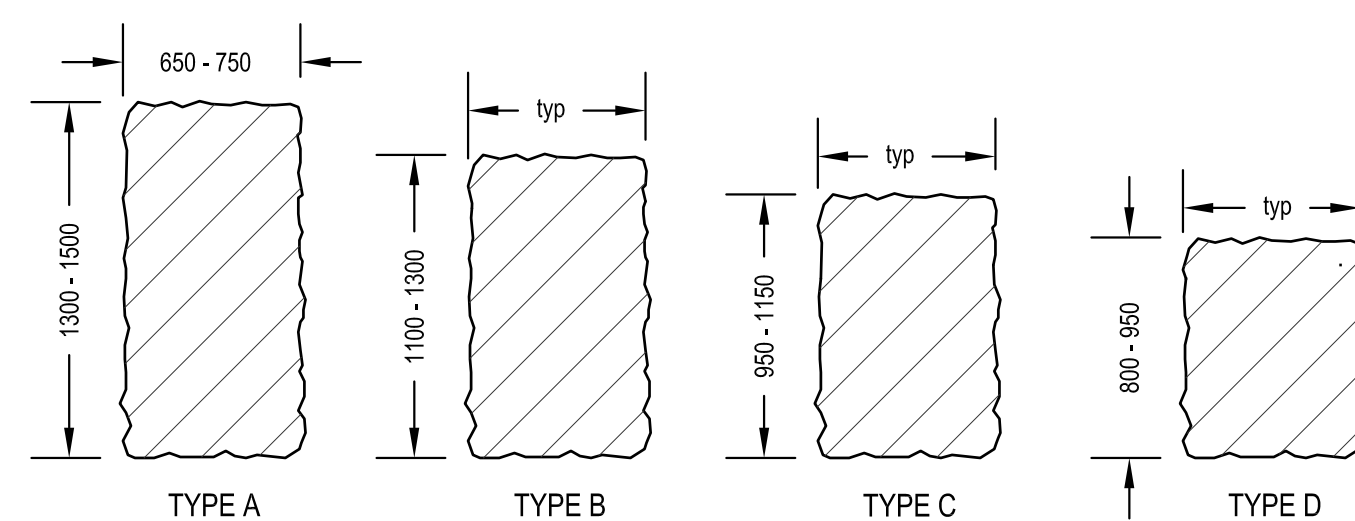
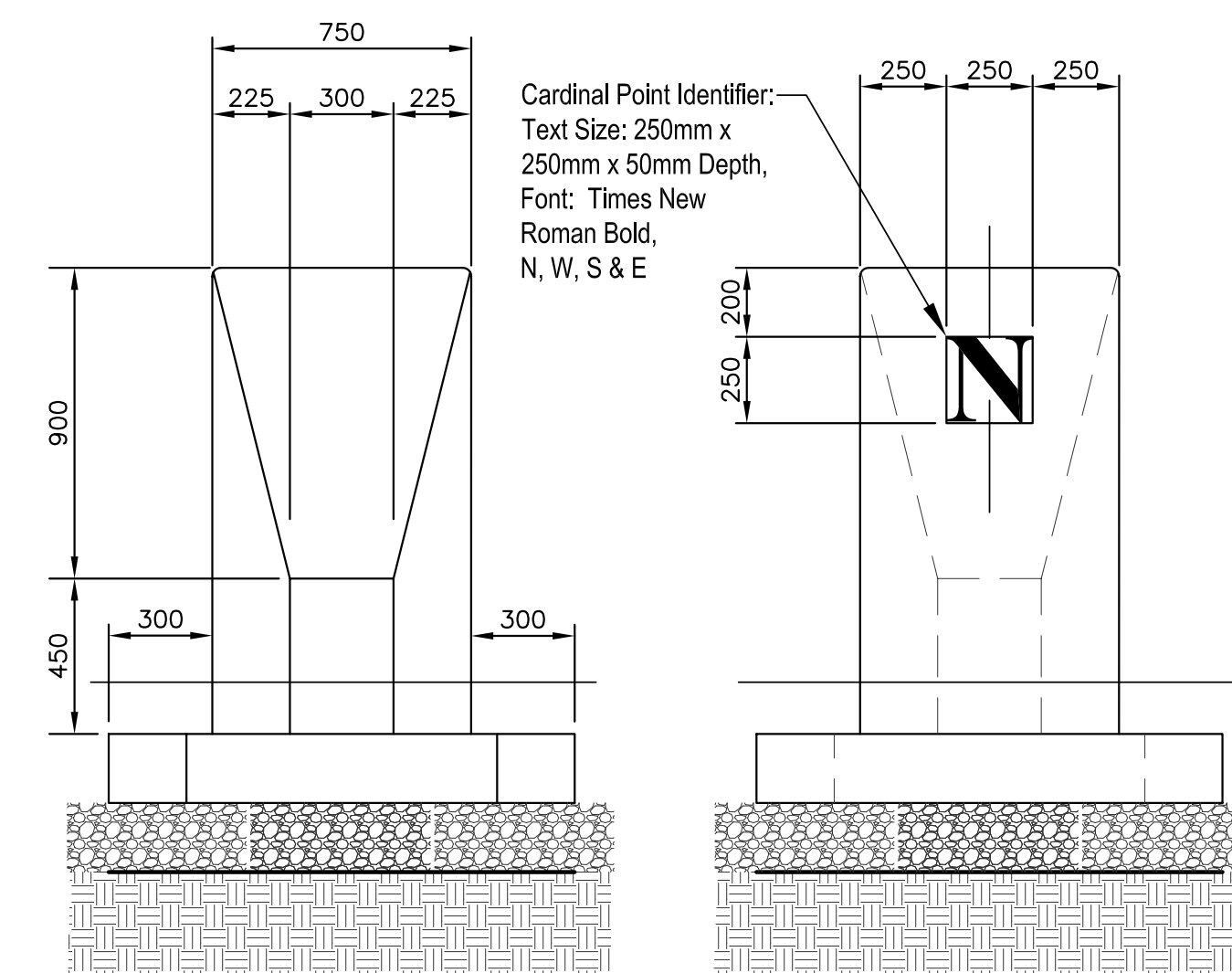
3 Orientation Node - Crushed Limestone and Sod  
L3 scale 1:10



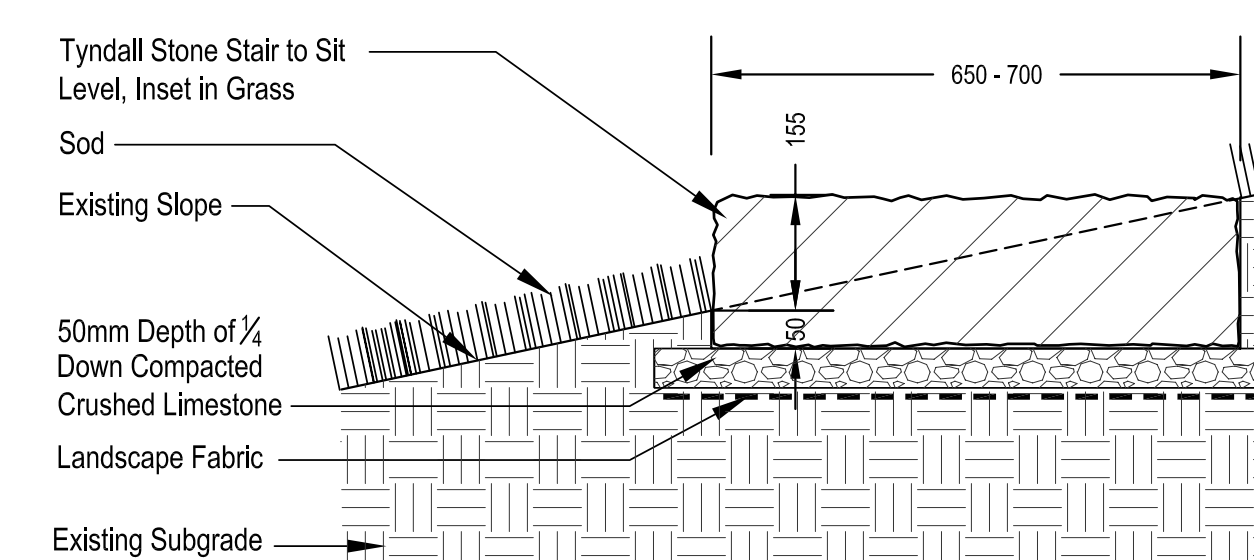
4 Cardinal Point Marker - Framing Plan  
L3 scale 1:20



5 Section 1, 2 & 3 - Cardinal Point Markers Set on Grass and Crushed Limestone  
L3 scale 1:20



6 Plan View of Tyndall Stone Stairs  
L3 scale 1:30



7 Section - Tyndall Stone Stair Set in Grass  
L3 scale 1:10

**LEGEND**

- - - Property Line
- Existing Deciduous Tree
- Existing Coniferous Tree
- ⊙ Existing Shrub
- ▨ Existing Planting Bed with Wood Chip Mulch
- ⊕ Existing Wooden Bollard and Chain Fence
- ⊖ Existing Chain Link Fence
- ⊗ New Chain Link Fence
- Existing Park Gate
- ▨ Existing Crushed Limestone Path (Width Varies 2.4m - 1.8m)
- - - Existing Dirt Trail (Width Varies)
- ▨ New Crushed Limestone Path (1.8m width)
- ▨ New Sod Areas
- Proposed Deciduous Tree
- Waste Receptacle
- Existing Gas Probe

- NOTE:**
1. Centreline of New Crushed Limestone Pathway to be Staked by Contractor and Approved by Contract Administrator prior to Construction.
  2. Contractor to Confirm Orientation of Cardinal Points Prior to Laying Out Orientation Node and Stones.
  3. Exact Location of Tyndall Stone Stairs, Tyndall Stone Seating Blocks, Orientation Stones and Cardinal Point Markers to be Determined on Site by Contract Administrator.
  4. Disturbed Grassed Areas due to Construction to be Reseeded and Made Good.
  5. Approximate Location of Top and Toe of Slope to be Confirmed on Site.

NO.	D / M / Y	DESCRIPTION	BY
REVISIONS / ISSUE			

**SCATLIFF+MILLER+MURRAY**  
landscape architecture urban design golf course design interior architecture 3d rendering

CLIENT: **CITY OF WINNIPEG**  
**Winnipeg** PLANNING, PROPERTY and DEVELOPMENT

PROJECT: **WESTVIEW PARK SITE ENHANCEMENTS**

TENDER NUMBER: **365-2004**

OWC DESCRIPTION: **SOUTH POINT & HILLTOP VIEWING AREA DETAILS**

DESIGNED BY: J.W./D.M.	DRAWN BY: J.W./C.A.
CHECKED: DKM	CHECKED: DKM
APPROVED: DKM	
SCALE: as noted	DATE: JULY 29, 2004
SHW DWG. NO.: 416	REV: L3

CLIENT PROJECT NO. \_\_\_\_\_ REV: 0