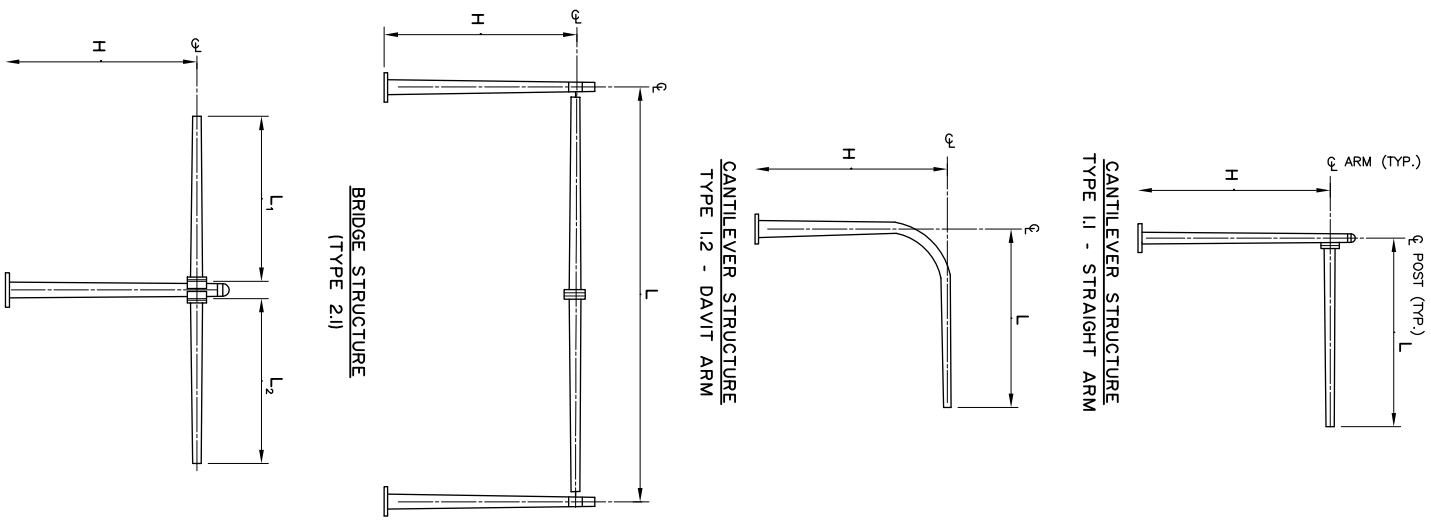


2004 PROGRAM PROPOSED WORKS



EXISTING STRUCTURE DATA						SIGN DATA			ANCHOR BOLT DATA			GENERAL DESCRIPTION OF PROPOSED WORKS	ADJACENT PROPERTY
ITEM	STRUCTURE NO.	LOCATION	TYPE	L (EST)	HT (EST)	NO.	TYPE	NO.	SIZE (MEAS)	BOLT SQ. (MEAS)	BCD (CALC)		
1	S 649	PEMBINA HWY. NB, 2ND STRUCTURE N. OF UNIVERSITY CRS.	1.1	7000	6300	1	P	8	32	-	520	<ul style="list-style-type: none"> <li>-ABANDON POWER SUPPLY (BY OTHERS)</li> <li>-SALVAGE ALL LIGHT FIXTURES C/W BRACKETS AND DELIVER TO TRAFFIC SIGNALS FOR STORAGE</li> <li>-REMOVE SIGN PANELS AND DELIVER TO TRAFFIC SERVICES FOR REPAIR/REPLACEMENT (NOTE: SIGN BRACKETS TO BE REPAIR/REPLISHED BY CONTRACTOR)</li> <li>-REMOVE EXISTING STRUCTURE AND TAKE TO SHOP</li> <li>-CONSTRUCT PILE EXTENSION AT PILE IN MEDIAN</li> <li>-MODIFY STRUCTURE-VERTICAL MEMBER IN MEDIAN TO BE SHORTENED</li> <li>-REPAIR/REPLISH EXISTING STRUCTURE AND REINSTALL</li> <li>-PICK-UP REPAIR/REPLISHED SIGN PANELS AT TRAFFIC SERVICES AND REINSTALL</li> </ul>	BLVD. - GRASS MEDIAN - N/A
2	S 651	PEMBINA HWY. SB, S. OF PLAZA DR.	2.1	21800	6300	3	P	8	52	-	560	<ul style="list-style-type: none"> <li>-ABANDON POWER SUPPLY (BY OTHERS)</li> <li>-SALVAGE ALL LIGHT FIXTURES C/W BRACKETS AND DELIVER TO TRAFFIC SIGNALS FOR STORAGE</li> <li>-REMOVE SIGN PANELS AND DELIVER TO TRAFFIC SERVICES FOR REPAIR/REPLACEMENT (NOTE: SIGN BRACKETS TO BE REPAIR/REPLISHED BY CONTRACTOR)</li> <li>-REMOVE EXISTING STRUCTURE AND TAKE TO SHOP</li> <li>-CONSTRUCT PILE EXTENSION AT PILE IN MEDIAN</li> <li>-MODIFY STRUCTURE-VERTICAL MEMBER IN MEDIAN TO BE SHORTENED</li> <li>-REPAIR/REPLISH EXISTING STRUCTURE AND REINSTALL</li> <li>-PICK-UP REPAIR/REPLISHED SIGN PANELS AT TRAFFIC SERVICES AND REINSTALL</li> </ul>	BLVD. - CONC. SIDEWALK MEDIAN - GRASS
3	S 652	PEMBINA HWY. NB, N. OF CHANCELLOR DR.	2.1	19400	6300	2	P	8	50	-	550	<ul style="list-style-type: none"> <li>-ABANDON POWER SUPPLY (BY OTHERS)</li> <li>-SALVAGE ALL LIGHT FIXTURES C/W BRACKETS AND DELIVER TO TRAFFIC SIGNALS FOR STORAGE</li> <li>-REMOVE SIGN PANELS AND DELIVER TO TRAFFIC SERVICES FOR REPAIR/REPLACEMENT (NOTE: SIGN BRACKETS TO BE REPAIR/REPLISHED BY CONTRACTOR)</li> <li>-REMOVE EXISTING STRUCTURE AND TAKE TO SHOP</li> <li>-CONSTRUCT PILE EXTENSION AT PILE IN BOULEVARD</li> <li>-MODIFY STRUCTURE-VERTICAL MEMBER IN BLVD. TO BE SHORTENED</li> <li>-REPAIR/REPLISH EXISTING STRUCTURE AND REINSTALL</li> <li>-PICK-UP REPAIR/REPLISHED SIGN PANELS AT TRAFFIC SERVICES AND REINSTALL</li> </ul>	BLVD. - GRASS MEDIAN - GRASS
4	S 659	BISHOP GRANDIN BLVD. WB, 3RD STRUCTURE EAST OF PEMBINA HWY.	2.1	18000	6300	2	P	8	32	-	520	<ul style="list-style-type: none"> <li>-ABANDON POWER SUPPLY (BY OTHERS)</li> <li>-SALVAGE ALL LIGHT FIXTURES C/W BRACKETS AND DELIVER TO TRAFFIC SIGNALS FOR STORAGE</li> <li>-REMOVE SIGN PANELS AND DELIVER TO TRAFFIC SERVICES FOR REPAIR/REPLACEMENT (NOTE: SIGN BRACKETS TO BE REPAIR/REPLISHED BY CONTRACTOR)</li> <li>-REMOVE EXISTING STRUCTURE AND TAKE TO SHOP</li> <li>-CONSTRUCT PILE EXTENSION AT PILE IN BOULEVARD</li> <li>-MODIFY STRUCTURE-VERTICAL MEMBER IN BLVD. TO BE SHORTENED</li> <li>-REPAIR/REPLISH EXISTING STRUCTURE AND REINSTALL</li> <li>-PICK-UP REPAIR/REPLISHED SIGN PANELS AT TRAFFIC SERVICES AND REINSTALL</li> </ul>	BLVD. - GRASS MEDIAN - GRASS

NOTES

- 1. CITY OF WINNIPEG TRAFFIC SIGNALS BRANCH LOCATED AT 821 ELGIN AVE. CONTACT BOB CHOCHANOV. TEL. NO. (204) 986-4198
- 2. CITY OF WINNIPEG TRAFFIC SERVICES BRANCH LOCATED AT 421 OSBORNE ST. CONTACT JEAN BELAIR. TEL. NO. (204) 986-5940

TYPES OF OVERHEAD SIGN STRUCTURES

DESIGNED BY: S.S.R.	ENGINEER'S SEAL			CONSULTANT PROJECT NO. <b>04-3144-1000</b>	THE CITY OF WINNIPEG PUBLIC WORKS DEPARTMENT OVERHEAD SIGN SUPPORT STRUCTURE MAINTENANCE WORKS 2004 PROGRAM	CITY DRAWING NUMBER OHS-04-03 SHEET 3 OF 7
DRAWN BY: K.C.	CHECKED BY: S.S.R.					
APPROVED BY:	SCALE: HORIZ. AS SHOWN	DATE:				
DATE: JULY 2004	VERT. SCALE:					
AUTHORIZED BY:						