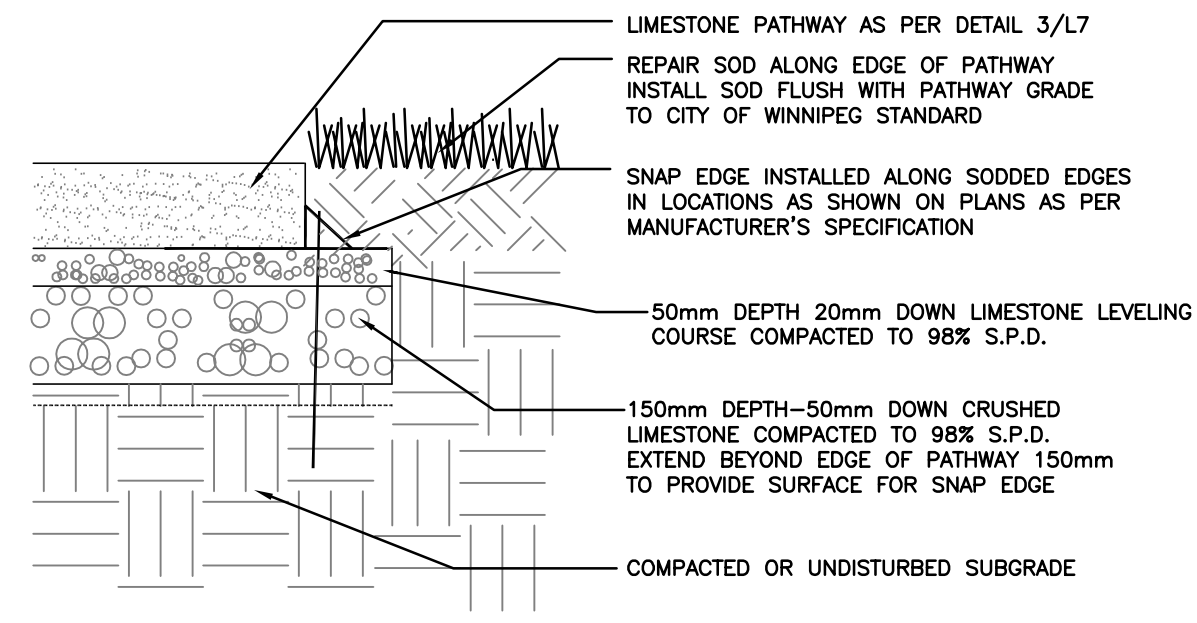
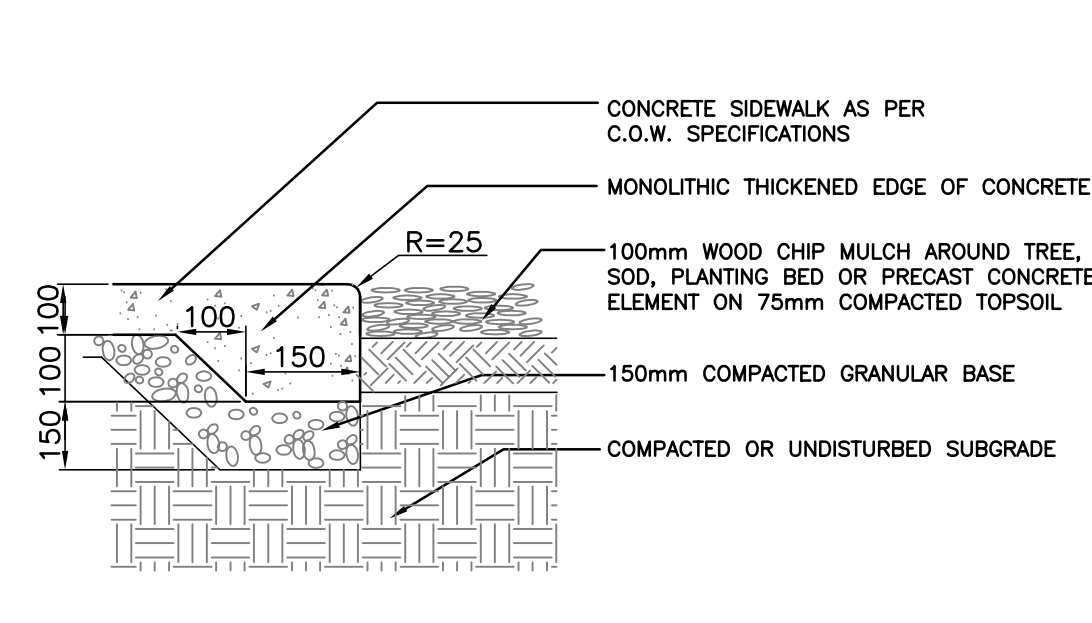


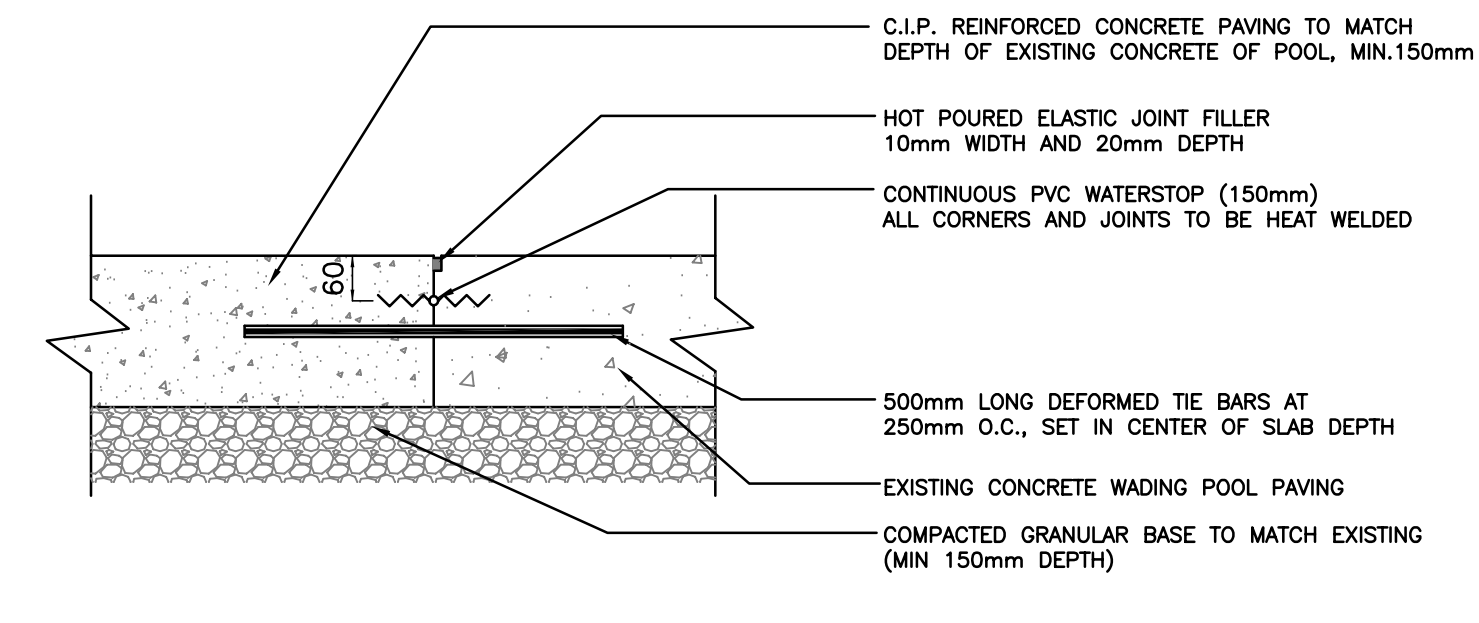
3 CRUSHED LIMESTONE PATHWAY
 L2 N.T.S.



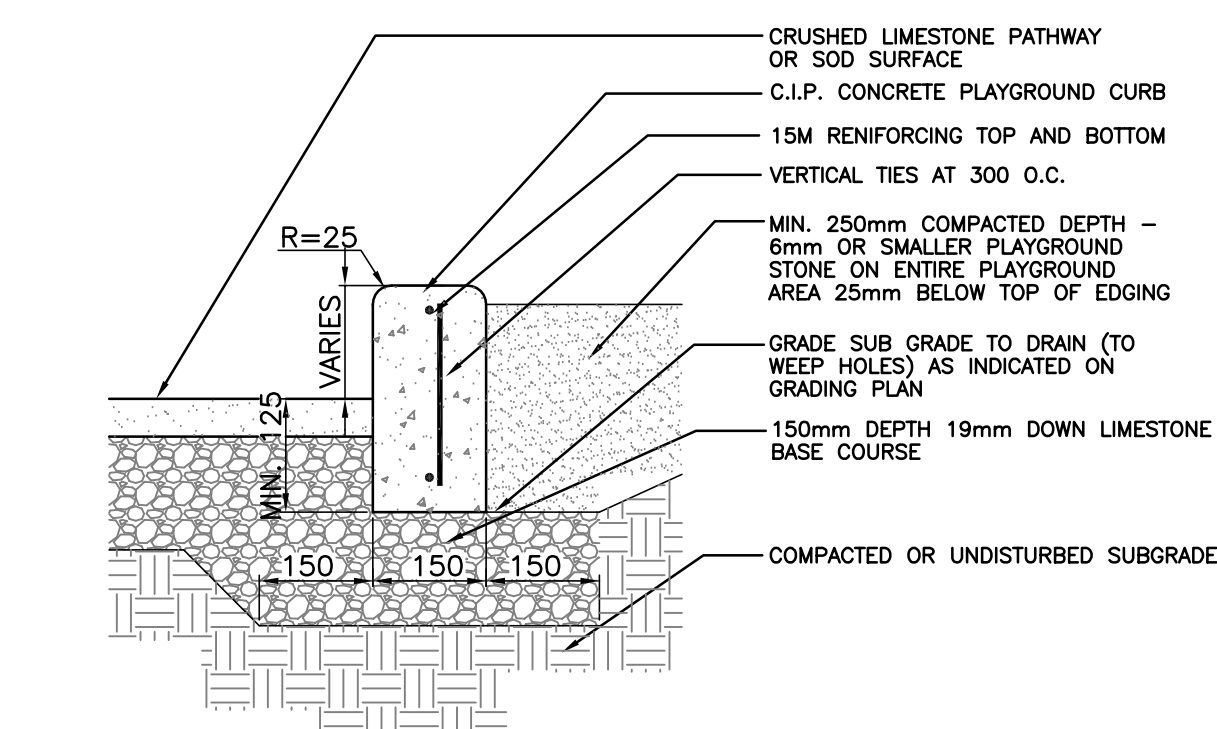
4 SNAP EDGE
 L2 N.T.S.



5 THICKENED EDGE OF SIDEWALK
 L2 N.T.S.

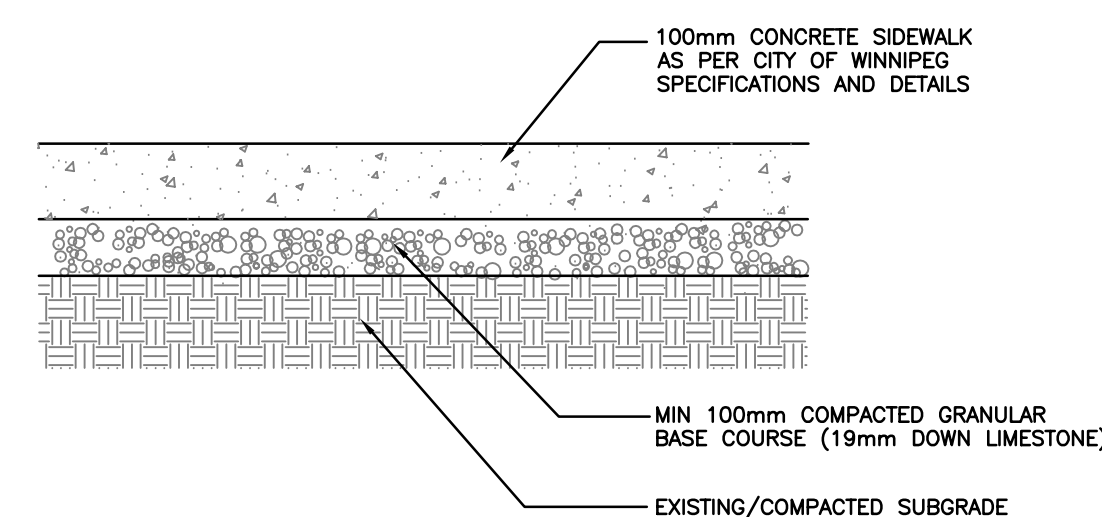


6 TIE JOINT IN CONCRETE POOL - BOYD PARK
 L2 N.T.S.



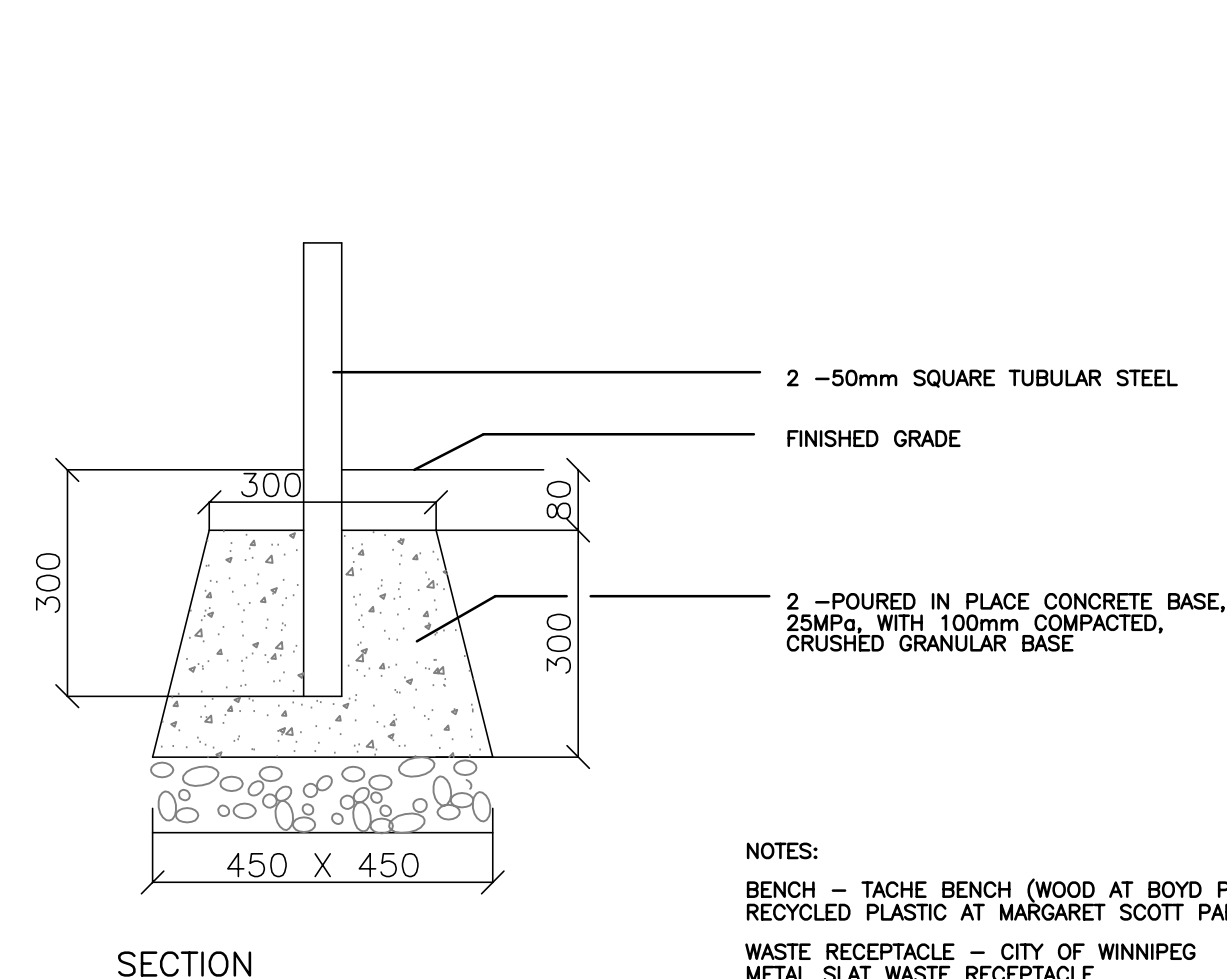
NOTE:
 50mm # WEEP HOLES 600mm O.C. REQUIRED ON NORTH AND NORTHWEST SIDES OF PLAYGROUND AT BOTH BOYD PARK AND MARGARET SCOTT PARK RESPECTIVELY WHERE EXTERIOR GROUND LEVEL MEETS PLAYGROUND SUBGRADE LEVEL. INSTALL FILTER CLOTH ALONG LENGTH OF CURB WITH WEEP HOLES

7 C.I.P. CONCRETE PLAYGROUND CURB
 L2 N.T.S.



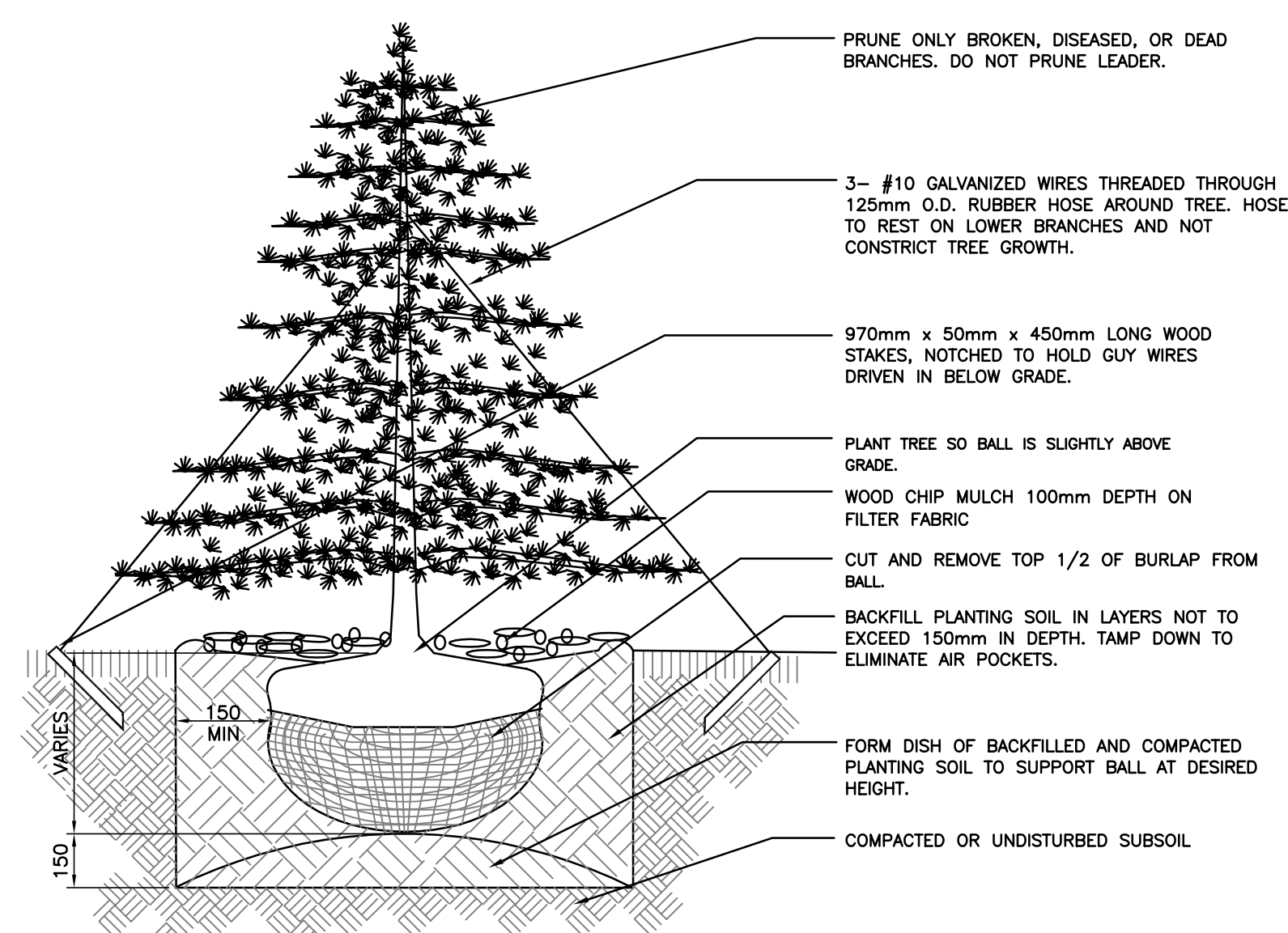
NOTE:
 CONTRACTOR TO SUPPLY AND INSTALL CONTINUOUS FIBRE-FILLED BITUMINOUS JOINT AROUND ALL FENCE POSTS IN CONCRETE SIDEWALK, CONCRETE FOUNDATIONS AND PRECAST CONCRETE ELEMENTS JOINTS AS PER CITY OF WINNIPEG SPECIFICATIONS.

8 CONCRETE SIDEWALK
 L2 N.T.S.

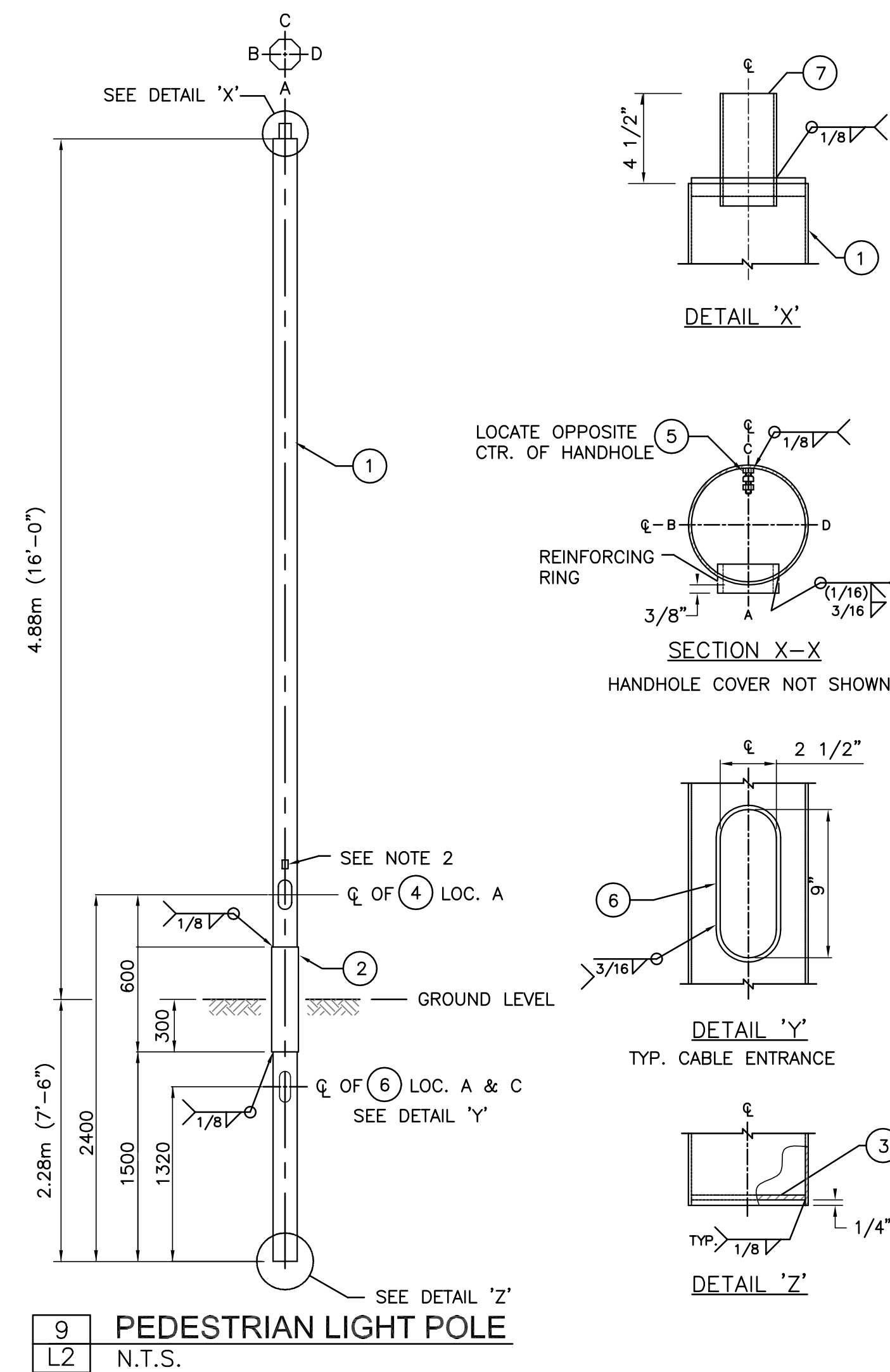


NOTES:
 BENCH - TACHE BENCH (WOOD AT BOYD PARK, RECYCLED PLASTIC AT MARGARET SCOTT PARK)
 WASTE RECEPTACLE - CITY OF WINNIPEG METAL SLAT WASTE RECEPTACLE
 REFER TO SPECIFICATIONS
 WHERE BENCH IS LOCATED IN LIMESTONE WALKWAY - WALKWAY TO BE COMPACTED AROUND BASE OF BENCH AS PER WRITTEN SPECIFICATIONS
 FOR ALL PICNIC TABLES IN SOD, SUPPLY AND INSTALL GALVANIZED PIPE STAKE AND CAP WITH PIVOT ANCHORING SYSTEM. REFER TO WRITTEN SPECIFICATION.
 FOR PICNIC TABLES AND BENCHES ON CONCRETE SIDEWALK, SUPPLY AND INSTALL SURFACE MOUNTED BOLTED ANCHORING SYSTEM

10 CONCRETE FOOTING FOR BENCHES AND WASTE RECEPTACLES
 L2 N.T.S.



11 TYPICAL CONIFEROUS TREE PLANTING
 L12 N.T.S.



9 PEDESTRIAN LIGHT POLE
 L2 N.T.S.

POST MOUNTED LUMINAIRE, P.E.C. - SDL VP80-240V-150 S C/W 150W HPS LAMP AND 8 GUARDS. POWDER COATED, COLOR BLACK, C/W MATCHING TENON. REFER TO ELECTRICAL PLANS E1, E2.

| ITEM No. | No. REPR'D | DESCRIPTION | MATERIAL | DWG. No. |
|----------|------------|--|---|----------|
| 1 | 1 | 5" ROUND SHAFT | HSS 5" OD. | |
| 2 | 1 | 5" INSIDE DIAMETER GROUND SLEEVE | HSS 5" ID | |
| 3 | 1 | BEARING PLATE 2 3/4" x 4 13/16" | 7GA A570 GR.50 | |
| 4 | 1 | 4 x 7 HANDHOLE C/W COVER | C/W 1 1/2" WIDE x 1/4" REINFORCING RING | |
| 5 | 1 | GROUND BOLT ASS'Y. 3/8"-16UNC x 1"LG. | C/W NUT - STEEL PLATED & ALUMINUM TERMINAL WASHER | |
| 6 | 2 | REINFORCING RING 1" x 21 7/16" DEV. LG. | 7GA A570 GR. 50 | |
| 7 | 1 | PIPE TENON 2" I.P.S.(2 3/8"O.D.) x 6"LG. | A53 GR.B SCH.40 | |

FINISH: POWDER COAT, COLOR BLACK
 NOTES:
 1. ALL WELDING SHALL CONFORM TO C.S.A. STANDARD W59 AND SHALL BE PERFORMED BY WELDERS AND WELDING OPERATORS QUALIFIED UNDER C.S.A. STANDARD W47.1
 2. C.S.A. & IDENTIFICATION STICKER.
 3. REFER TO ELECTRICAL PLANS (E1 + E2) AND SPECIFICATION FOR FIXTURE SCHEDULE

| No. | Revisions | Date | By |
|-----|-------------------|----------|----|
| 1 | ISSUED FOR TENDER | 12/08/04 | SR |
| 0 | ISSUED FOR REVIEW | 28/07/04 | SR |

Date: 11-08-04 Scale: AS NOTED
 Designed By: JW/SR Drawn By: JW/IG Checked By: SR

Seals

 M c G O W A N · R U S S E L L
 Client
 CITY OF WINNIPEG

Project Title
BURROWS CENTRAL PARK RENOVATION PROJECTS



Sheet Title
BOYD AND MARGARET SCOTT PARK DETAILS
 Project No. 04-012 Drawing No. L7