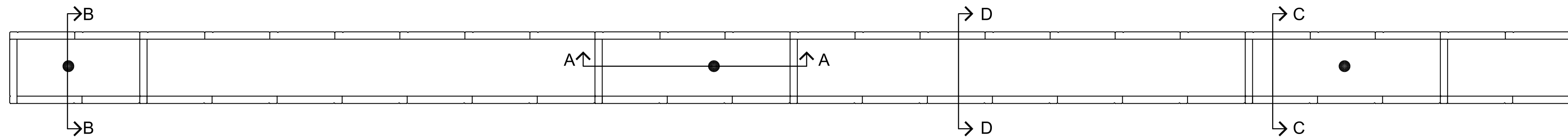
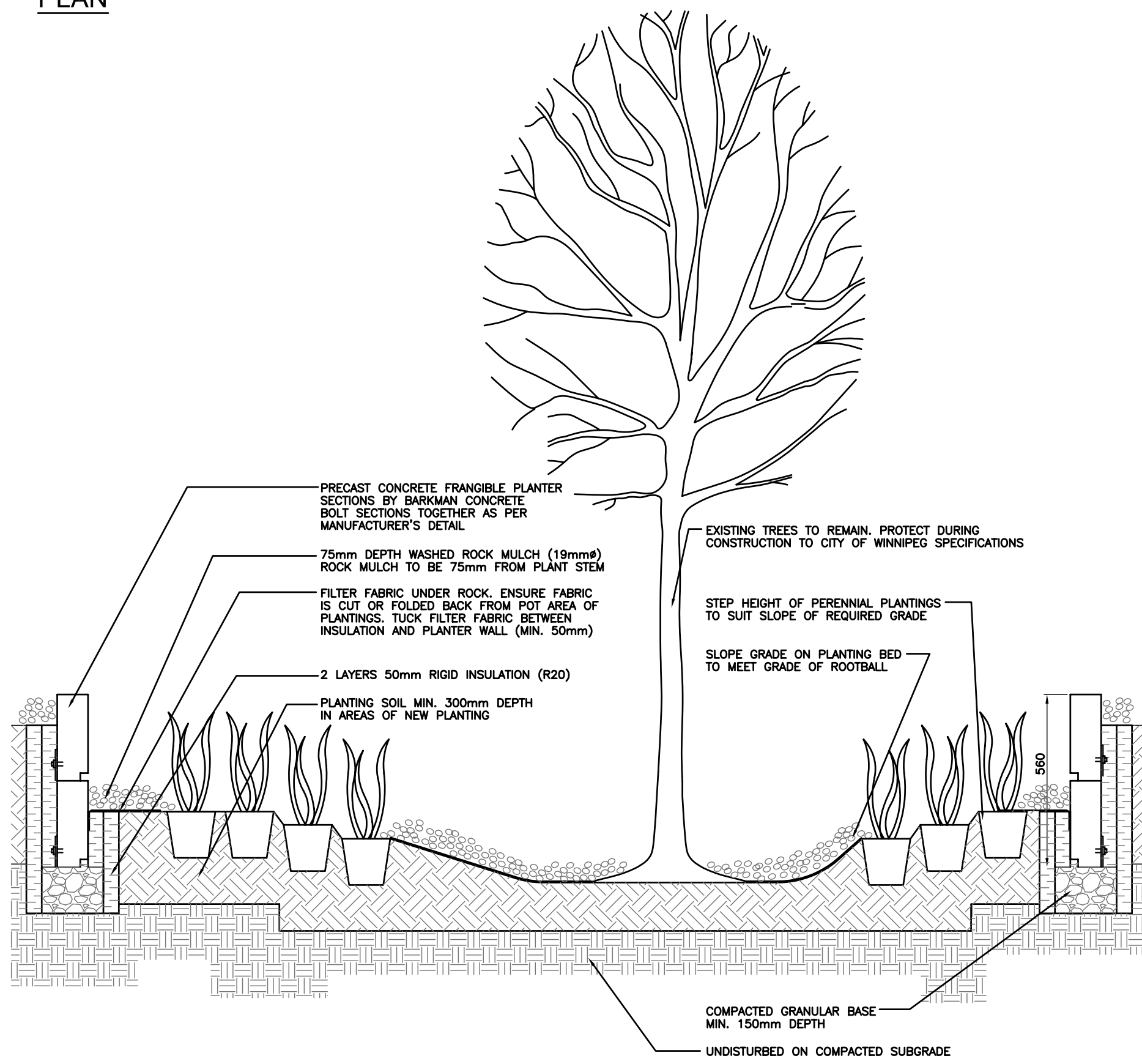


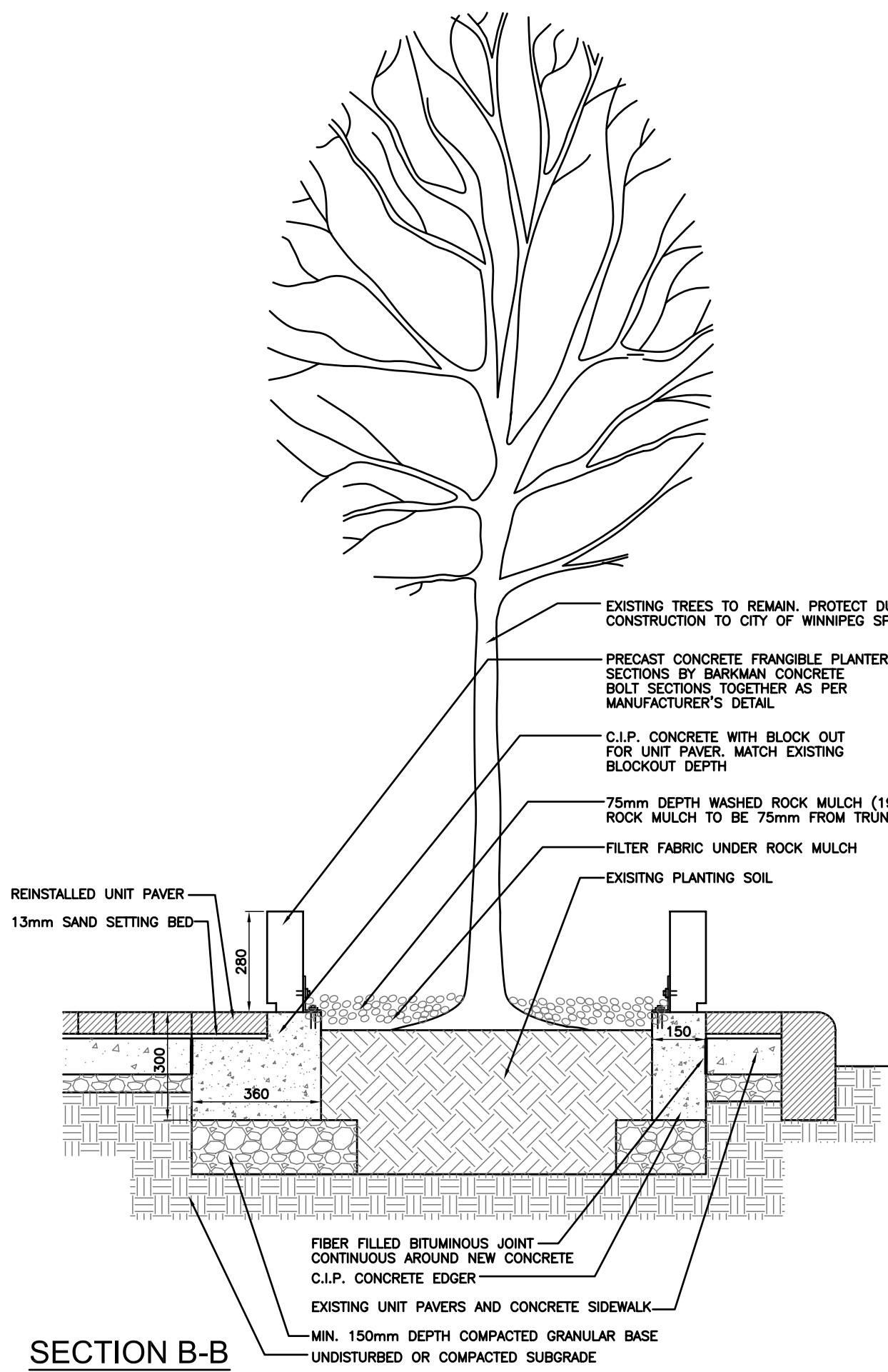
ELEVATION



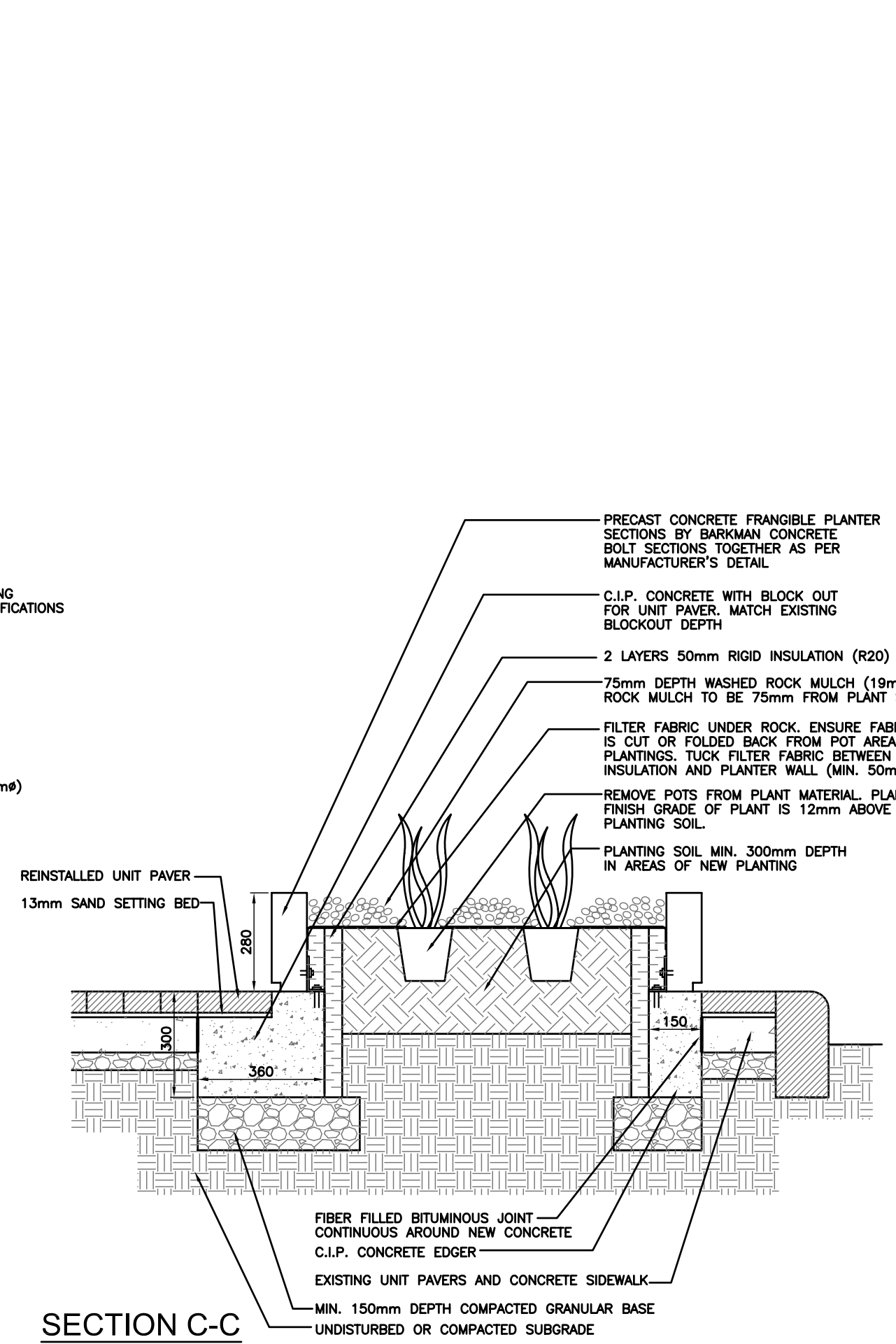
PLAN



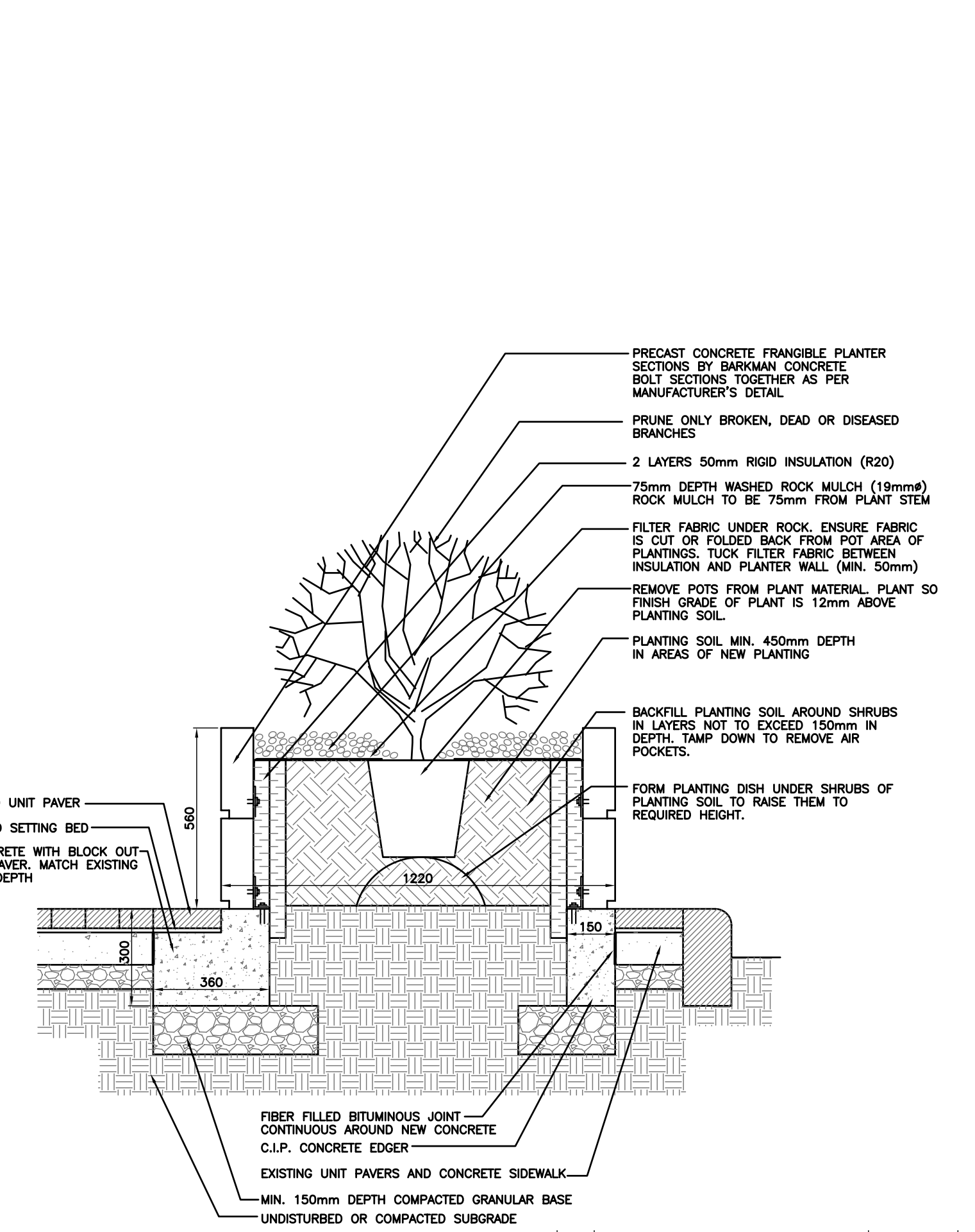
SECTION A-A



SECTION B-B

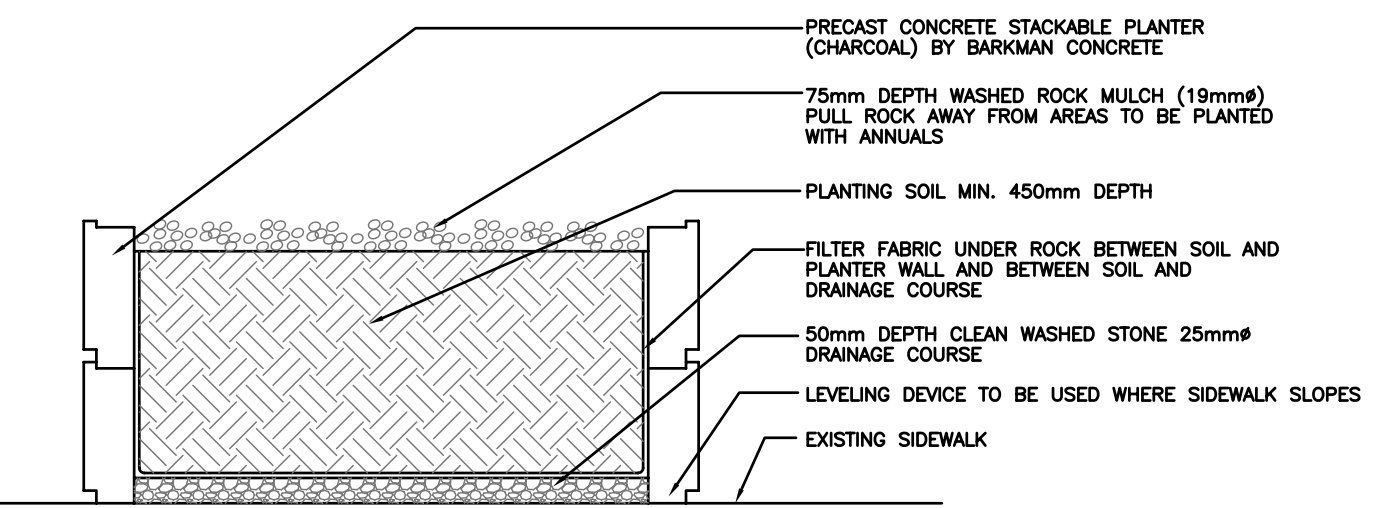


SECTION C-C

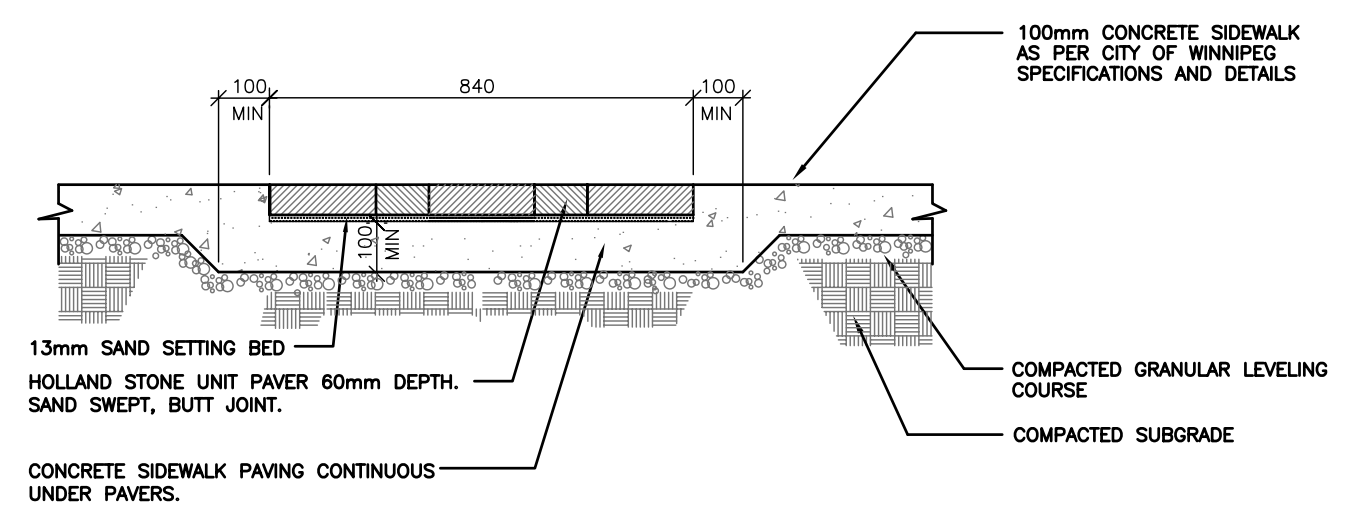


SECTION D-D

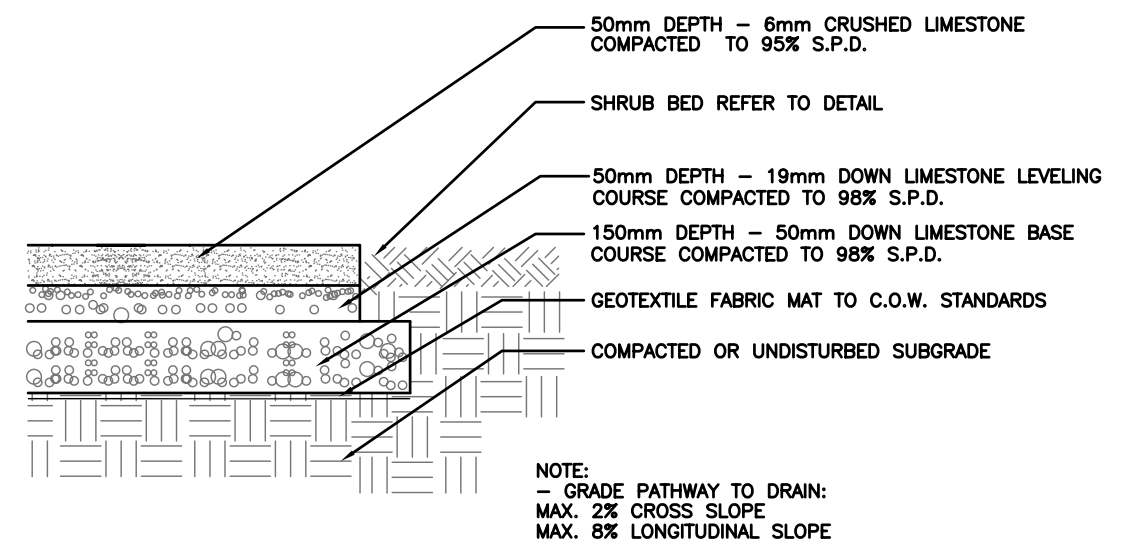
7 SPECIALTY PLANTER
L2 N.T.S.



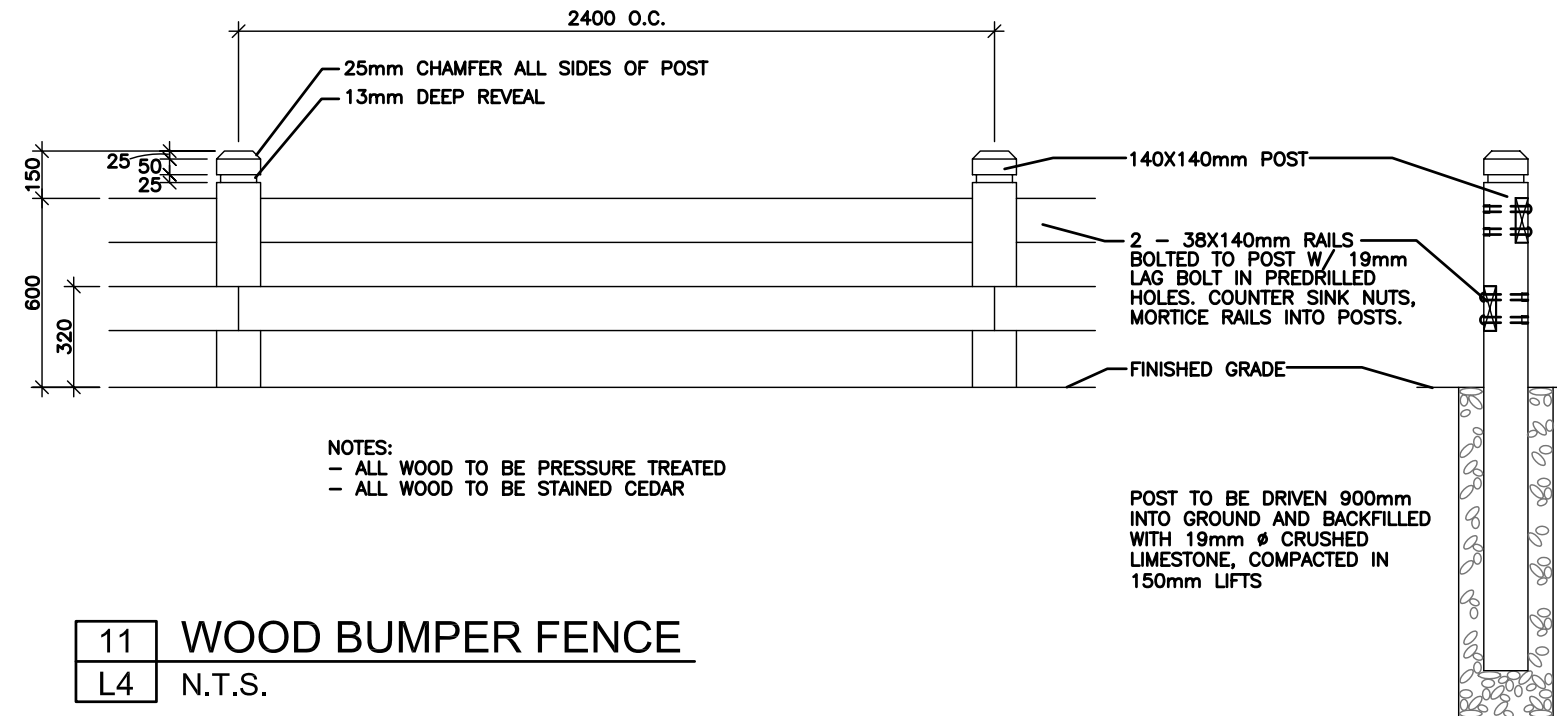
8 STACKABLE PLANTERS
L2 N.T.S.



9 CONCRETE SIDEWALK WITH UNIT PAVER INSERT
L4 N.T.S.



10 LIMESTONE PAVING
L4 N.T.S.



11 WOOD BUMPER FENCE
L4 N.T.S.

No.	Revisions	Date	By
30-07-04	NTS		
Designed By	Drawn By	Checked By	
JW	JW	AR	



Client
TRANSIT
WINNIPEG

Project Title
**INNOVATIVE TRANSIT
PROJECTS - BUS STOP
IMPROVEMENTS**

Sheet Title
DETAILS