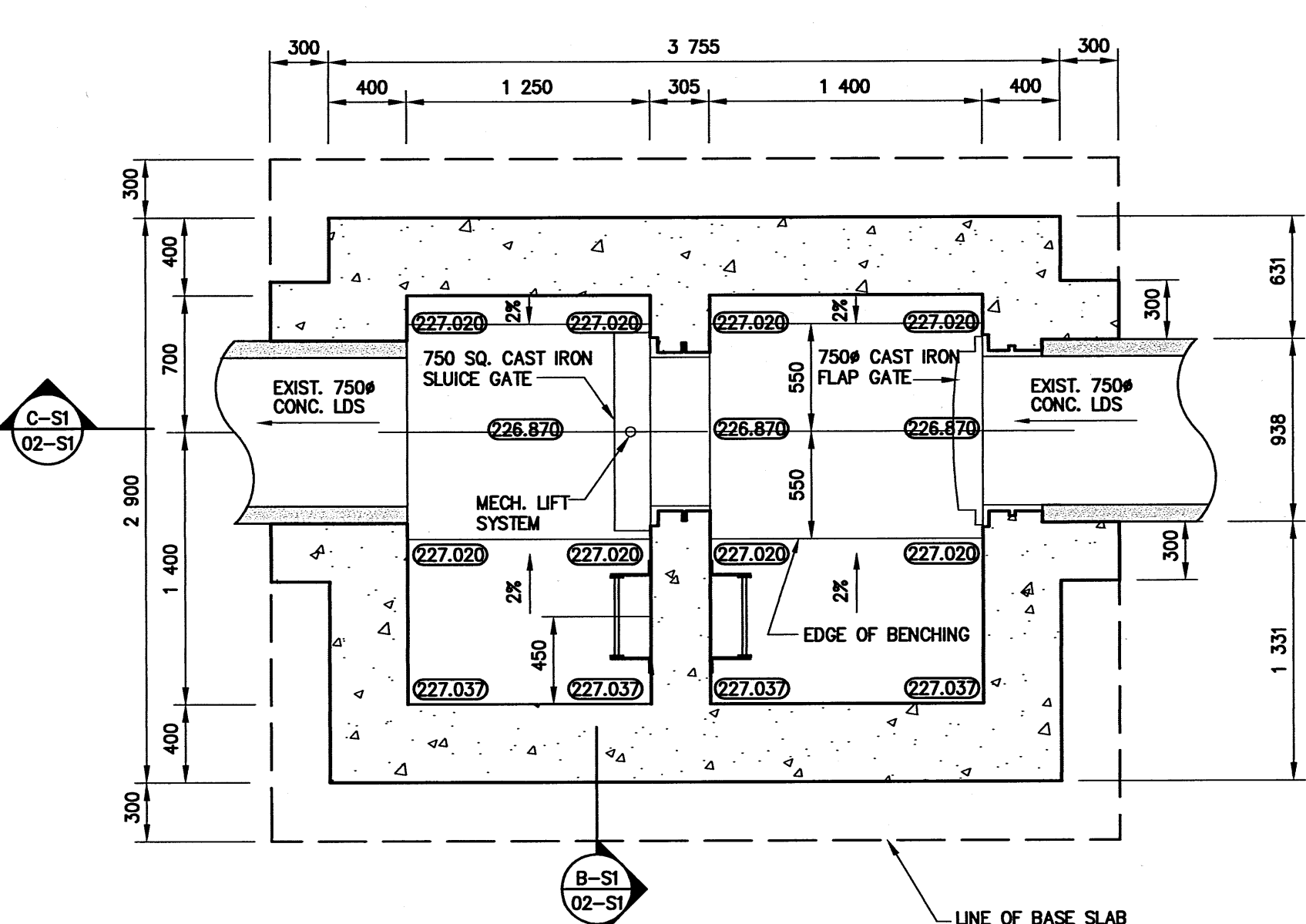
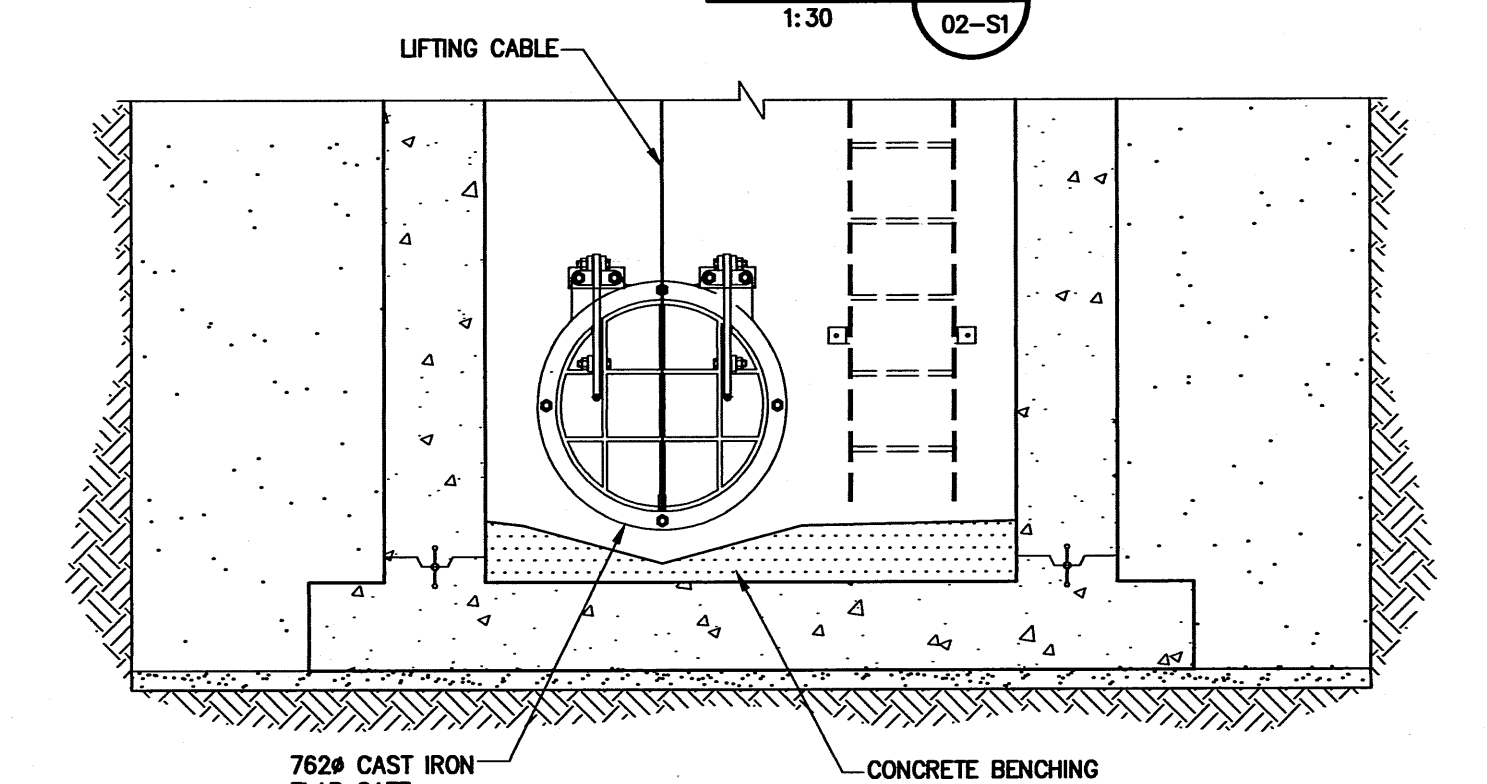


ROOF PLAN
1:30
SEE DETAIL 4 ON DRAWING NO. LD-3044

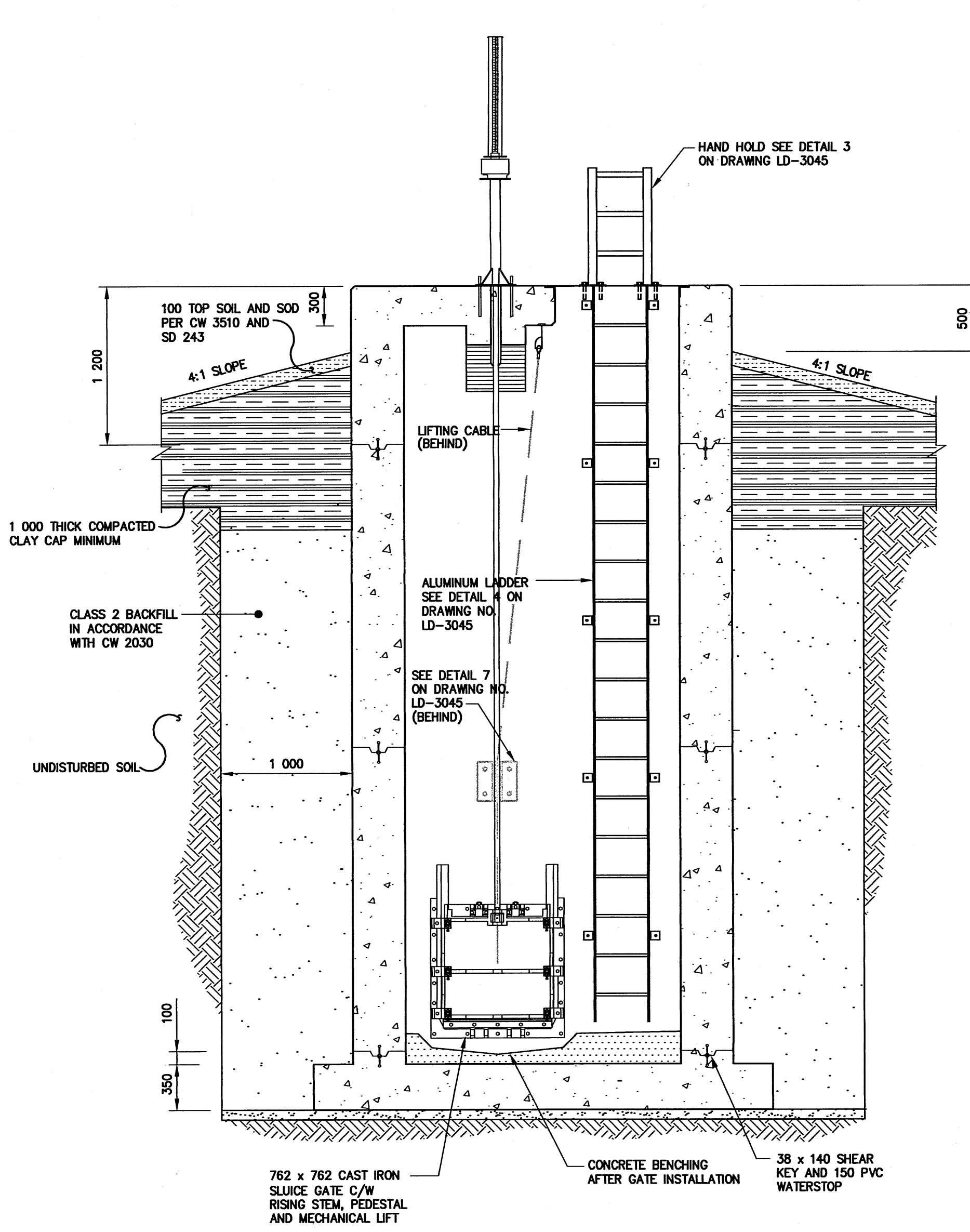
* DIMENSION MAY VARY BASED ON SLUICE GATE SUPPLIER



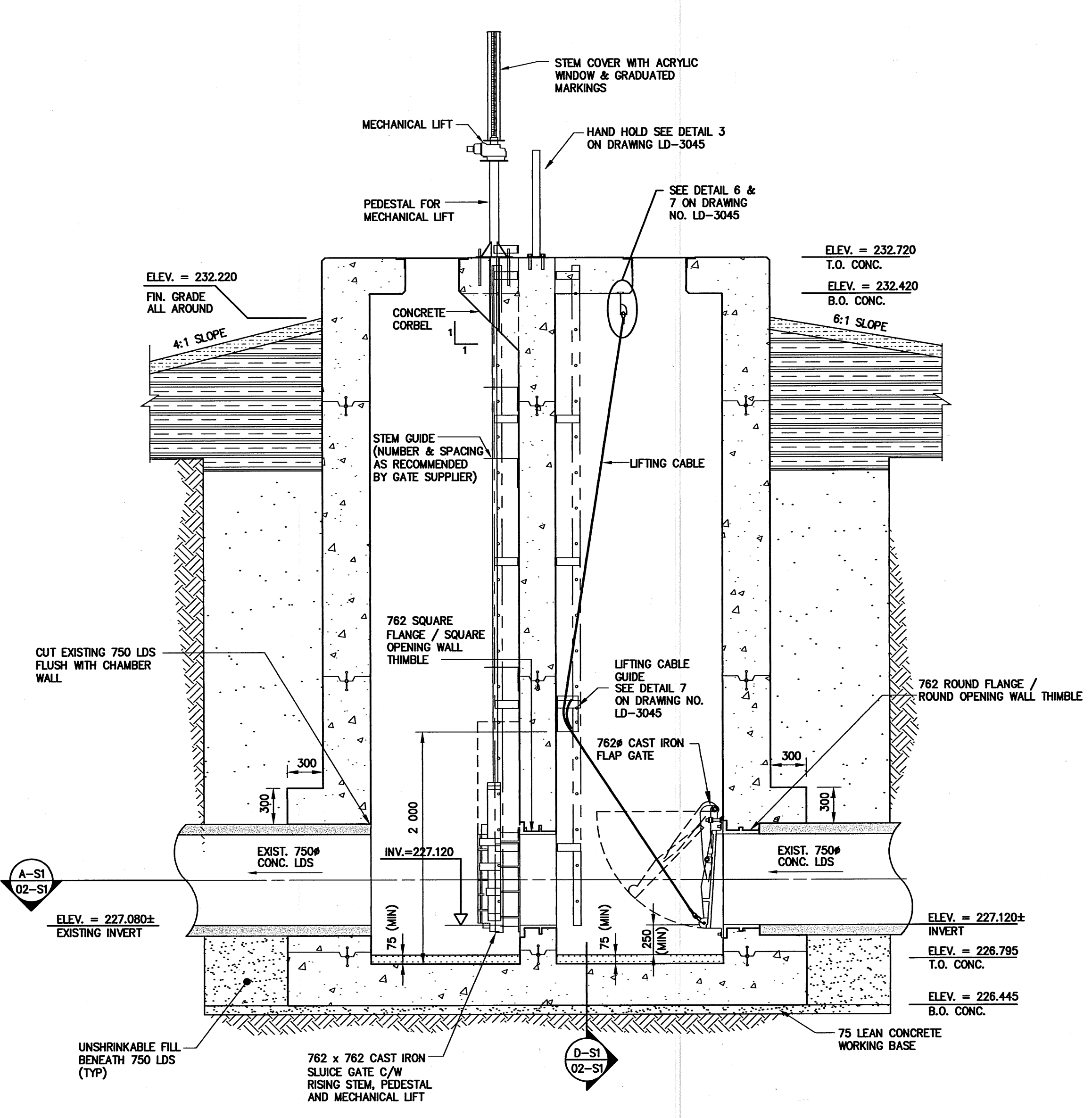
SECTION A-S1
1:30



SECTION D-S1
1:30



SECTION B-S1
1:30



SECTION C-S1
1:30

NOTE: CONTRACTOR SHALL CONFIRM ACTUAL PIPE INVERT AND NOTIFY CONTRACT ADMINISTRATOR OF ANY DISCREPANCY WITH THE INVERTS SHOWN. GROUNDWATER ELEVATION REPORTED AT ELEVATION 217.0 ON COMPLETION OF DRILLING AND AT ELEVATION 223.07 ON FEBRUARY 13, 2004, (FIVE WEEKS AFTER DRILLING), BY KGS GROUP.

GENERAL NOTES:

- DESIGN IS IN ACCORDANCE WITH THE NATIONAL BUILDING CODE OF CANADA 1995 EDITION PLUS 1998 MANITOBA AMENDMENTS. CONCRETE WALLS ARE DESIGNED IN ACCORDANCE WITH THE RECOMMENDATIONS CONTAINED IN ACI 308R FOR WATER TIGHT STRUCTURES.
- EXCAVATE ALL TOP SOIL, ORGANIC MATERIAL AND LOOSE OR UNSUITABLE FILL TO THE APPROVAL OF THE CONTRACT ADMINISTRATOR.
- CONSTRUCTION JOINT LOCATIONS ARE TO BE APPROVED BY THE CONTRACT ADMINISTRATOR.
- DO NOT SCALE THE DRAWINGS.
- VERIFY ALL DIMENSIONS, ELEVATIONS AND SCOPE OF WORK PRIOR TO COMMENCEMENT OF CONSTRUCTION.
- VERIFY ALL MECHANICAL OPENINGS.
- VERIFY ANY MAJOR OPENINGS THAT ARE REQUIRED BUT NOT SHOWN ON THE DRAWINGS WITH THE CONTRACT ADMINISTRATOR.
- STRUCTURAL DRAWINGS SHOW THE COMPLETED STRUCTURE. THEY DO NOT SHOW THE COMPONENTS WHICH MAY BE NECESSARY FOR SAFETY DURING CONSTRUCTION.
- THE CONTRACTOR IS RESPONSIBLE FOR SAFETY IN AND ABOUT THE JOB SITE DURING CONSTRUCTION.
- IF ANY UNSOUND STRUCTURAL CONDITIONS ARE OBSERVED OR CREATED DURING CONSTRUCTION, REPORT THEM IMMEDIATELY TO THE CONTRACT ADMINISTRATOR.
- STRUCTURAL DRAWINGS MAY NOT SHOW ALL MECHANICAL OPENINGS. REFER TO MECHANICAL DRAWINGS FOR ACTUAL LOCATIONS AND ELEVATIONS OF OPENINGS. NOTIFY CONTRACT ADMINISTRATOR OF ANY ADDITIONAL OPENING REQUIREMENTS.
- DESIGN LOADS ARE AS NOTED BELOW:
 FLOOR LIVE LOADS:
 HATCHES 3.6 kPa
 ALL OTHER AREAS 3.6 kPa
 ROOF LOADS:
 SNOW LOAD 1.6 kPa PLUS APPLICABLE NBC MODIFICATIONS.
 WIND LOAD $q(1/30)$ 0.42 kPa
 FOUNDATION WALL LOADS:
 LIVE LOAD 6.0 kPa PLUS ADDITIONAL CONSTRUCTION LOAD
 $P = K(\gamma_{soil} \times H + q)$
 WHERE $K = 0.7$, $\gamma_{soil} = 20 \text{ kN/m}^3$, $q = 6 \text{ kPa}$,
 $H = \text{HT. OF FILL (m)}$
- DESIGN FLOOD LEVELS:
 300 YEAR FLOOD: 232.720
 FLOOD PROTECTION: 231.520

NOTE: These design documents are prepared solely for the use by the party with whom the design professional has entered into a contract and there are no representations of any kind made by the design professional to any party with whom the design professional has not entered into a contract.

APEGM
Certificate of Authorization
ND LEA Engineers & Planners Inc.
No. 2728 Expiry: April 30, 2005

FOUNDATIONS:

- TO BE READ IN CONJUNCTION WITH CW 2160 AND AS AMENDED IN ACCORDANCE WITH THESE NOTES. GEOTECHNICAL INVESTIGATION BY KGS GROUP.
- CAST IN PLACE CONCRETE:
 1. TO BE READ IN CONJUNCTION WITH CW 2160 AND AS AMENDED IN ACCORDANCE WITH THESE NOTES.
 2. CONCRETE WORK SHALL BE IN ACCORDANCE WITH THE LATEST EDITION OF CSA A23.1.
 3. CONCRETE MIX SHALL BE IN ACCORDANCE WITH ALTERNATIVE 1, AND SHALL HAVE THE FOLLOWING PROPERTIES:
 I. CEMENT TYPE 50
 II. CLASS OF EXPOSURE: S-1
 III. MINIMUM COMPRESSIVE STRENGTH AT 28 DAYS: 35MPa
 IV. MAXIMUM COARSE AGGREGATE: 20mm
 V. MAXIMUM SLUMP: 90mm ± 20mm
 VI. AIR CONTENT: 5 - 8%
 VII. MINIMUM CEMENT CONTENT: 335 kg/m³
 VIII. MAXIMUM CEMENT/WATER RATIO: 0.40
 4. CONCRETE COVER SHALL BE 50mm.
 5. CHAMFER ALL EXTERIOR CORNERS: 20mm
 6. FORMWORK, SHORING AND BRACING SHALL MEET DESIGN CODE AND CSA A23.1 REQUIREMENTS, AND BE CONSTRUCTED ACCURATELY SO THAT RESULTANT FINISHED CONCRETE CONFORMS TO THE SHAPES, LINES AND DIMENSIONS INDICATED ON THE DRAWINGS.
 7. FOR COLD WEATHER CONCRETING, ALL ICE, SNOW AND FROST SHALL BE REMOVED FROM THE FORMWORK AND THE TEMPERATURE OF ALL CONTACT SURFACES INCLUDING REINFORCING STEEL SHALL BE RAISED ABOVE 10C FOR AT LEAST 24 HOURS PRIOR TO CASTING CONCRETE. CONCRETE SHALL NOT BE LESS THAN 20C NOR MORE THAN 30C WHEN DEPOSITED. CONCRETE SHALL BE ENCLOSED, AND THIS AREA SHALL HAVE A TEMPERATURE OF NOT LESS THAN 20C FOR 3 DAYS AND NOT LESS THAN 5C FOR AN ADDITIONAL 4 DAYS.
 8. THREE CONCRETE TEST CYLINDERS AND ONE SLUMP/AIR TEST SHALL BE TAKEN EACH DAY THAT CONCRETE IS PLACED, AND SHALL BE REPEATED FOR EVERY 20 CUBIC METRES OF CONCRETE PLACED EACH DAY UNLESS OTHERWISE DIRECTED BY THE CONTRACT ADMINISTRATOR.
 9. NOTIFY THE CONTRACT ADMINISTRATOR OR TESTING AGENCY 48 HOURS PRIOR TO PLACING CONCRETE.

REINFORCING STEEL:

- TO BE READ IN CONJUNCTION WITH CW 2160 AND AS AMENDED IN ACCORDANCE WITH THESE NOTES.
- ALL REINFORCING STEEL SHALL CONFORM TO CSA G30.18M, GRADE 400.
- PERFORM CONCRETE REINFORCING WORK IN ACCORDANCE WITH CSA A23.1.
- LAPS SHALL BE AT LEAST 40 BAR DIAMETERS, LOCATE REINFORCING SPLICES NOT INDICATED IN THE DRAWINGS AT POINTS OF MINIMUM STRESS.
- BEFORE PLACING CONCRETE, ENSURE REINFORCING IS CLEAN, FREE OF LOOSE SCALE, DIRT OR OTHER FOREIGN MATTER THAT WOULD REDUCE OR PREVENT BOND TO THE CONCRETE.
- SHOP DRAWINGS SHALL BE SUBMITTED WHICH CLEARLY INDICATE BAR SIZES, SPACINGS, LOCATIONS AND QUANTITIES OF REINFORCING STEEL.
- COPIES OF STRUCTURAL DRAWINGS WILL NOT BE ACCEPTED FOR USE AS SHOP DRAWINGS.

STRUCTURAL STEEL:

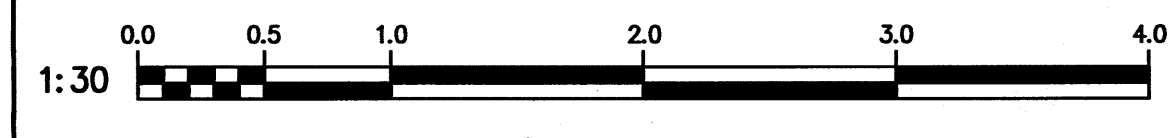
- ALL STRUCTURAL STEEL SHAPES AND PLATES SHALL BE IN ACCORDANCE WITH CSA G40.21-M, GRADE 300W, EXCEPT W, HP AND HSS SECTIONS WHICH SHALL BE GRADE 350W CLASS C.
- ALL GALVANIZING SHALL COMPLY WITH THE LATEST EDITION OF CSA G164, WITH MINIMUM ZINC COATING OF 600g/m². TOUCH UPS TO BE MADE WITH GALVALLOY OR GAL-VIZ.
- ALL BOLTS TO BE ASTM A316 STAINLESS STEEL, UNLESS OTHERWISE INDICATED.

OTHER NOTES:

- LOCATION AND SEWER DETAILS ARE SHOWN ON DRAWING NO. LD-3034
- ALL ALUMINUM IN CONTACT WITH CONCRETE SHALL BE PAINTED WITH BITUMINOUS ISOLATION COATING AT THE ALUMINUM / CONCRETE INTERFACE

A = DETAIL/SECTION No.
B = DRAWING WHERE SHOWN
C = DRAWING WHERE TAKEN

Apr 24, 2004 - 3:16pm
 P:\14320 - 41333\14333_2004 Outfall Gate Chamber Upgrade\Drawings\DL\Leo Drawings\WIP\Bishop Grandin\41333_02_S1_Conc.dwg - sub10.dwg



METRIC
WHOLE NUMBERS INDICATE MILLIMETRES
DECIMALIZED NUMBERS INDICATE METRES

DESIGNED BY: MH		CHECKED BY: JPL	
DRAWN BY: RCS		APPROVED BY: [Signature]	
HOR. SCALE: AS SHOWN		RELEASED FOR CONSTRUCTION: [Signature]	
VERTICAL: AS SHOWN		DATE: 4/9/04	
NO.	REVISIONS	DATE	BY
1	-	-	-

ENGINEER'S SEAL
MAHA
 REGISTERED PROFESSIONAL ENGINEER
 BID OPPORTUNITY 416-2004
 PLOT DATE: 04 08 23

THE CITY OF WINNIPEG
 WATER AND WASTE DEPARTMENT
2004 OUTFALL GATE CHAMBER UPGRADES
BISHOP GRANDIN
LDS OUTFALL GATE CHAMBER
 CONCRETE DETAILS

CONSULTANT DRAWING NUMBER: 41333-02-S1
 SHEET 2 OF 12
 CITY DRAWING NUMBER: LD-3035