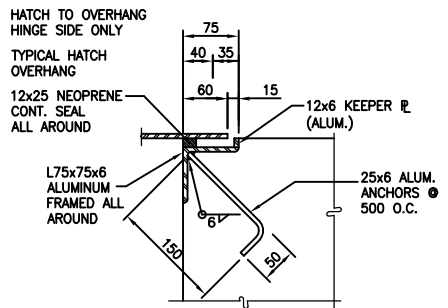
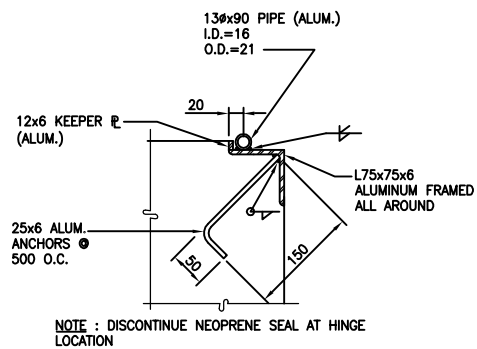


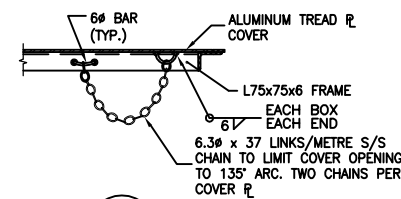
**A HATCH COVER BOLT DOWN SECTION**  
1:5



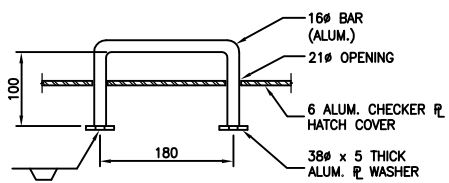
**B HATCH SUPPORT SECTION**  
1:5



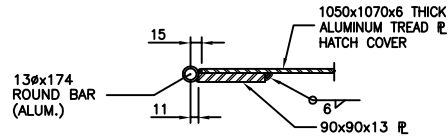
**C SECTION**  
1:5



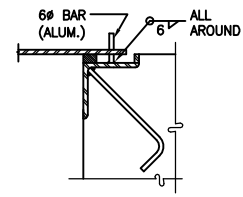
**D SECTION**  
1:10



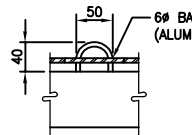
**E SECTION**  
1:5



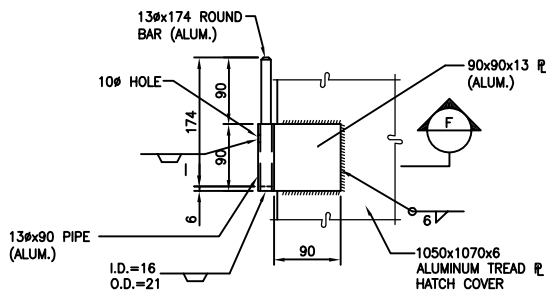
**F SECTION**  
1:5



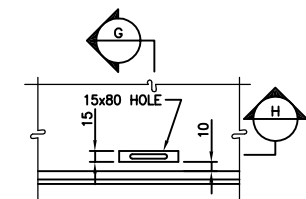
**G SECTION**  
1:5



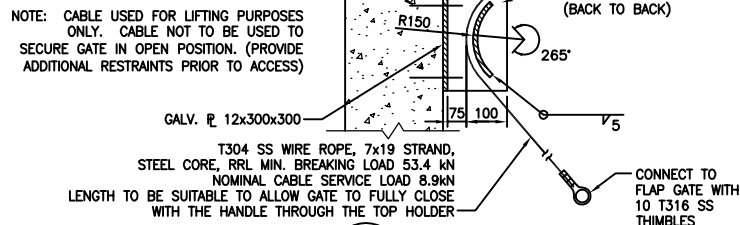
**H SECTION**  
1:5



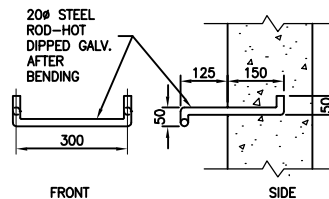
**I DETAIL**  
1:5



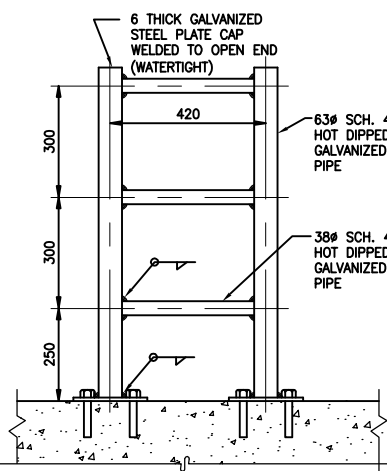
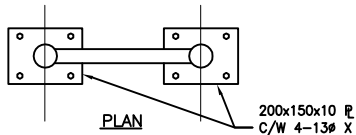
**J HATCH LOCK HASP PLAN**  
1:5



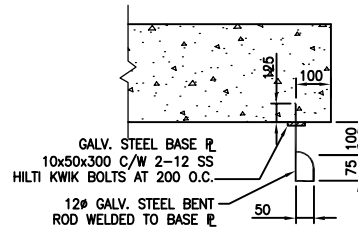
**K DETAIL**  
N.T.S.



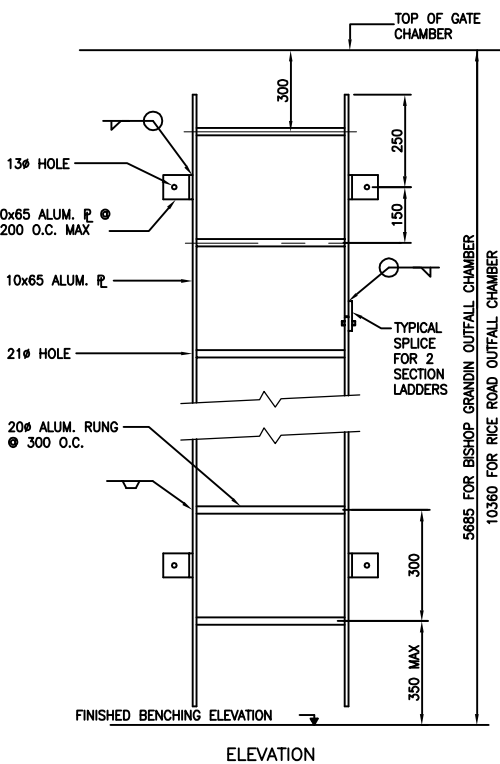
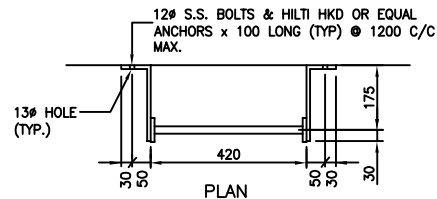
**L TYPICAL LADDER RUNG DETAIL**  
1:10



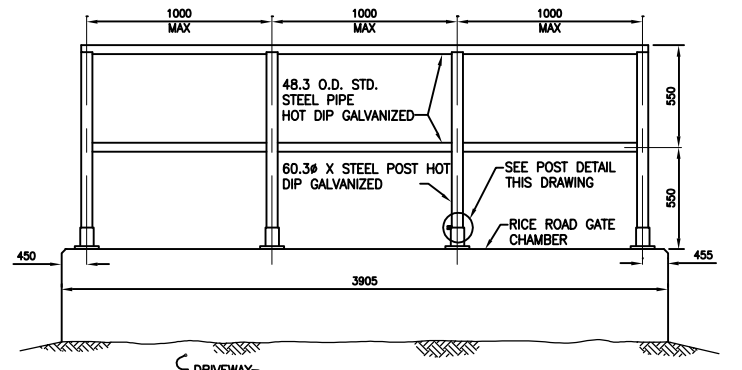
**N LADDER DETAIL**  
1:10



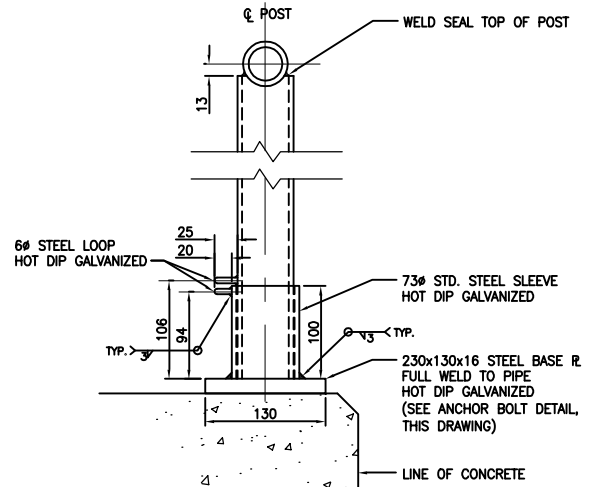
**O DETAIL**  
N.T.S.



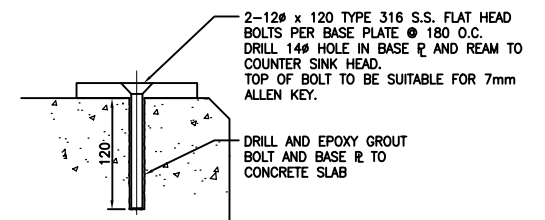
**Q LADDER DETAIL**  
1:10



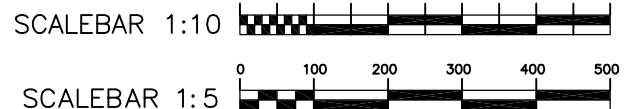
**R REMOVABLE SAFETY RAIL DETAIL**  
1:20



**S POST DETAIL**  
1:4



**T ANCHOR BOLT DETAIL**  
1:4



NO.	DATE	REVISIONS

**LOCATION APPROVED UNDERGROUND STRUCTURES**  
DATE SUPV. U/G STRUCTURES COMMITTEE  
NOTE: LOCATION OF UNDERGROUND STRUCTURES AS SHOWN ARE BASED ON THE BEST INFORMATION AVAILABLE BUT NO GUARANTEE IS GIVEN THAT ALL EXISTING UTILITIES ARE SHOWN OR THAT THE GIVEN LOCATIONS ARE EXACT. CONTRIBUTION OF EXISTENCE AND EXACT LOCATION OF ALL SERVICES MUST BE OBTAINED FROM THE INDIVIDUAL UTILITIES BEFORE PROCEEDING WITH CONSTRUCTION.

**CITY OF WINNIPEG WATER AND WASTE ENGINEERING DIVISION**  
DESIGNED BY DGS CHECKED BY TW  
DRAWN BY WKT APPROVED BY KZ  
HOR. SCALE: AS VERTICAL: SHOWN  
DATE 2004.09.01

ENGINEER'S SEAL  
ORIGINAL SIGNED BY K.R. ZUREK 04/09/03  
BIO OPPORTUNITY: 416-2004  
PLOT DATE: 2004 09 03

**THE CITY OF WINNIPEG WATER AND WASTE DEPARTMENT**  
Winnipeg  
2004 OUTFALL GATE CHAMBER UPGRADES  
BISHOP GRANDIN BLVD & RICE ROAD  
LDS OUTFALL GATE CHAMBER HATCH DETAILS

SHEET 12 OF 12  
CAD FILE DRAWING NUMBER LD-3045.dwg  
CITY DRAWING NUMBER LD-3045

NOTE: ALL NUTS, BOLTS AND FASTENERS TO BE TYPE 316 STAINLESS STEEL  
METRIC  
WHOLE NUMBERS INDICATE MILLIMETRES  
DECIMALIZED NUMBERS INDICATE METRES