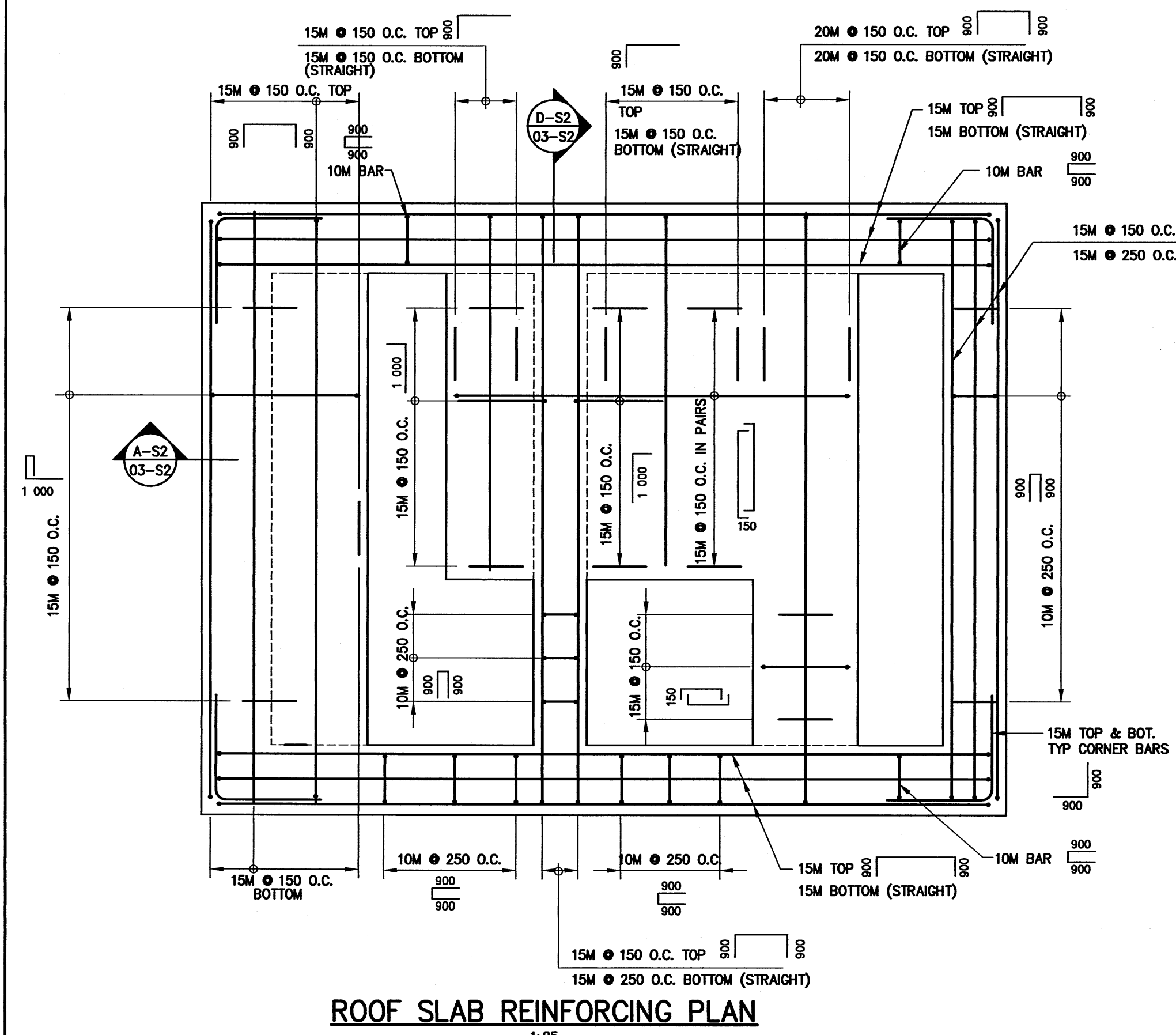
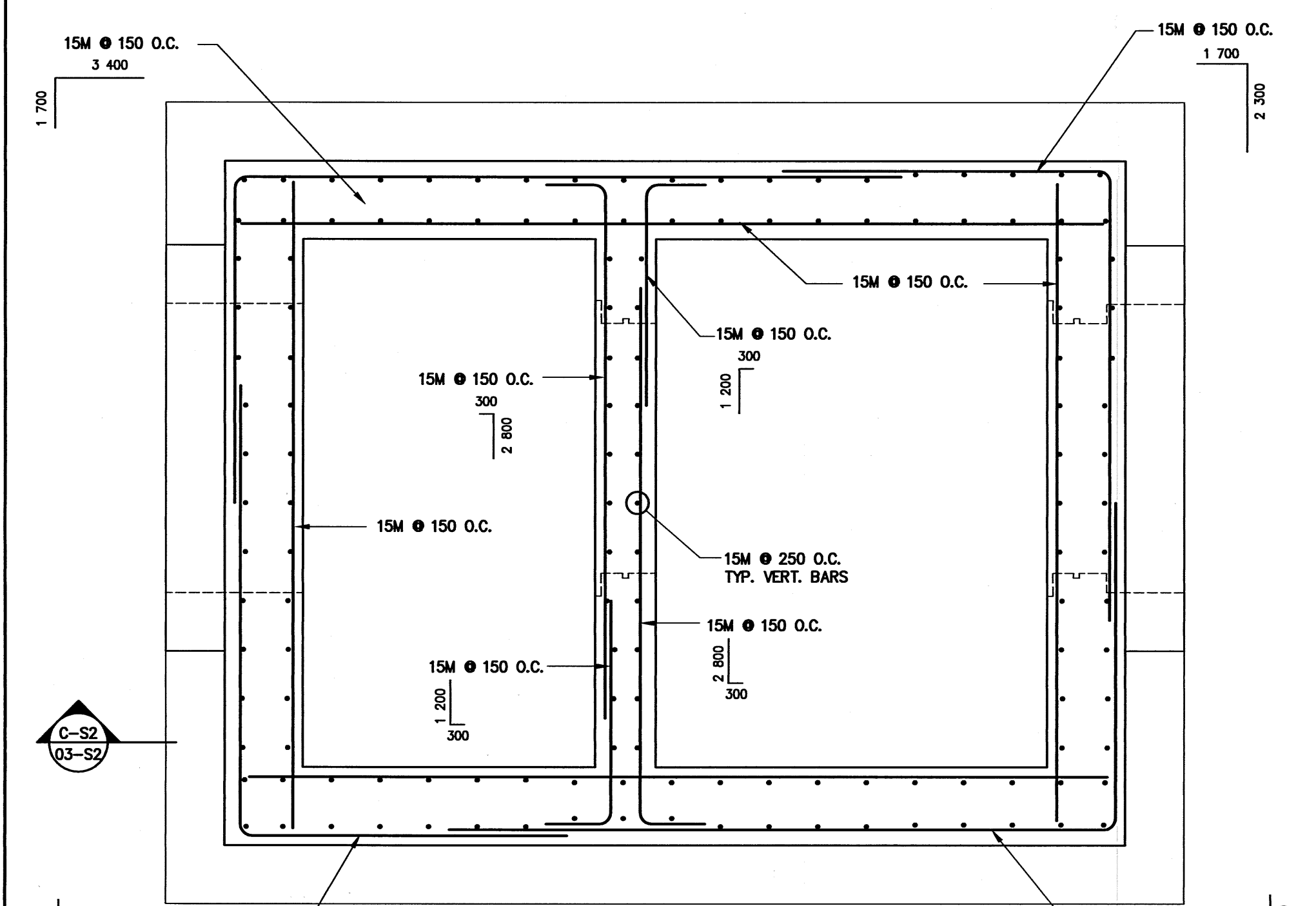


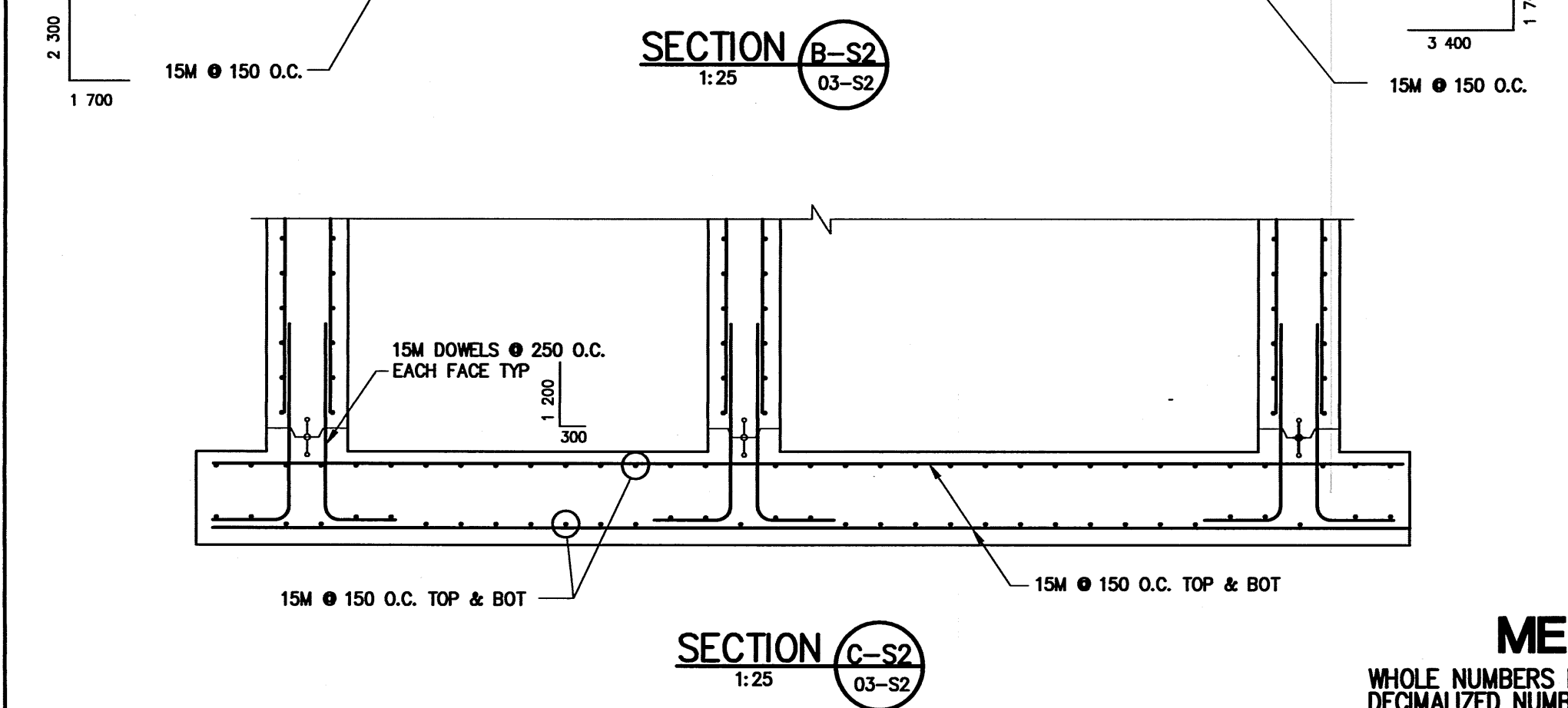
AUG 24, 2004 - 3:28PM  
 P:\41330 - 41330 V1332 2004 Outfall Gate Chamber Upgrade\Drawings\WIP\La Verendrye\41333 03 S2 Reinforcing.dwg - Job: VERENDRYE



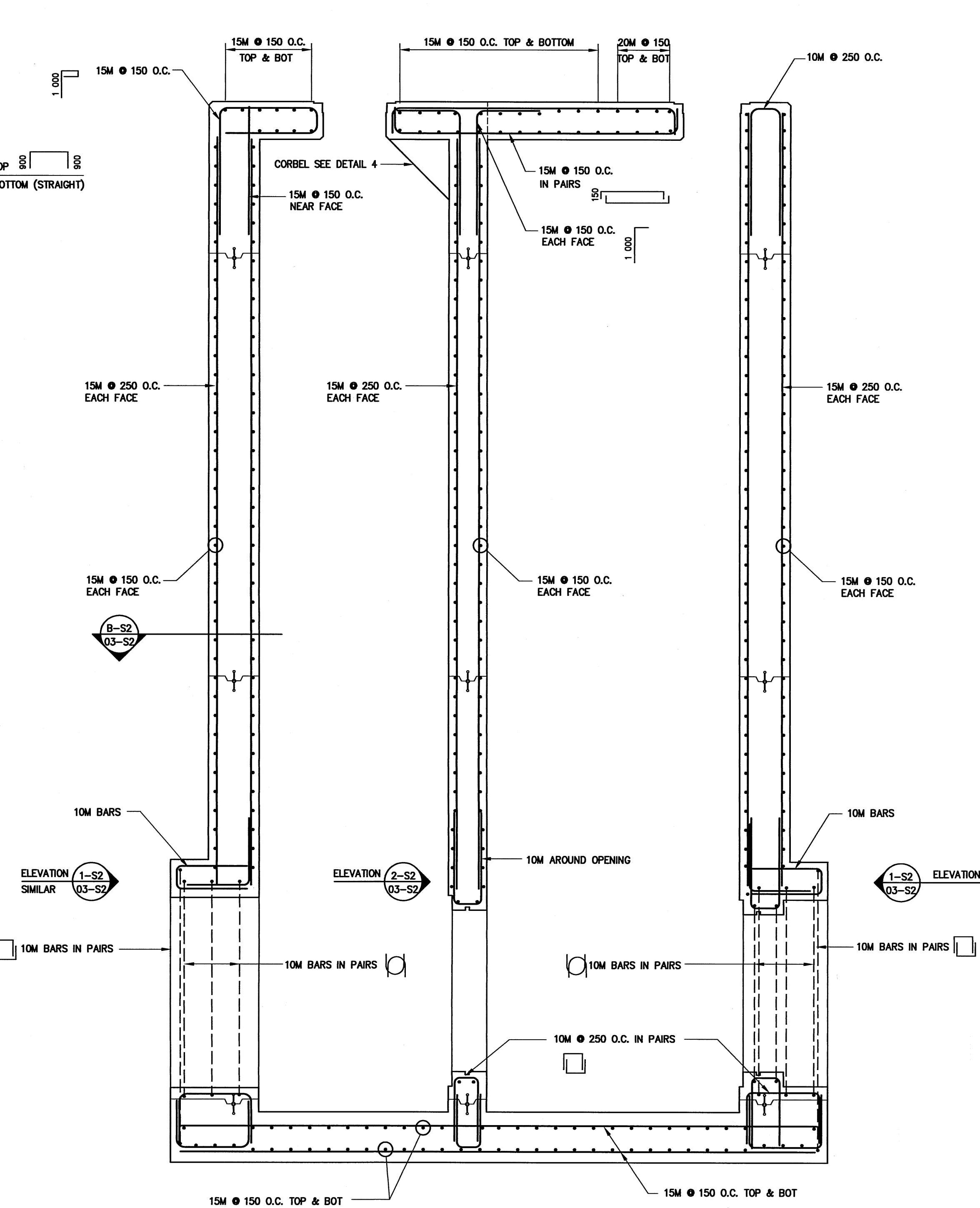
**ROOF SLAB REINFORCING PLAN**  
1:25



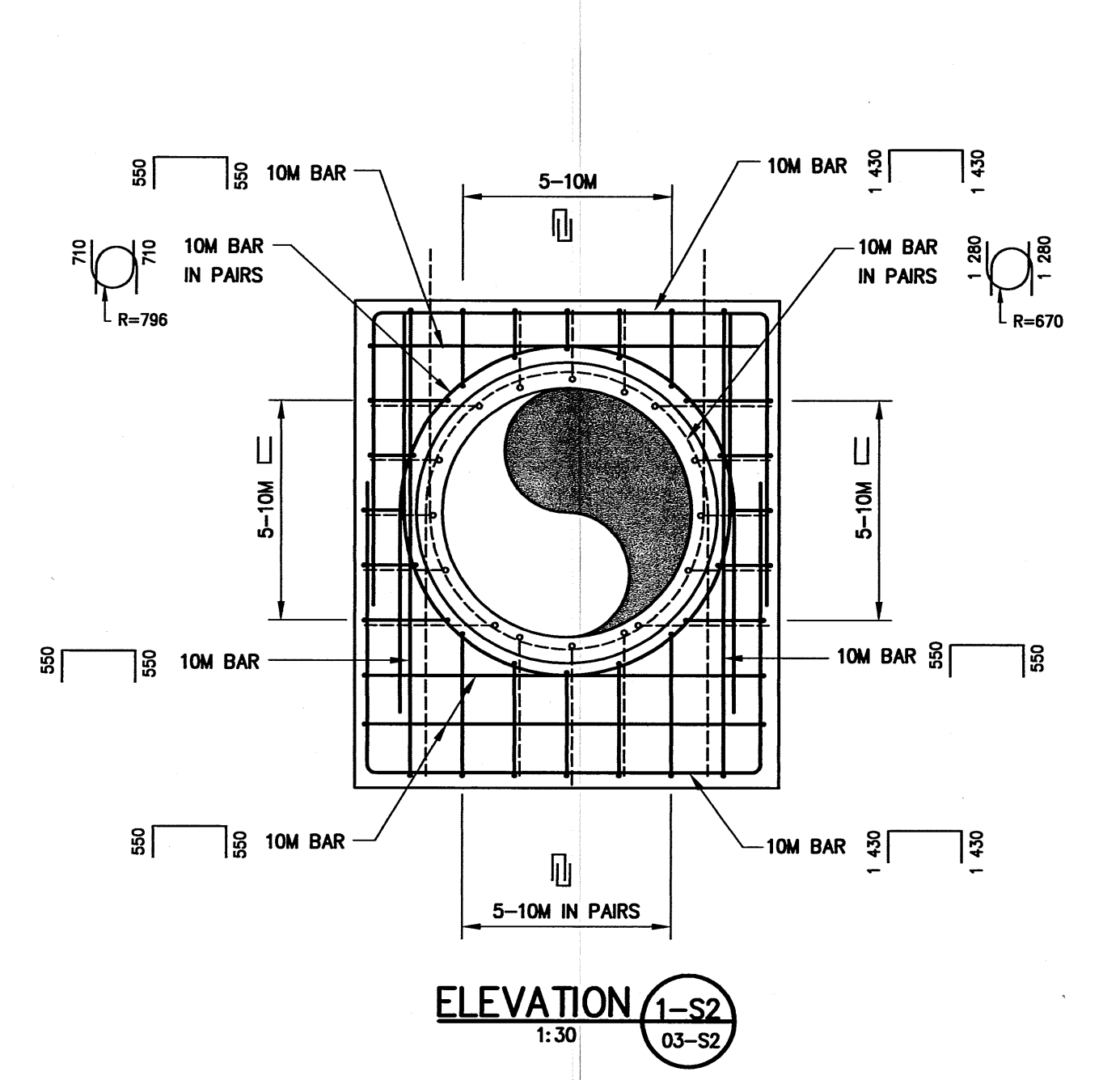
**SECTION B-S2**  
1:25



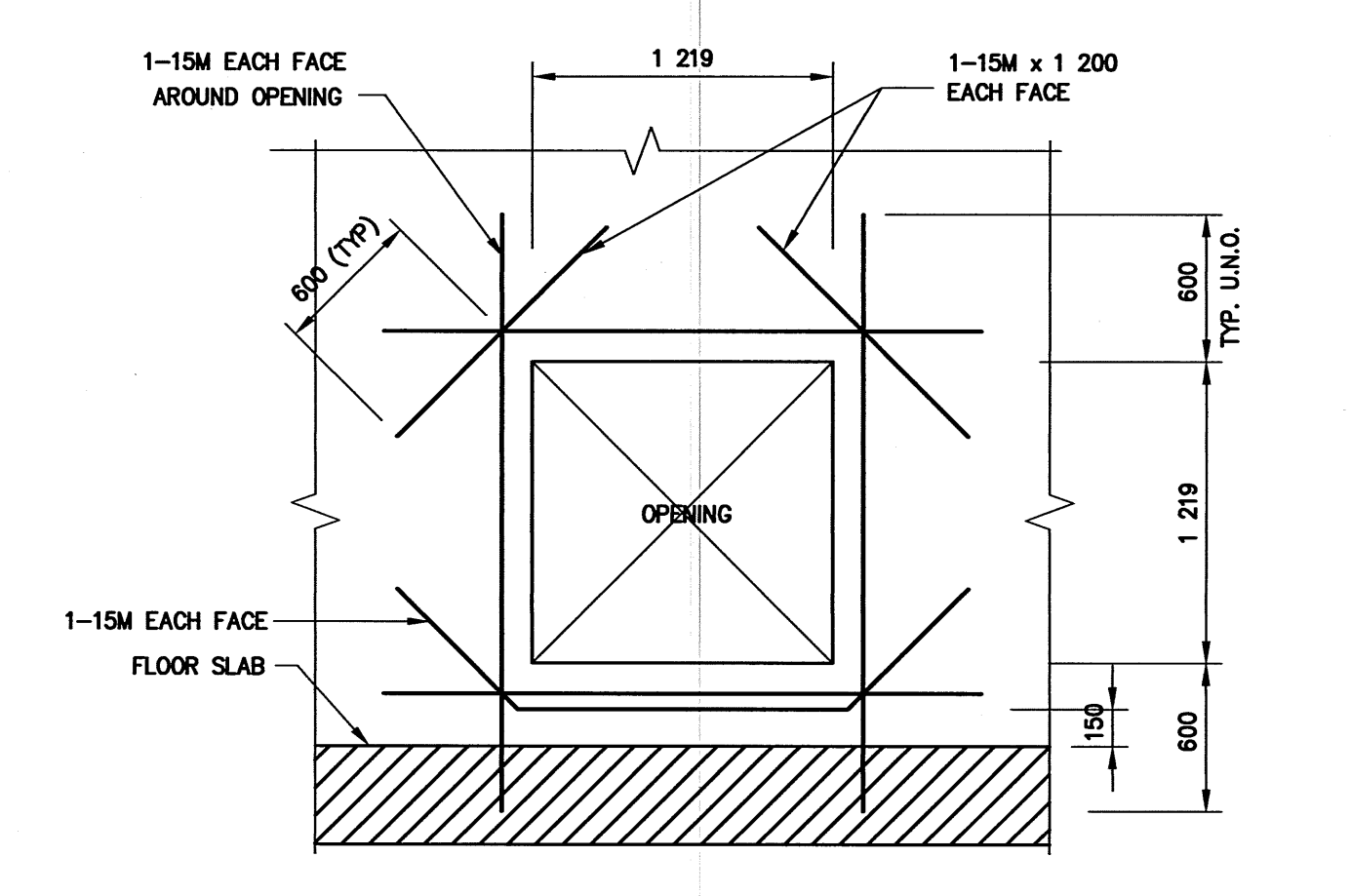
**SECTION C-S2**  
1:25



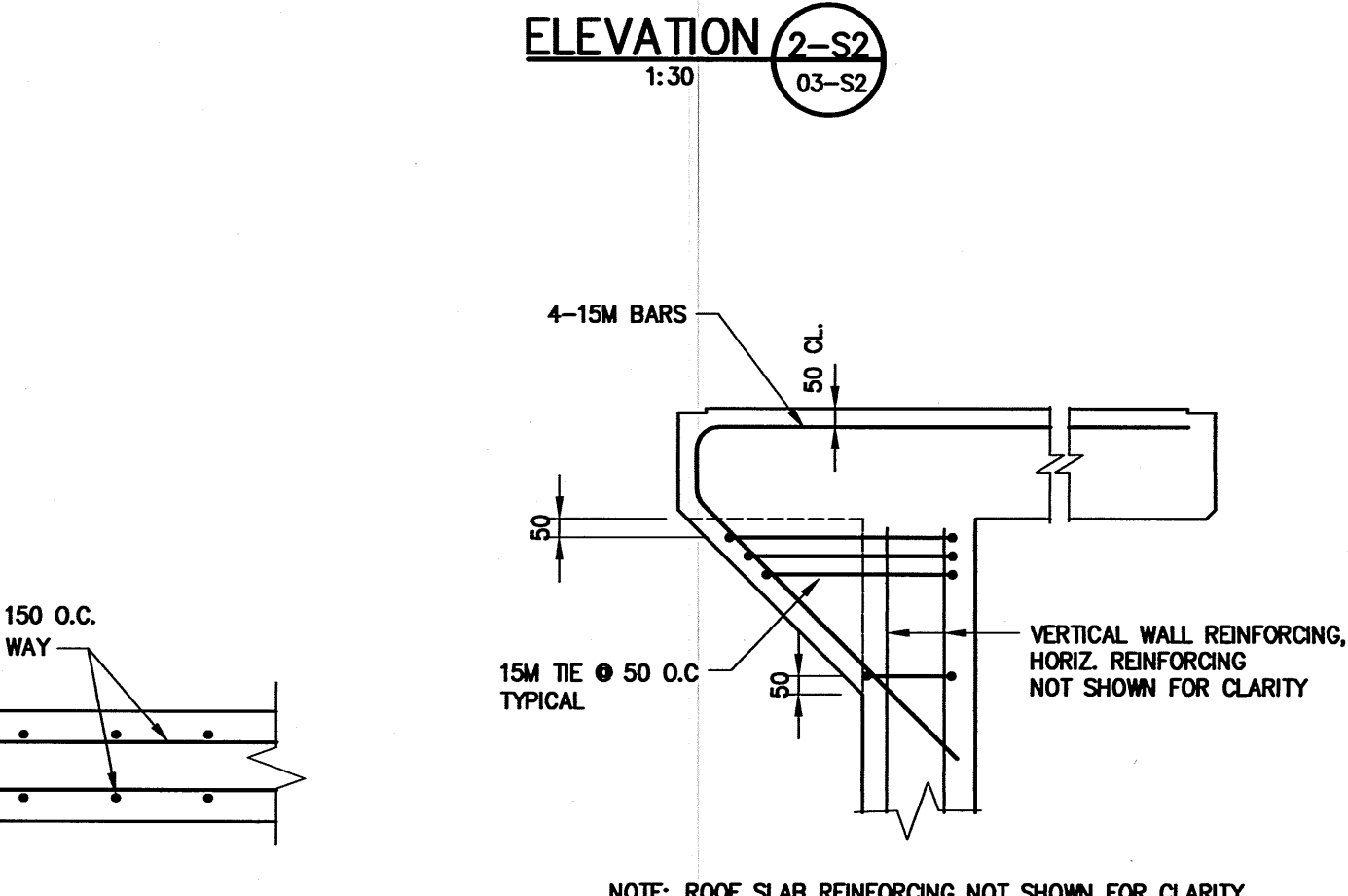
**SECTION A-S2**  
(THROUGH C. OF PIPE)  
1:25



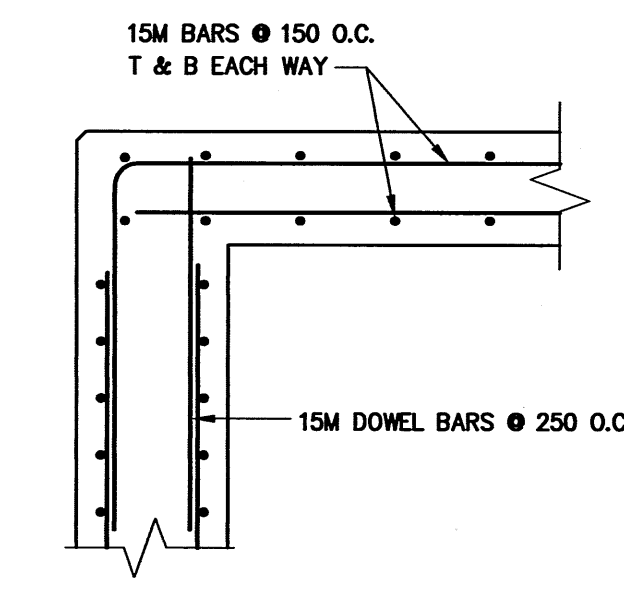
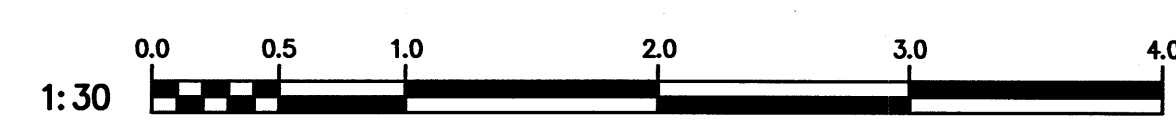
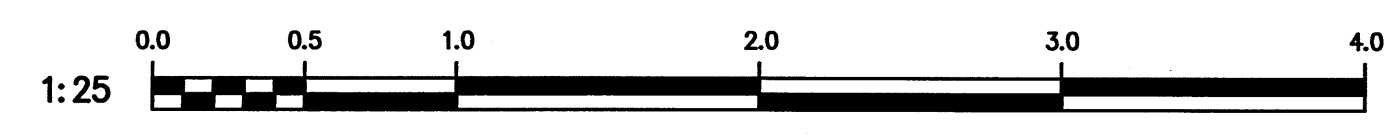
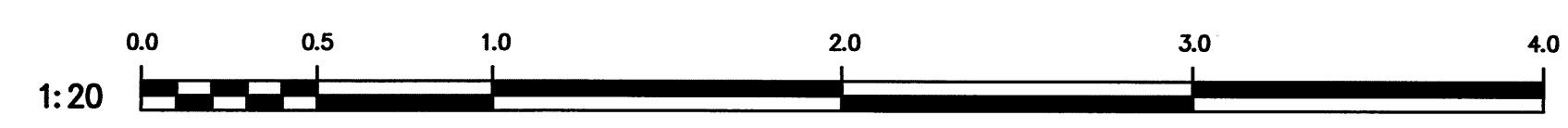
**ELEVATION 1-S2**  
1:30



**ELEVATION 2-S2**  
1:30



**DETAIL 3-S2**  
1:20



**SECTION D-S2**  
1:20

**METRIC**  
WHOLE NUMBERS INDICATE MILLIMETRES  
DECIMALIZED NUMBERS INDICATE METRES

**APEGM**  
Certificate of Authorization  
ND LEA Engineers & Planners Inc.  
No. 2728 Expiry: April 30, 2005

NOTE: These design documents are prepared solely for the use by the party with whom the design professional has entered into a contract and there are no representations of any kind made by the design professional to any party with whom the design professional has not entered into a contract.

<b>ND LEA Engineers &amp; Planners Inc.</b> Suite 111-93 Lombard Avenue Winnipeg, Manitoba R3B 3B1 Phone (204) 943-3178 Facsimile (204) 943-4948		<b>ENGINEER'S SEAL</b> M.A. HATCH REGISTERED PROFESSIONAL ENGINEER	
DESIGNED BY: EH	CHECKED BY: MH	APPROVED BY: [Signature]	RELEASED FOR CONSTRUCTION: [Signature]
DRAWN BY: RCS	HOR. SCALE: AS SHOWN	VERTICAL: AS SHOWN	DATE: 04 08 05
NO. REVISIONS	DATE	BY	DATE
1			04 08 05

**THE CITY OF WINNIPEG**  
WATER AND WASTE DEPARTMENT

2004 OUTFALL GATE CHAMBER UPGRADES  
RUE LA VERENDRYE  
LDS OUTFALL GATE CHAMBER  
REINFORCING DETAILS

CONSULTANT DRAWING NUMBER: 41333 03 S2  
SHEET 3 OF 14  
CITY DRAWING NUMBER: LD - 3048

BID OPPORTUNITY 417-2004  
PLOT DATE: 04 08 23