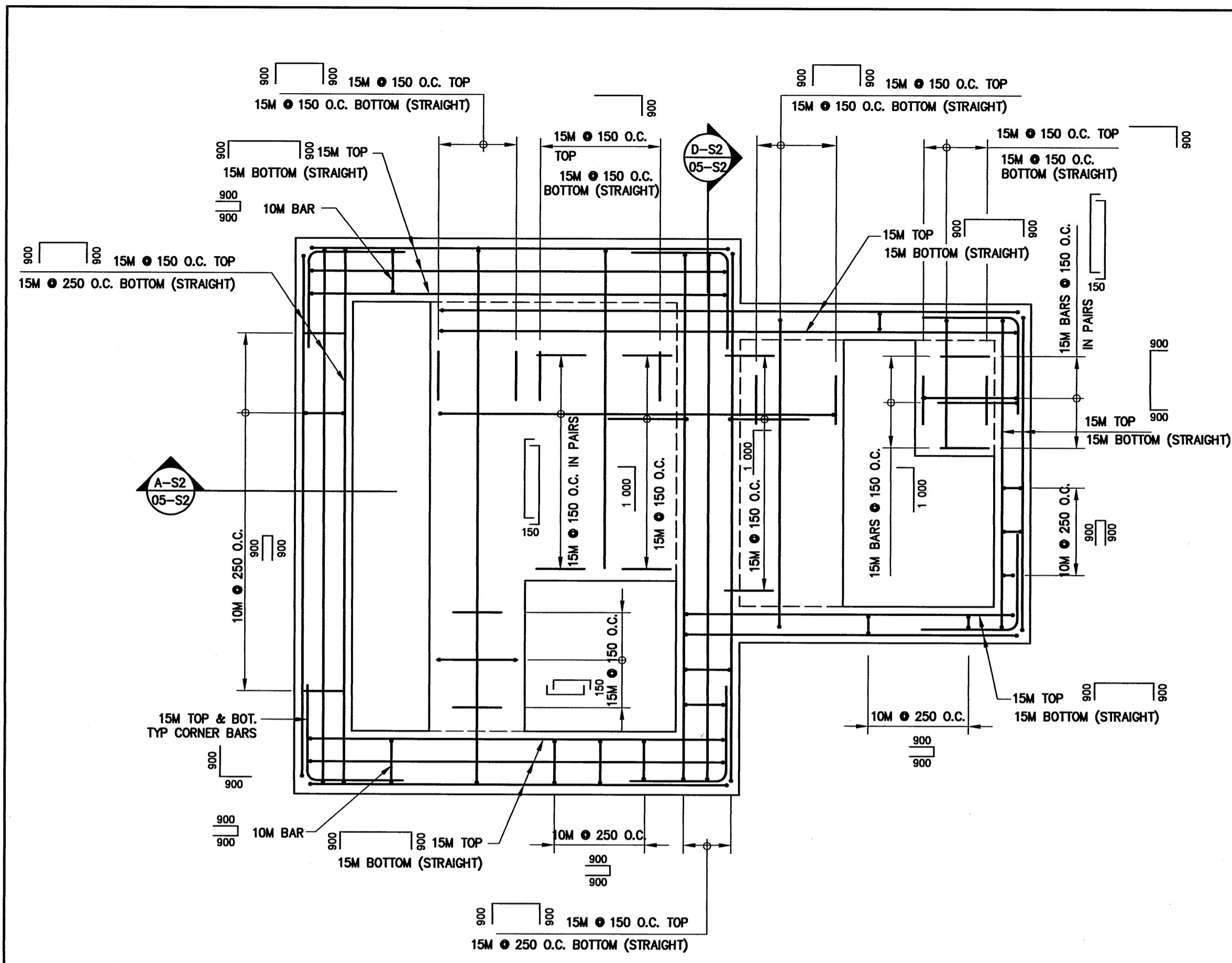
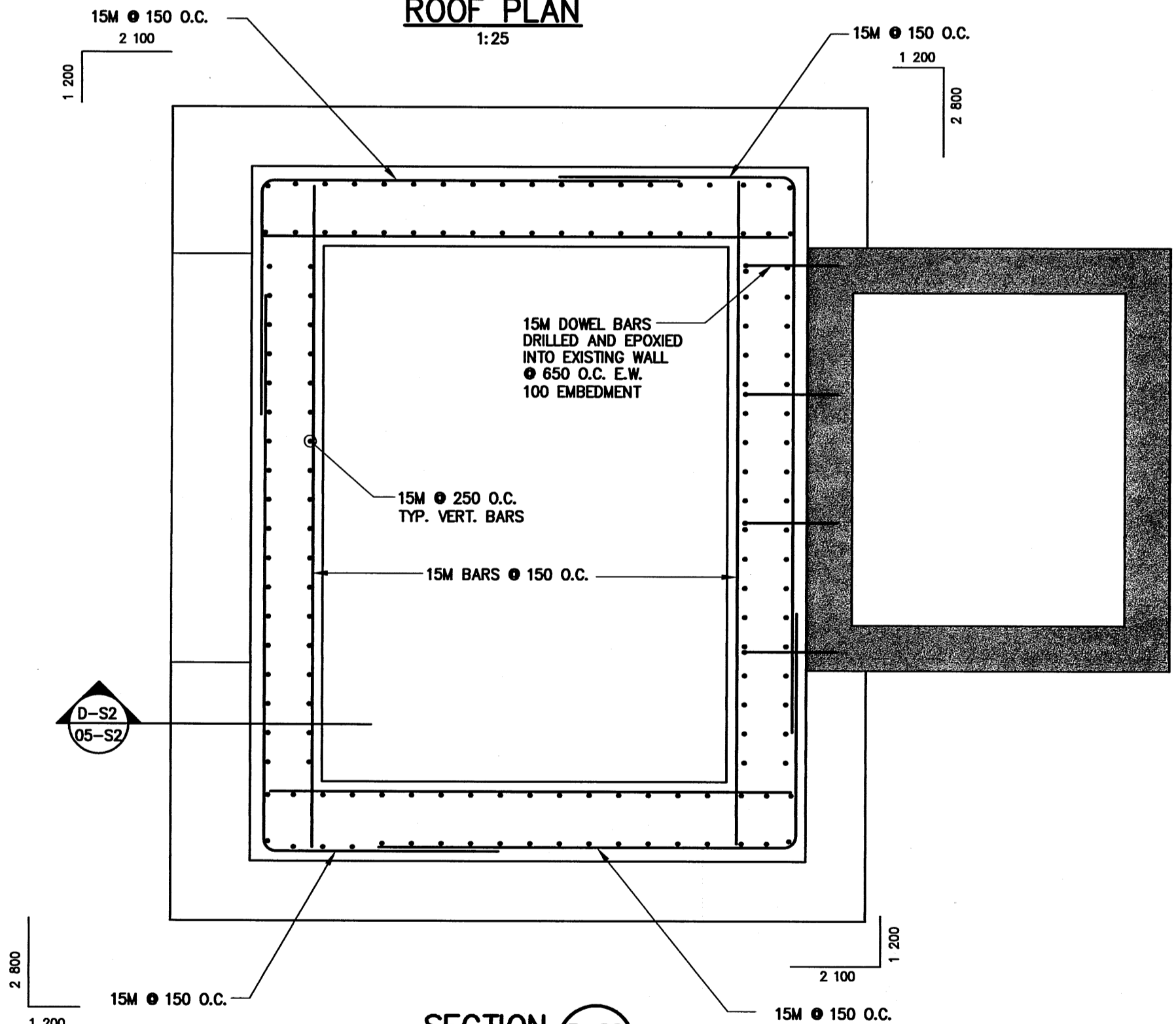


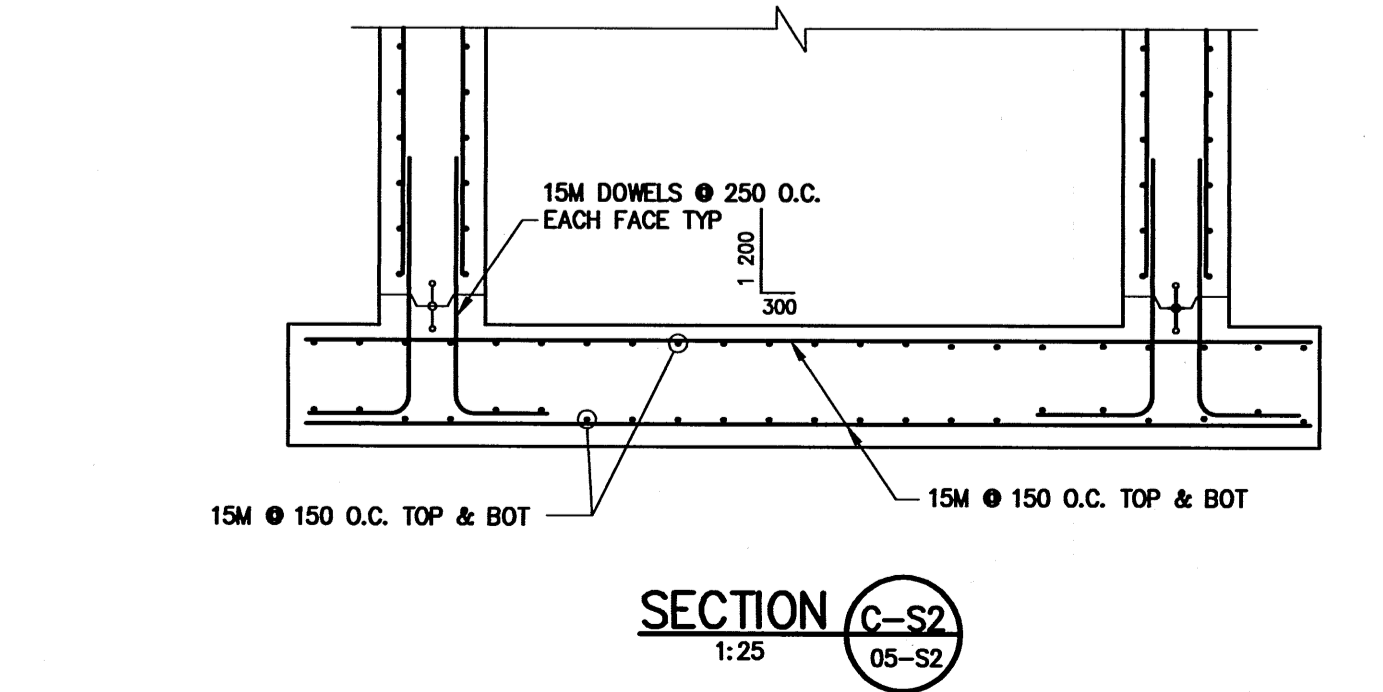
Aug 24, 2004 - 3:26pm
 P:\1300 - 41389\1333 2004 - Outfall Gate Chamber Upgrades\Drawings\W\Dunham\41333 05 S2 reinforcing.dwg - tab:Layout



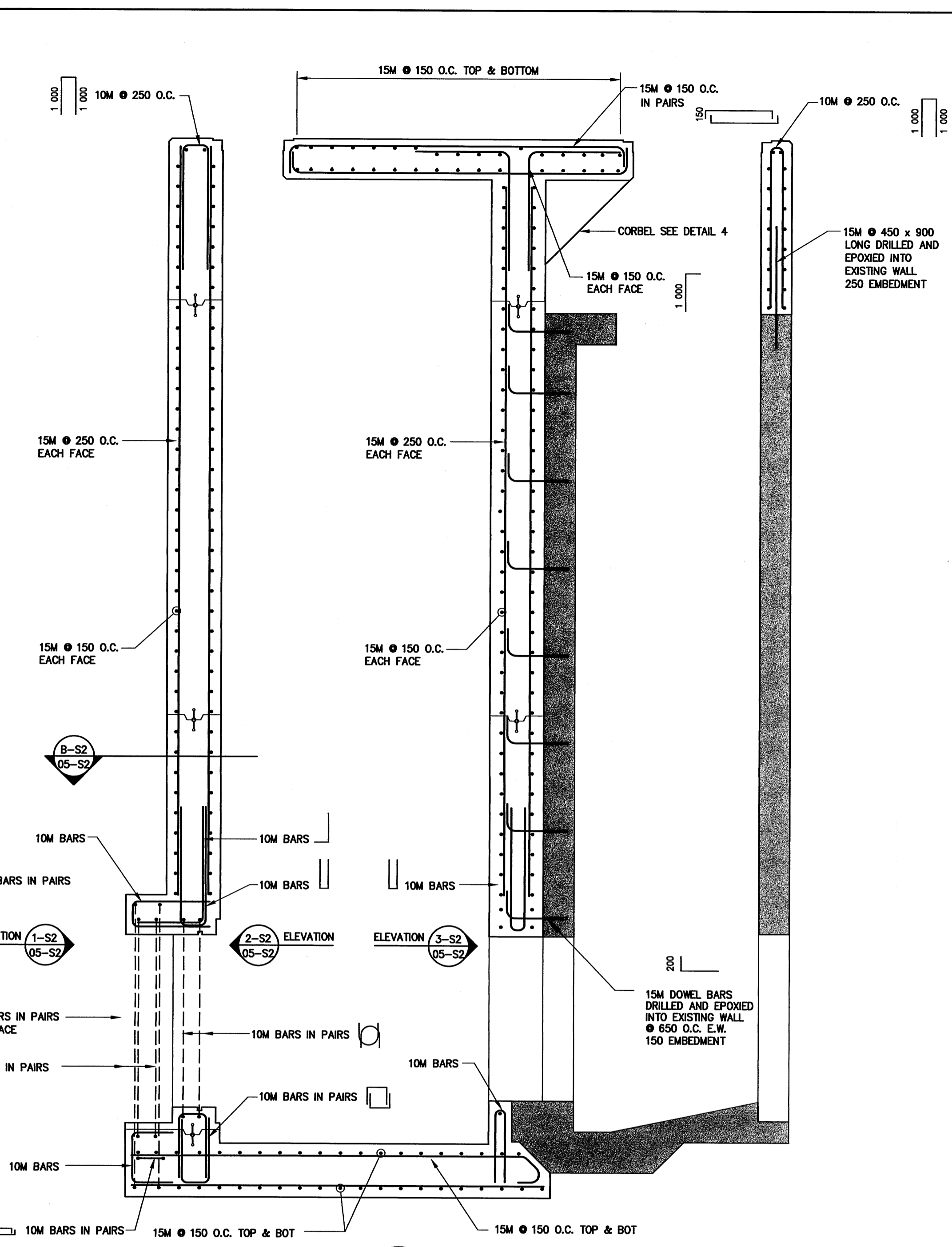
ROOF PLAN
1:25



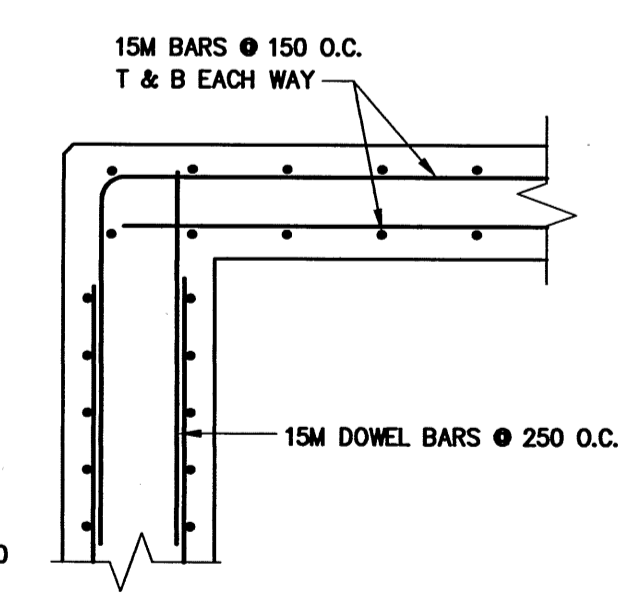
SECTION B-S2
1:25



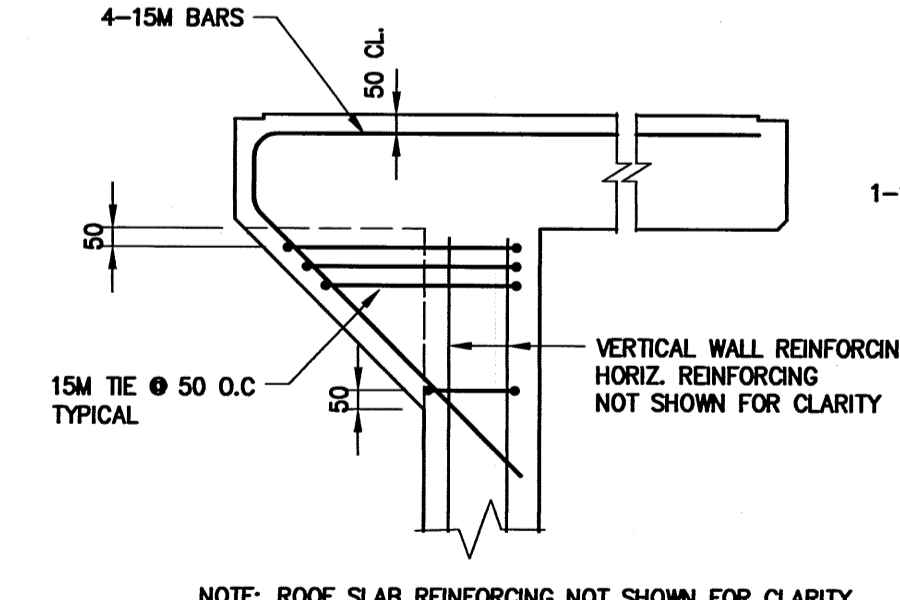
SECTION C-S2
1:25



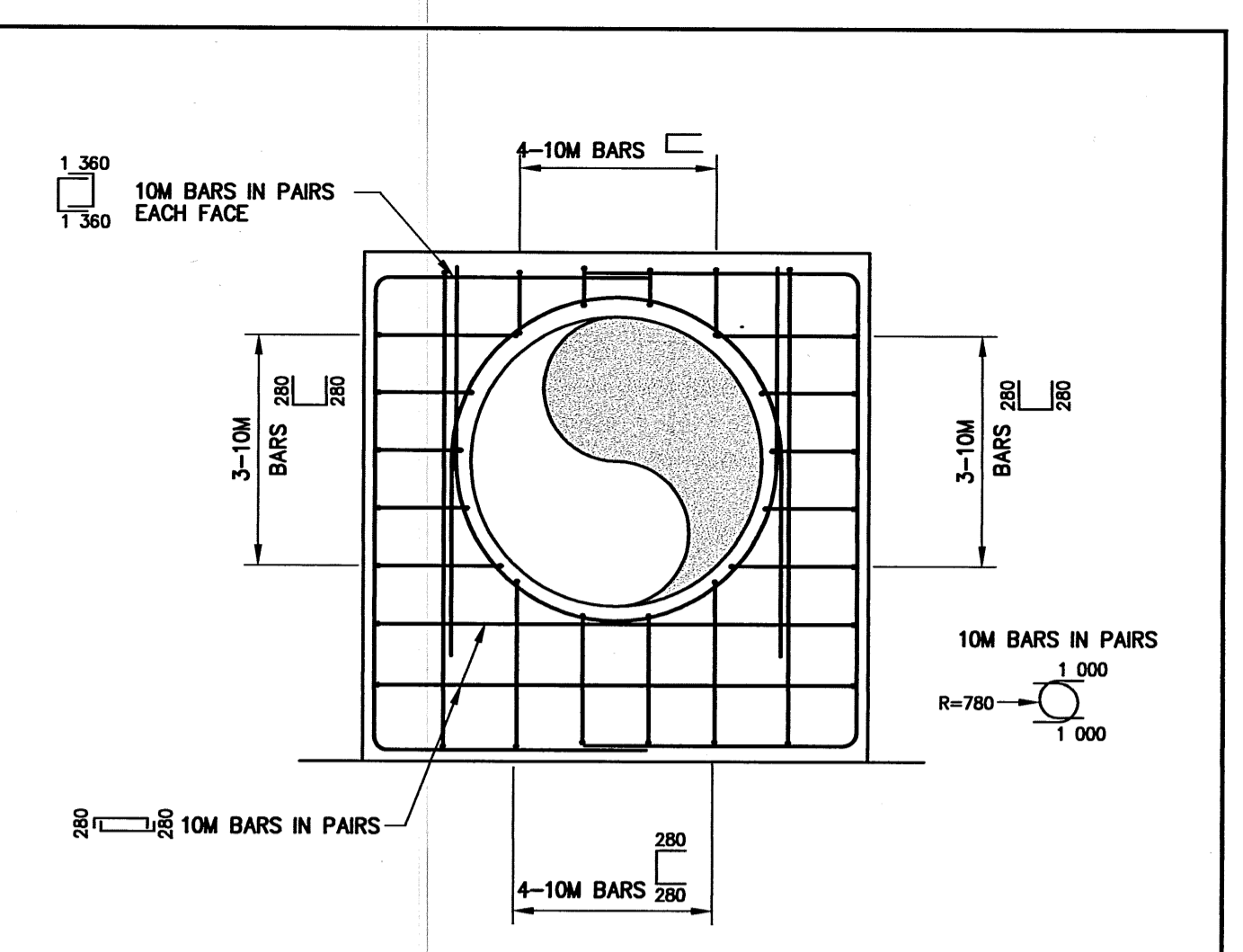
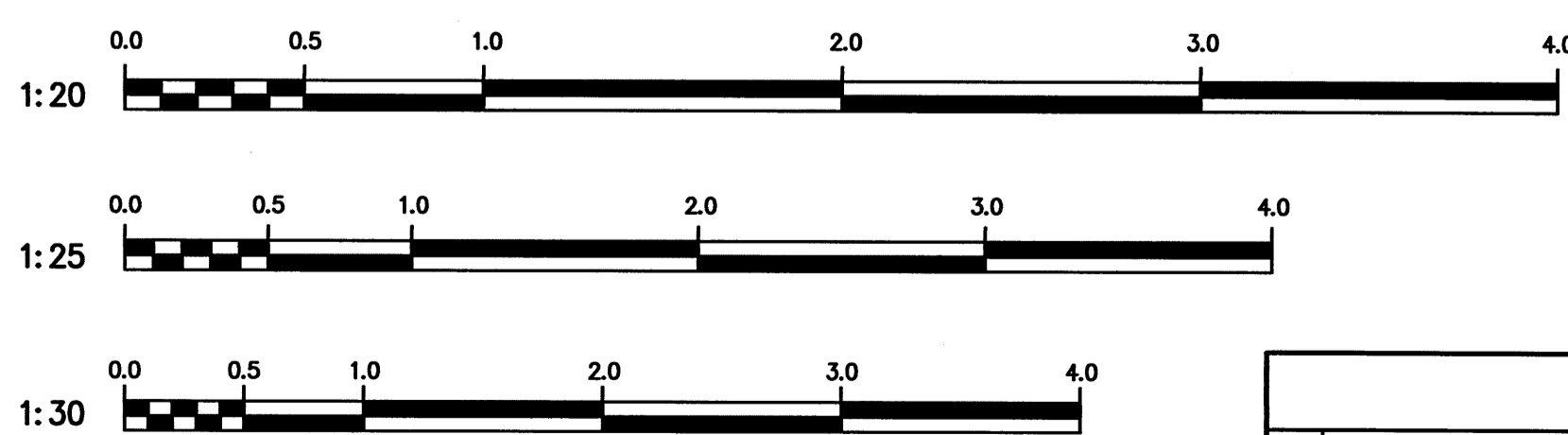
SECTION A-S2
1:25



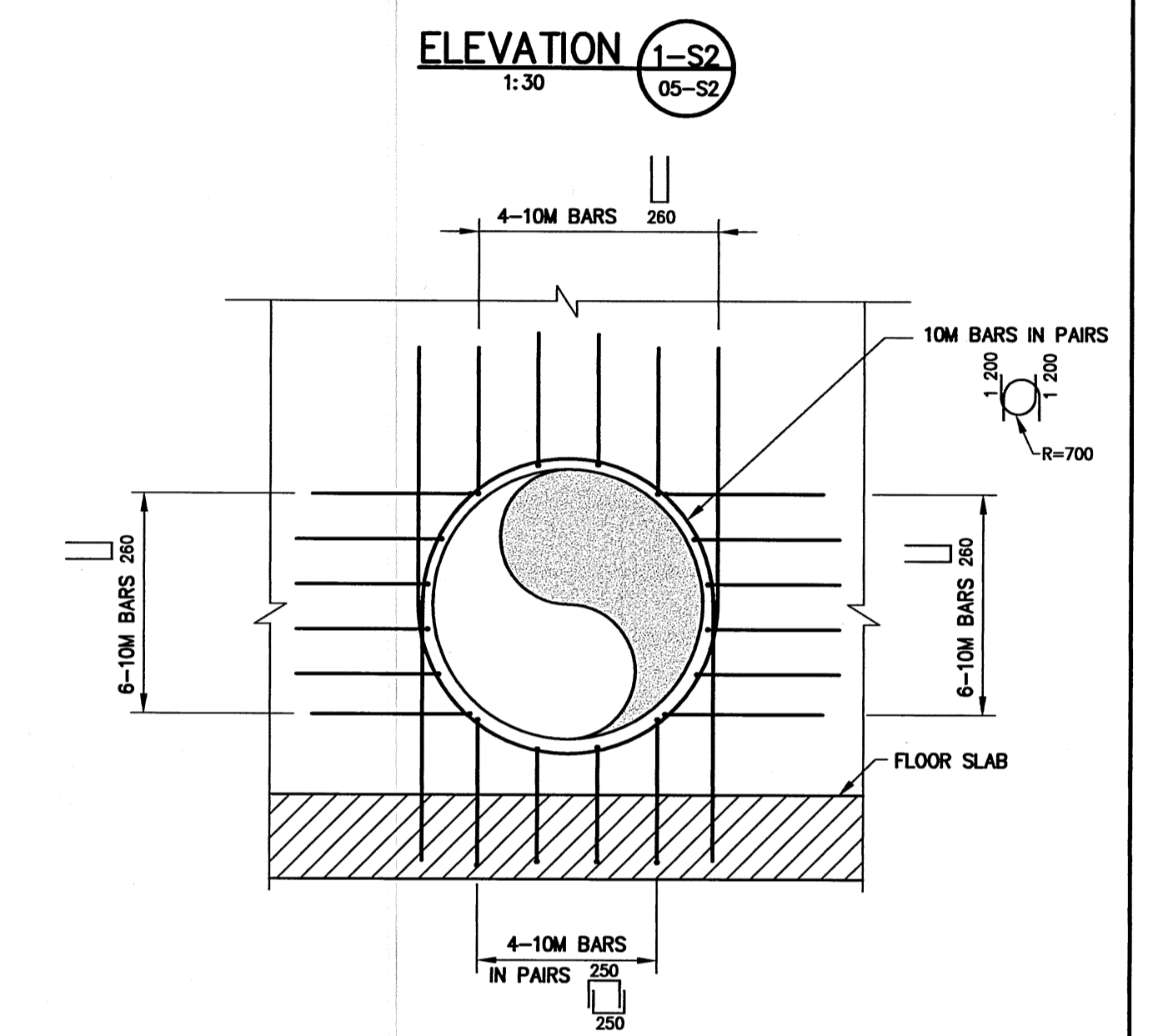
SECTION D-S2
1:20



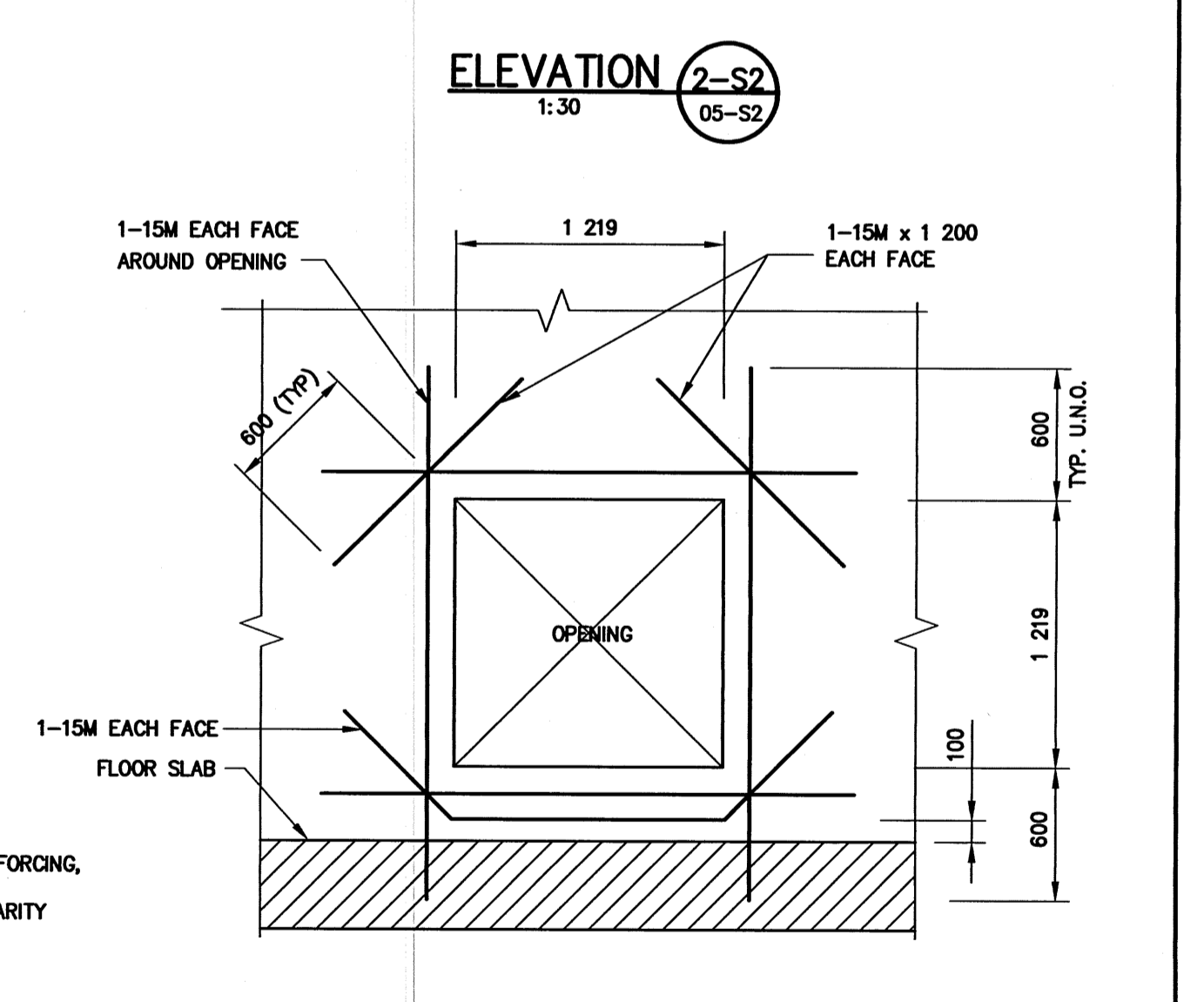
DETAIL 4-S2
1:20



ELEVATION 1-S2
1:30



ELEVATION 2-S2
1:30



ELEVATION 3-S2
1:30

APEGM
 Certificate of Authorization
 ND LEA Engineers & Planners Inc.
 No. 2728 Expiry: April 30, 2005

NOTE:
 These design documents are prepared solely for the use by the party with whom the design professional has entered into a contract and there are no representations of any kind made by the design professional to any party with whom the design professional has not entered into a contract.

NSLEA Engineers & Planners Inc. Suite 111-93 Lombard Avenue Winnipeg, Manitoba R3B 3B1 Phone (204) 943-3178 Facsimile (204) 943-4948		ENGINEER'S SEAL HATCH REGISTERED PROFESSIONAL ENGINEER 2004 08 23	
DESIGNED BY: EH	CHECKED BY: MH	DATE: 04 08 05	PLOT DATE: 04 08 23
DRAWN BY: RCS	APPROVED BY:	RELEASER FOR CONSTRUCTION:	
HOR. SCALE: AS SHOWN	VERTICAL:		

A-B
C
A = DETAIL/SECTION No.
B = DRAWING WHERE SHOWN
C = DRAWING WHERE TAKEN

METRIC
 WHOLE NUMBERS INDICATE MILLIMETRES
 DECIMALIZED NUMBERS INDICATE METRES

THE CITY OF WINNIPEG
 WATER AND WASTE DEPARTMENT
Winnipeg

2004 OUTFALL GATE CHAMBER UPGRADES
 DUNHAM ROAD
 LDS OUTFALL GATE CHAMBER EXPANSION
 REINFORCING DETAILS

CONSULTANT DRAWING NUMBER: 41333-05-S2
 SHEET: 6 OF 14
 CITY DRAWING NUMBER: LD-3051