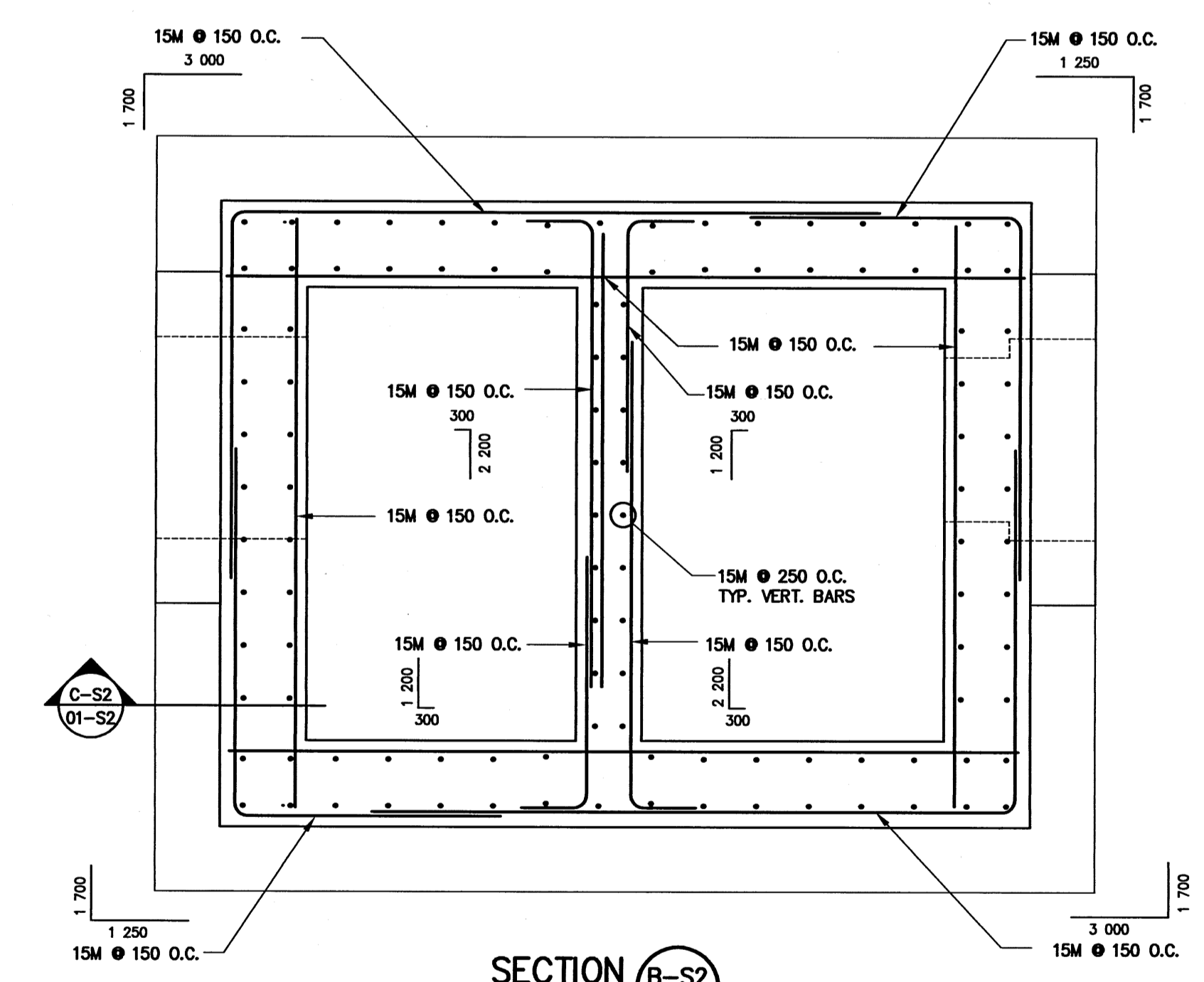
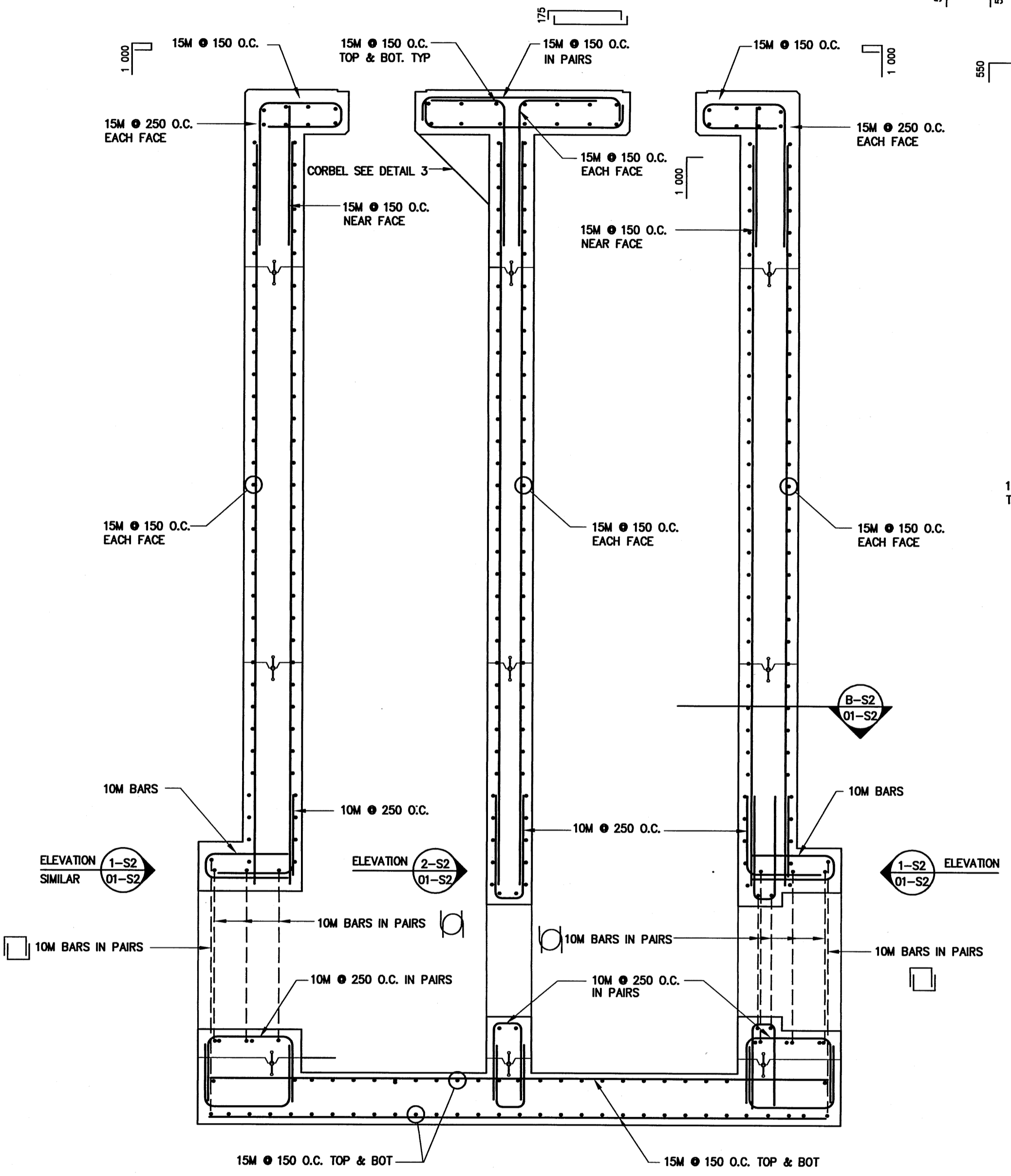


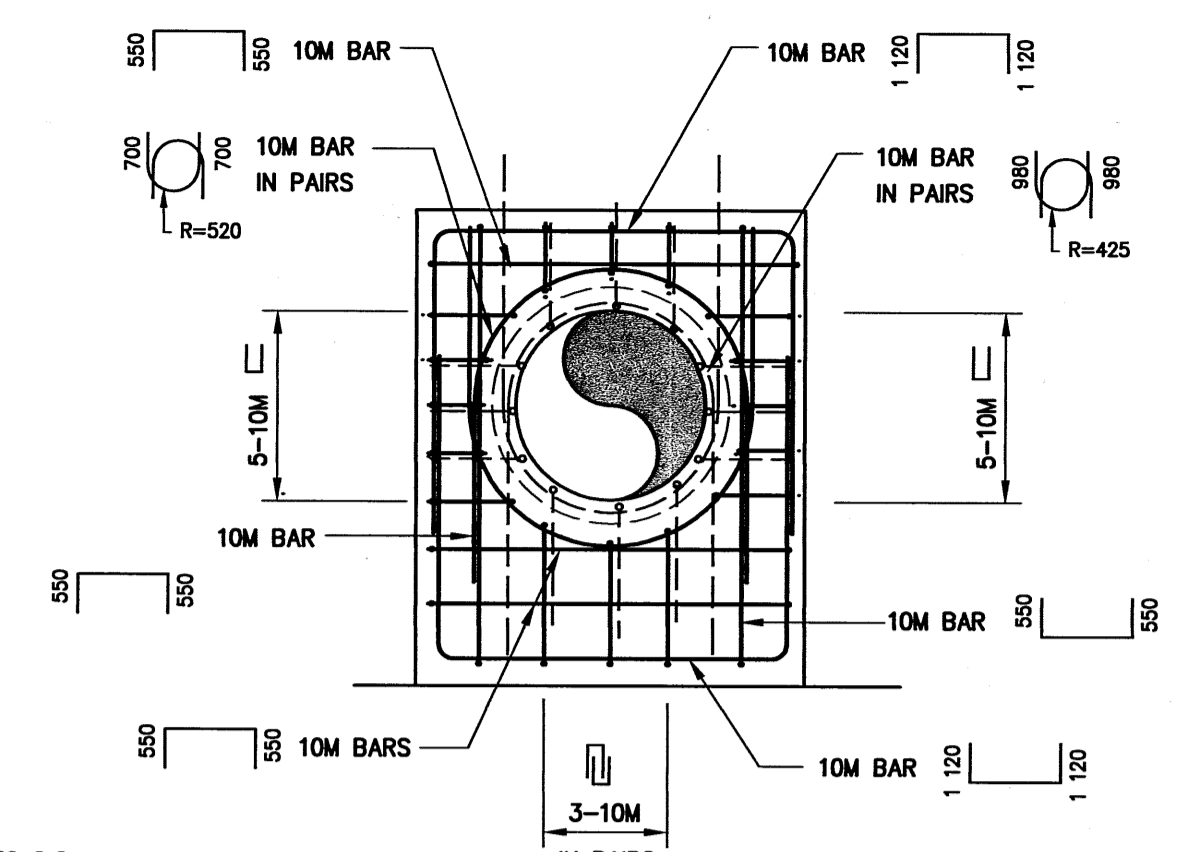
ROOF SLAB REINFORCING PLAN
1:25



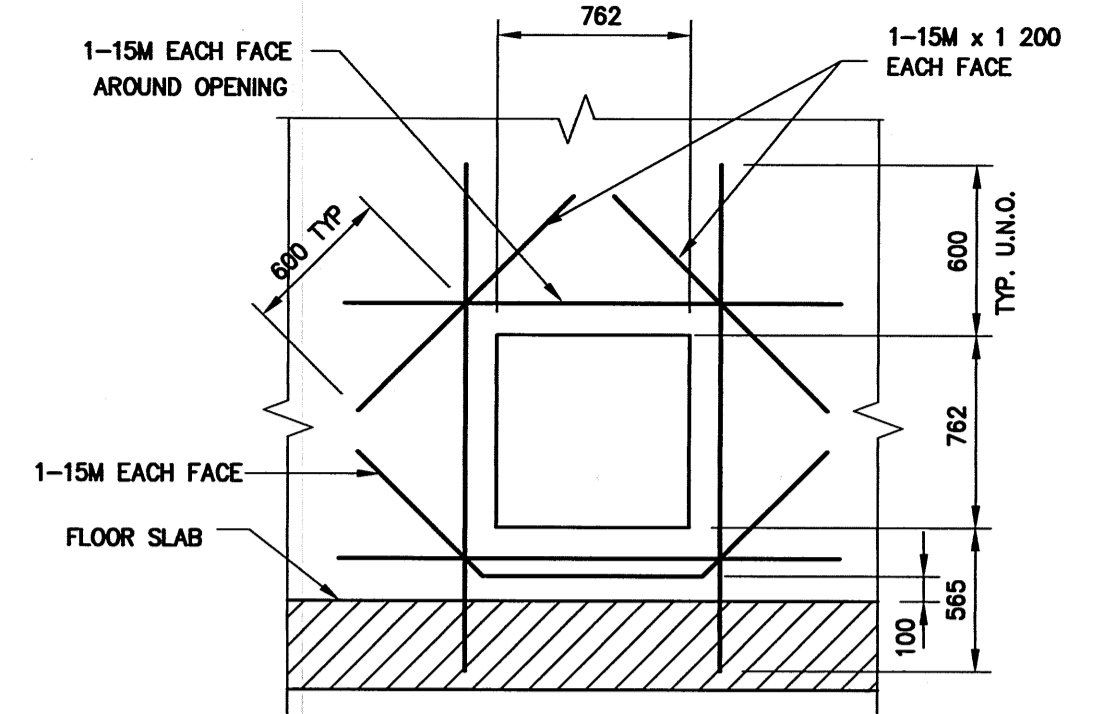
SECTION B-S2
1:25



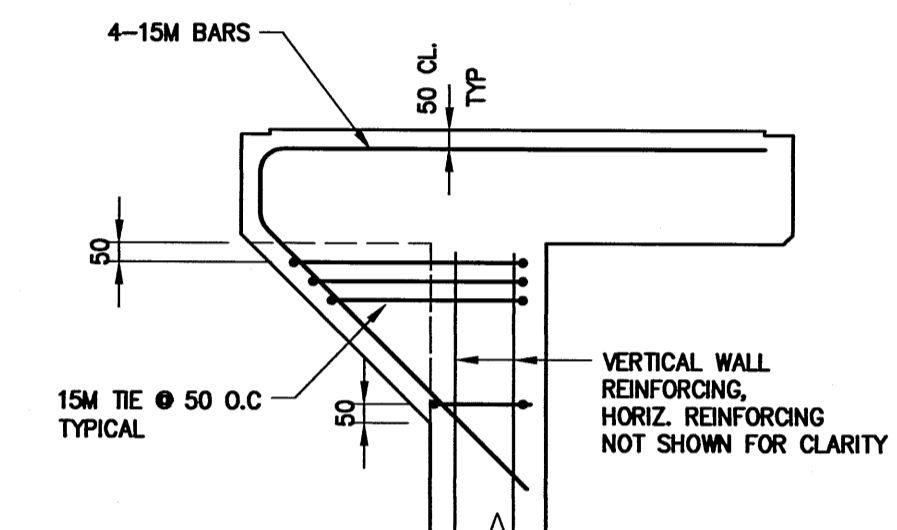
SECTION A-S2
(THROUGH C OF PIPE)
1:25



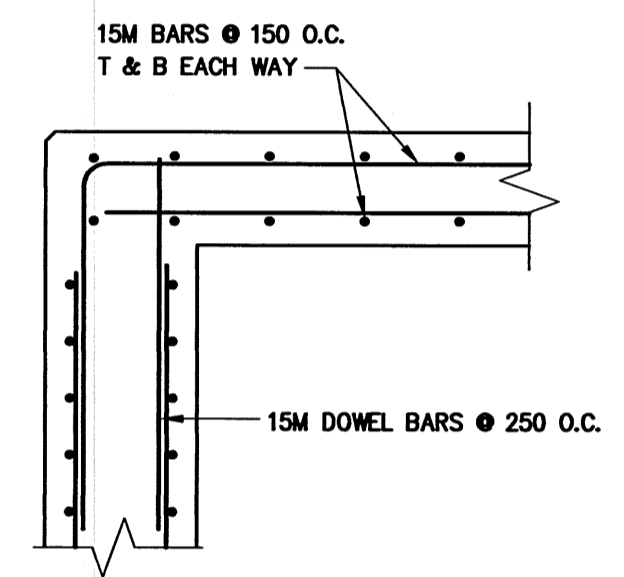
ELEVATION 1-S2
1:30



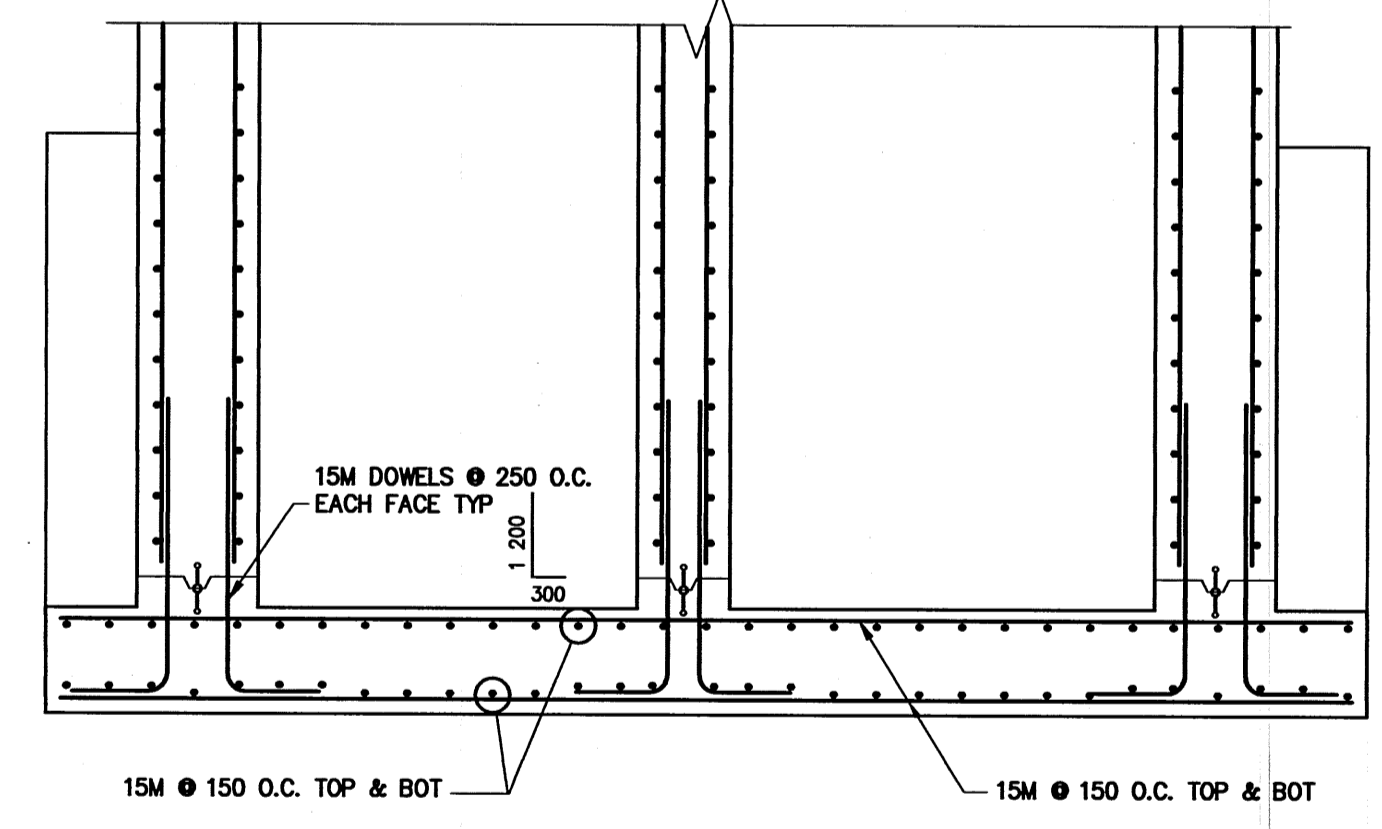
ELEVATION 2-S2
1:30



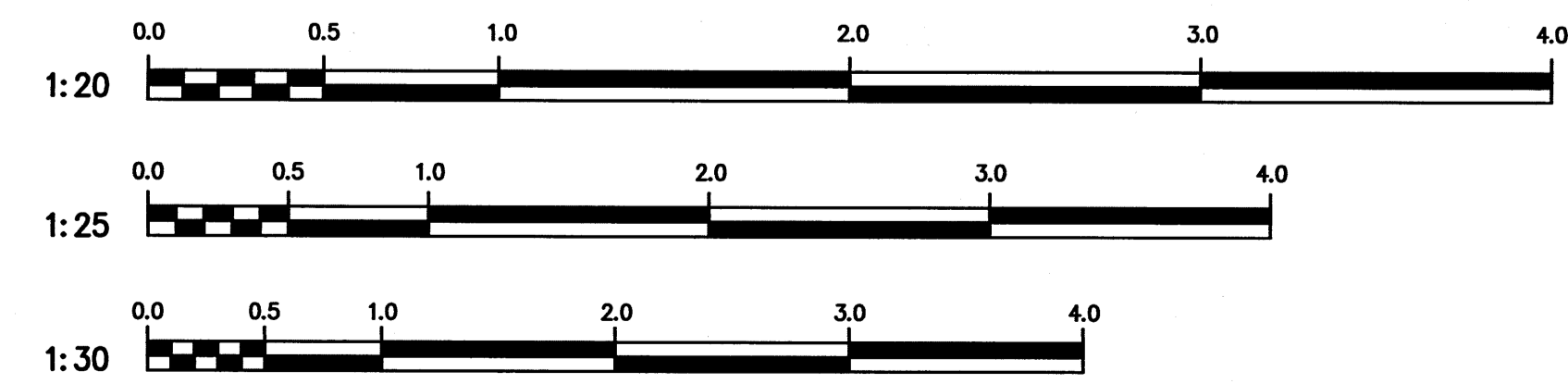
DETAIL 3-S2
1:20



SECTION D-S2
1:20



SECTION C-S2
1:25

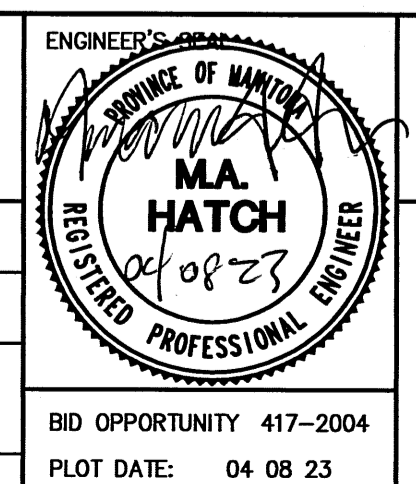


APEGM
Certificate of Authorization
ND LEA Engineers & Planners Inc.
No. 2728 Expiry: April 30, 2005

NOTE:
These design documents are prepared solely for the use by the party with whom the design professional has entered into a contract and there are no representations of any kind made by the design professional to any party with whom the design professional has not entered into a contract.

NO.	REVISIONS	DATE	BY
1	-	-	-

ND LEA Engineers & Planners Inc. Suite 111-93 Lombard Avenue Winnipeg, Manitoba R3B 3B1 Phone (204) 943-3178 Facsimile (204) 943-4948	
DESIGNED BY: EH	CHECKED BY: MH
DRAWN BY: RCS	APPROVED BY: [Signature]
HOR. SCALE: AS SHOWN	RELEASED FOR CONSTRUCTION: [Signature]
DATE: 04 08 05	DATE: [Signature]



THE CITY OF WINNIPEG
WATER AND WASTE DEPARTMENT

2004 OUTFALL GATE CHAMBER UPGRADES
BREDIN DRIVE
SRS OUTFALL GATE CHAMBER
REINFORCING DETAILS

CONSULTANT DRAWING NUMBER: 41333-01-S2
SHEET 12 OF 14
CITY DRAWING NUMBER: LD-3057

BID OPPORTUNITY 417-2004
PLOT DATE: 04 08 23

METRIC
WHOLE NUMBERS INDICATE MILLIMETRES
DECIMALIZED NUMBERS INDICATE METRES

Aug 24, 2004 - 3:23pm
P:\41300 - 41333\41333 004 Outfall Gate Chamber Upgrades Drawings\WIP\Draw Drive\41333 of Srs Reinforcing.dwg - tab:Layout1