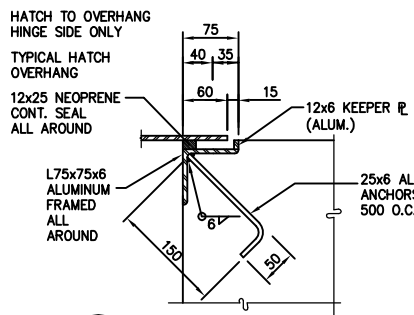
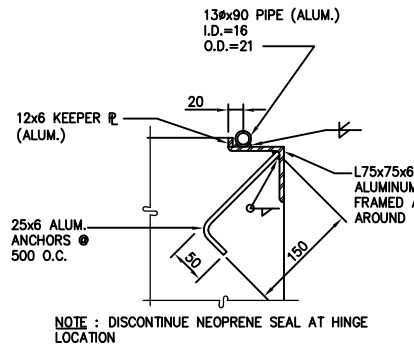


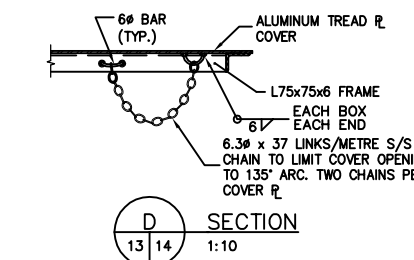
A HATCH COVER BOLT DOWN SECTION
1:5



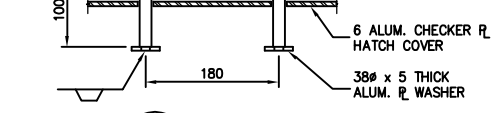
B HATCH SUPPORT SECTION
1:5



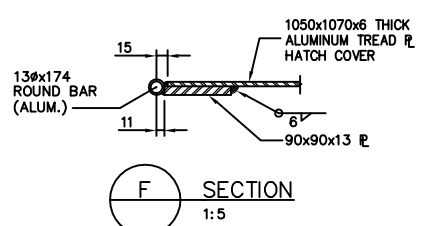
C SECTION
1:5



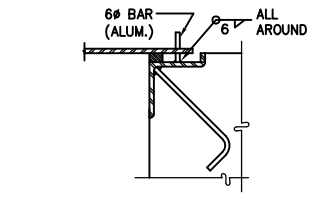
D SECTION
1:10



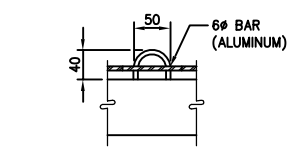
E SECTION
1:5



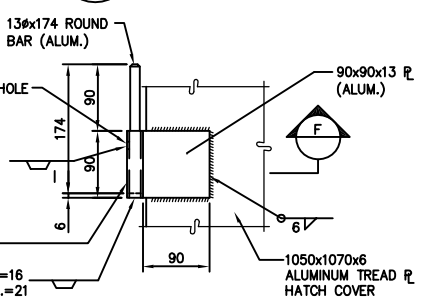
F SECTION
1:5



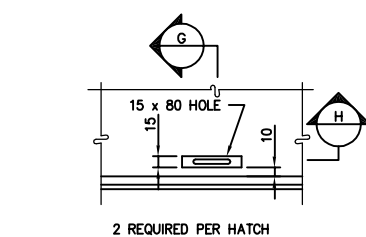
G SECTION
1:5



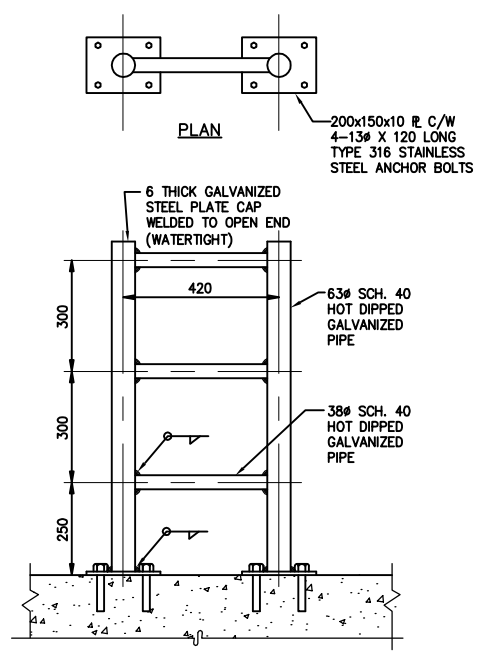
H SECTION
1:5



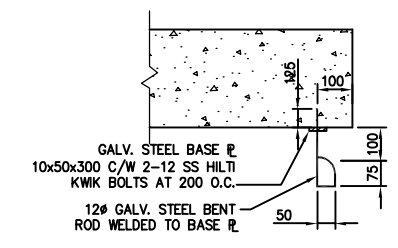
1 DETAIL
1:5



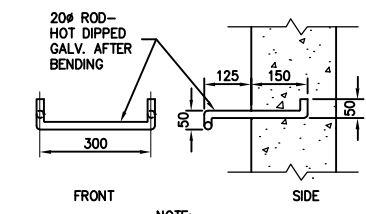
2 HATCH LOCK HASP PLAN
1:5



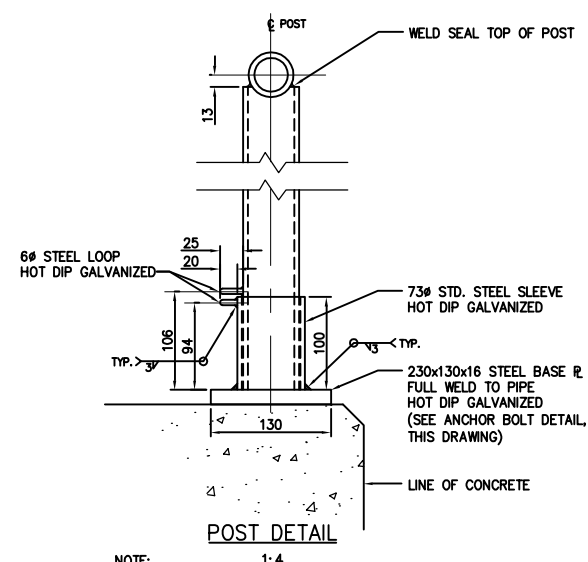
3 HAND HOLD DETAIL
1:10



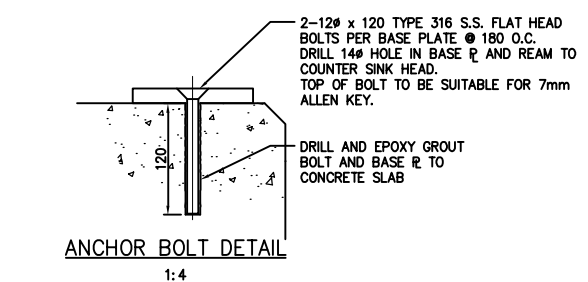
6 DETAIL
N.T.S.



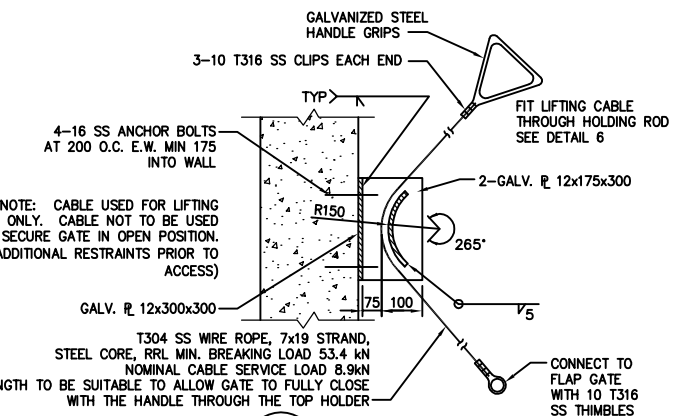
8 TYPICAL LADDER RUNG DETAIL
1:10



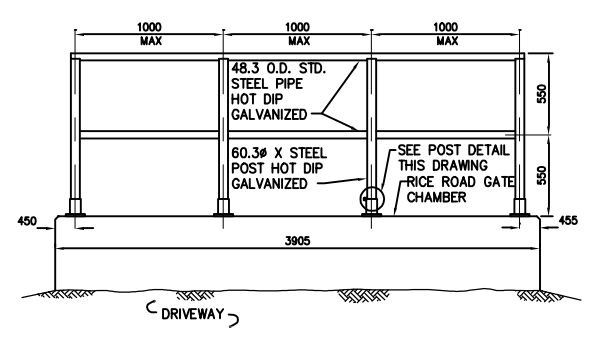
POST DETAIL
1:4



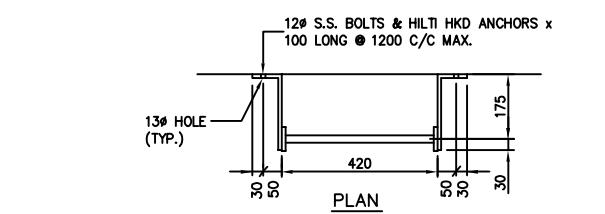
ANCHOR BOLT DETAIL
1:4



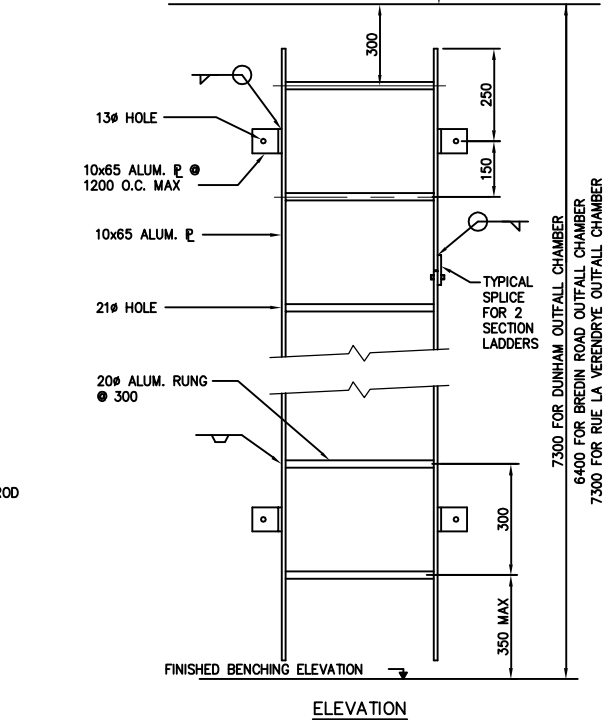
7 DETAIL
N.T.S.



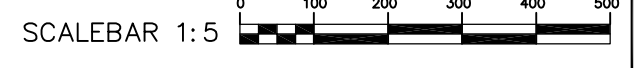
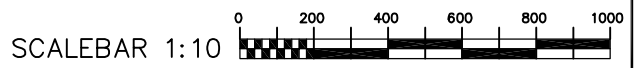
1 REMOVABLE SAFETY RAIL DETAIL
1:20



PLAN



4 LADDER DETAIL
1:10



NOTE: ALL NUTS, BOLTS AND FASTENERS TO BE TYPE 316 STAINLESS STEEL

METRIC
WHOLE NUMBERS INDICATE MILLIMETRES
DECIMALIZED NUMBERS INDICATE METRES

LOCATION APPROVED UNDERGROUND STRUCTURES	
SUPV. U/G STRUCTURES COMMITTEE	DATE
NOTE: LOCATION OF UNDERGROUND STRUCTURES AS SHOWN ARE BASED ON THE BEST INFORMATION AVAILABLE BUT NO GUARANTEE IS GIVEN THAT ALL EXISTING UTILITIES ARE SHOWN OR THAT THE GIVEN LOCATIONS ARE EXACT. CONFIRMATION OF EXISTENCE AND EXACT LOCATION OF ALL SERVICES MUST BE OBTAINED FROM THE INDIVIDUAL UTILITIES BEFORE PROCEEDING WITH CONSTRUCTION.	

B.M. ELEV.				
NO.	REVISIONS	DATE	BY	

CITY OF WINNIPEG WATER AND WASTE ENGINEERING DIVISION			
DESIGNED BY	DGS	CHECKED BY	TW
DRAWN BY	WKT	APPROVED BY	KZ
HOR. SCALE:	AS SHOWN	RELEASED FOR CONSTRUCTION:	
DATE	2004.09.01	DATE	

ENGINEER'S SEAL
ORIGINAL SIGNED BY K.R. ZUREK
DATE 04/09/03
BID OPPORTUNITY: 417-2004
PLAT DATE: 2004 09 03

THE CITY OF WINNIPEG
WATER AND WASTE DEPARTMENT

2004 OUTFALL GATE CHAMBER UPGRADES
RUE LA VERENDRYE, DUNHAM ROAD AND BREDIN DRIVE
OUTFALL GATE CHAMBER MISCELLANEOUS METAL DETAILS

SHEET 14 OF 14
CAD FILE DRAWING NUMBER LD-3058A.dwg
CITY DRAWING NUMBER LD-3058A