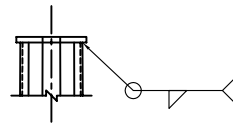


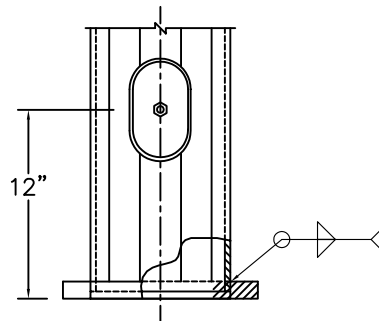
FINIAL DETAIL



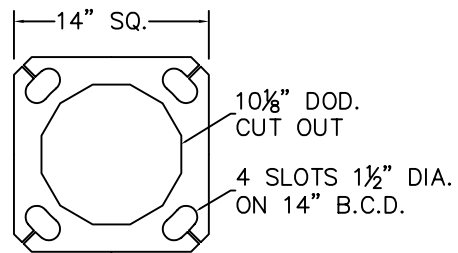
TENON PLATE DETAIL





POLE TOP DETAIL



BASE JOINT DETAIL



BASE DETAIL

1					DAVID WAGNER	VALOUR ROAD
No. REQ'D.	W.O. No.	FILE No.	DATE	P.O. No.	CUSTOMER	LOCATION
					 <small>WEST COAST ENGINEERING GROUP LTD.</small>	 <small>1450 Saskatchewan Avenue Winnipeg, Manitoba, Canada R3E 0L3 Ph: (204) 987-3110 • Fx: (204) 775-9066 www.martec-mfg.mb.ca</small>
REV.No.	CHANGE			BY		
DRAWN BY	G.G.	APP. BY			DWG. No.	REV. No.
DATE		SCALE	NTS		ValourRoad-32	0
TITLE						SHT. 1
32 FOOT DODECAGONAL BANNER POLE						of 1 SHTS.