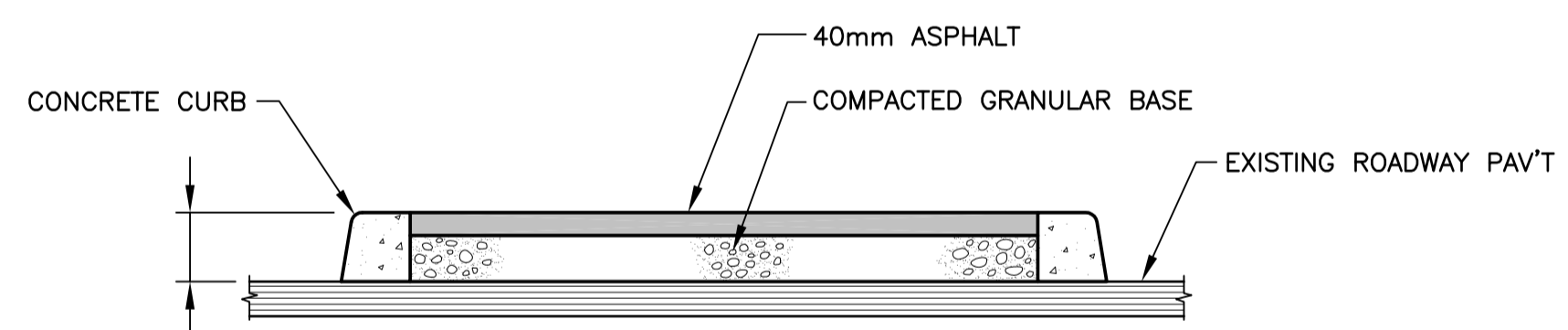


EXISTING MANHOLE COVER TO BE RAISED. MATCH NEW ASPHALT. RESTORE AT COMPLETION
 CONSTRUCT TRAFFIC ISLAND (SEE DETAIL THIS DRAWING) REMOVE/RESTORE AT COMPLETION

CONSTRUCT TRAFFIC ISLAND (SEE DETAIL THIS DRAWING) REMOVE/RESTORE AT COMPLETION



TRAFFIC ISLAND DETAIL
 SCALE 1 : 15

FROM POINT	TO POINT	TYPE	RADIUS (m)	Δ	LENGTH (m)
P5	P6	LINE			5.701
P6	P7	ARC	15.000	94°18'4"	2.435
P7	P8	ARC	0.500	128°45'0"	1.118
P8	P9	ARC	13.000	43°14'56"	9.813
P9	P10	ARC	0.750	72°24'13"	0.948
P10	P11	LINE			0.354
P11	P12	ARC	1.500	92°19'9"	2.417
P12	P13	LINE			10.833

FROM POINT	TO POINT	TYPE	RADIUS (m)	Δ	LENGTH (m)
E15	E16	ARC	0.500	155°22'24"	1.356
E16	E17	LINE			16.019
E17	E18	ARC	0.750	145°29'9"	1.904
E18	E19	ARC	15.000	194°3'28"	4.989
E19	E20	LINE			2.951
E20	E21	ARC	0.750	93°35'4"	1.225
E21	E22	LINE			4.848
E22	E23	ARC	22.500	156°23'08"	6.042

METRIC
 WHOLE NUMBERS INDICATE MILLIMETRES
 DECIMALIZED NUMBERS INDICATE METRES

150 mm W.M.	150 mm W.M.	150 mm W.M.	150 mm W.M.	150 mm W.M.	150 mm W.M.	150 mm W.M.	150 mm W.M.
HYDRANT	HYDRANT	HYDRANT	HYDRANT	HYDRANT	HYDRANT	HYDRANT	HYDRANT
VALVE	VALVE	VALVE	VALVE	VALVE	VALVE	VALVE	VALVE
LAND DRAINAGE SEWER	LAND DRAINAGE SEWER	LAND DRAINAGE SEWER	LAND DRAINAGE SEWER	LAND DRAINAGE SEWER	LAND DRAINAGE SEWER	LAND DRAINAGE SEWER	LAND DRAINAGE SEWER
WASTE WATER SEWER	WASTE WATER SEWER	WASTE WATER SEWER	WASTE WATER SEWER	WASTE WATER SEWER	WASTE WATER SEWER	WASTE WATER SEWER	WASTE WATER SEWER
MANHOLE	MANHOLE	MANHOLE	MANHOLE	MANHOLE	MANHOLE	MANHOLE	MANHOLE
CATCH BASIN	CATCH BASIN	CATCH BASIN	CATCH BASIN	CATCH BASIN	CATCH BASIN	CATCH BASIN	CATCH BASIN
CURB INLET	CURB INLET	CURB INLET	CURB INLET	CURB INLET	CURB INLET	CURB INLET	CURB INLET
JUNCTIONS	JUNCTIONS	JUNCTIONS	JUNCTIONS	JUNCTIONS	JUNCTIONS	JUNCTIONS	JUNCTIONS
CULVERT	CULVERT	CULVERT	CULVERT	CULVERT	CULVERT	CULVERT	CULVERT
GAS	GAS	GAS	GAS	GAS	GAS	GAS	GAS
EXISTING	LEGEND-PLAN	PROPOSED	EXISTING	LEGEND-PLAN	PROPOSED	EXISTING	LEGEND-PROFILE

UNDERGROUND STRUCTURES SUPV. U/G STRUCTURES COMMITTEE DATE		B.M. ELEV.		DESIGNED BY RAW DRAWN BY SKB CHECKED BY RAW APPROVED BY							
NOTE: LOCATION OF UNDERGROUND STRUCTURES AS SHOWN ARE BASED ON THE BEST INFORMATION AVAILABLE. BUT NO GUARANTEE IS GIVEN THAT ALL EXISTING UTILITIES ARE SHOWN OR THAT THE GIVEN LOCATIONS ARE EXACT. CONFIRMATION OF EXISTENCE AND EXACT LOCATION OF ALL SERVICES MUST BE OBTAINED FROM THE INDIVIDUAL UTILITIES BEFORE PROCEEDING WITH CONSTRUCTION.		NO. REVISIONS 2 ISSUED FOR TENDER 01/31/05 NBG 1 ISSUED FOR CITY REVIEW 12/17/04 RAW		HOR. SCALE 1 : 250 VERTICAL		RELEASED FOR CONSTRUCTION DATE		CONSULTANT PROJECT NO. 04-3021-2000		CITY DRAWING NUMBER B108-05-07 SHEET 07 OF 33	
MARYLAND TWIN BRIDGES REHABILITATION PROJECT WEST BRIDGE REHABILITATION										DETOUR WORKS WOLSELEY AVENUE	