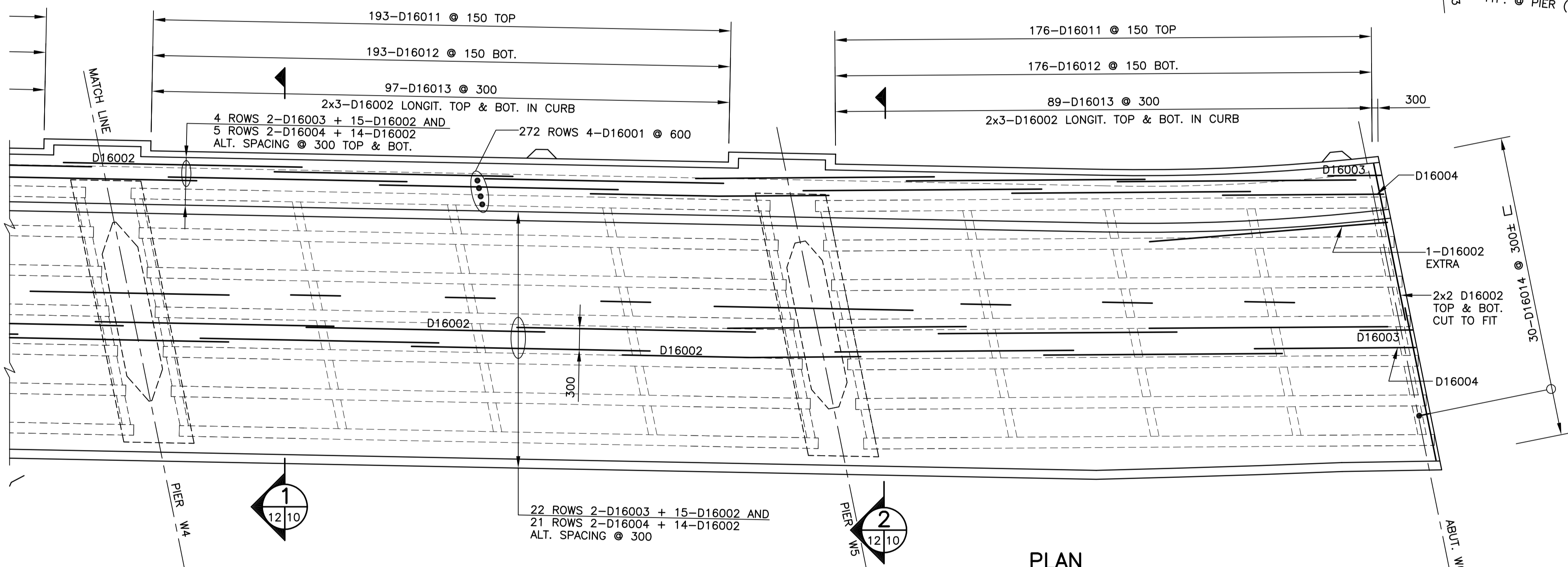
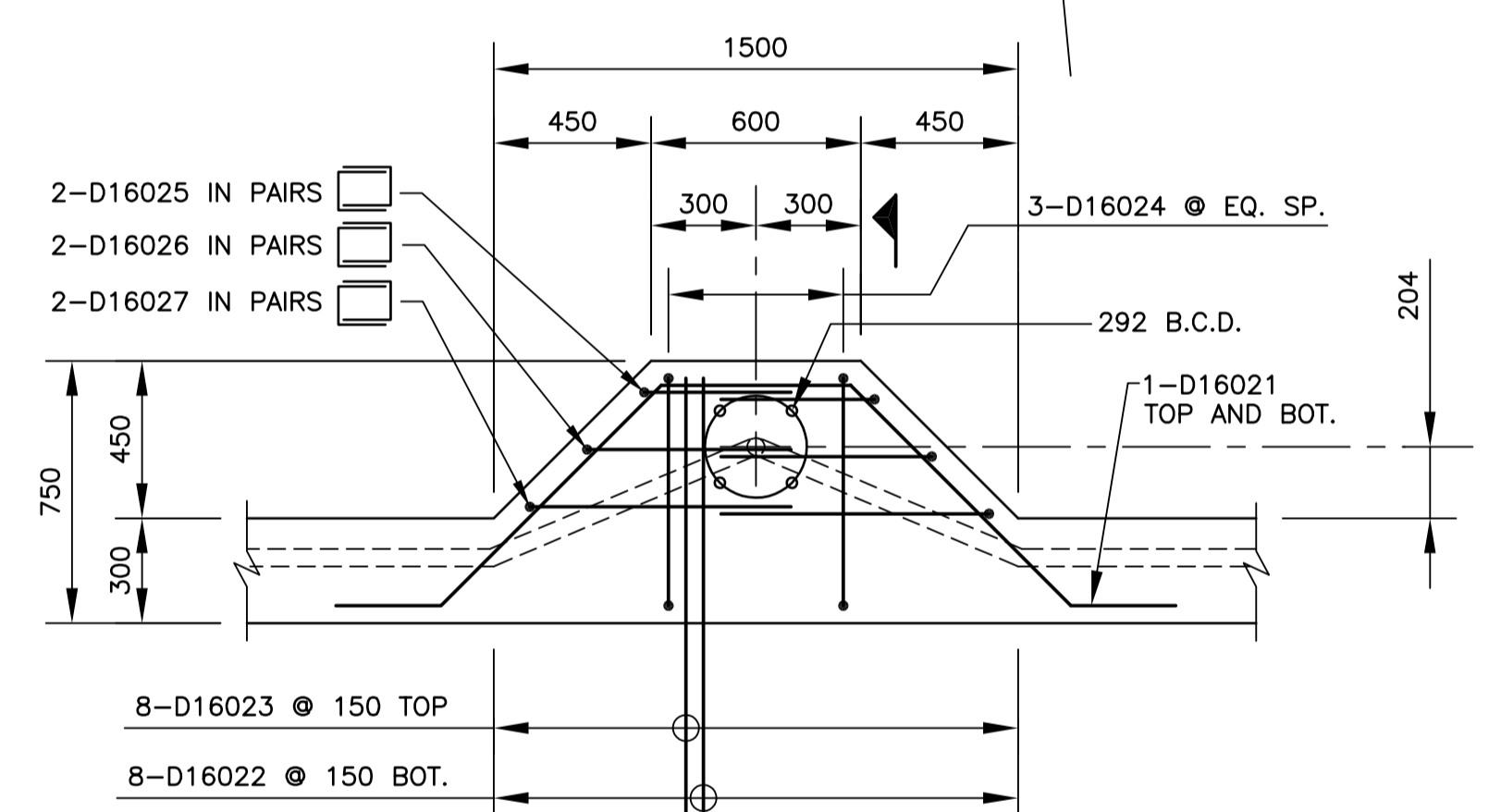


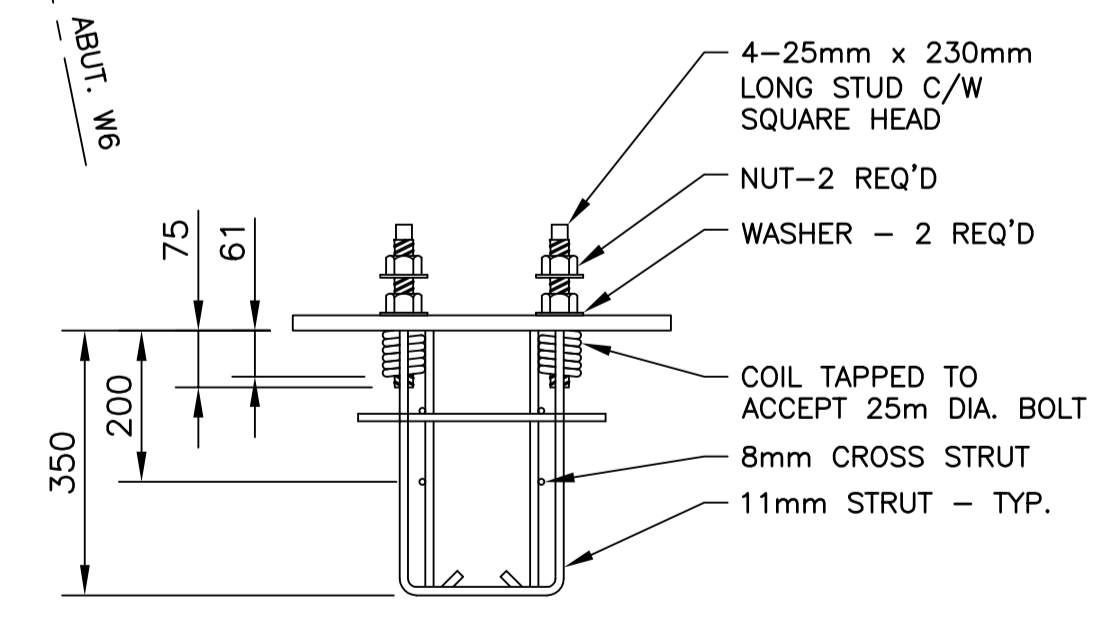
LAP SPLICES	
BAR DIA.	LENGTH
13 mm	1200 mm
16 mm	1400 mm
19 mm	1700 mm



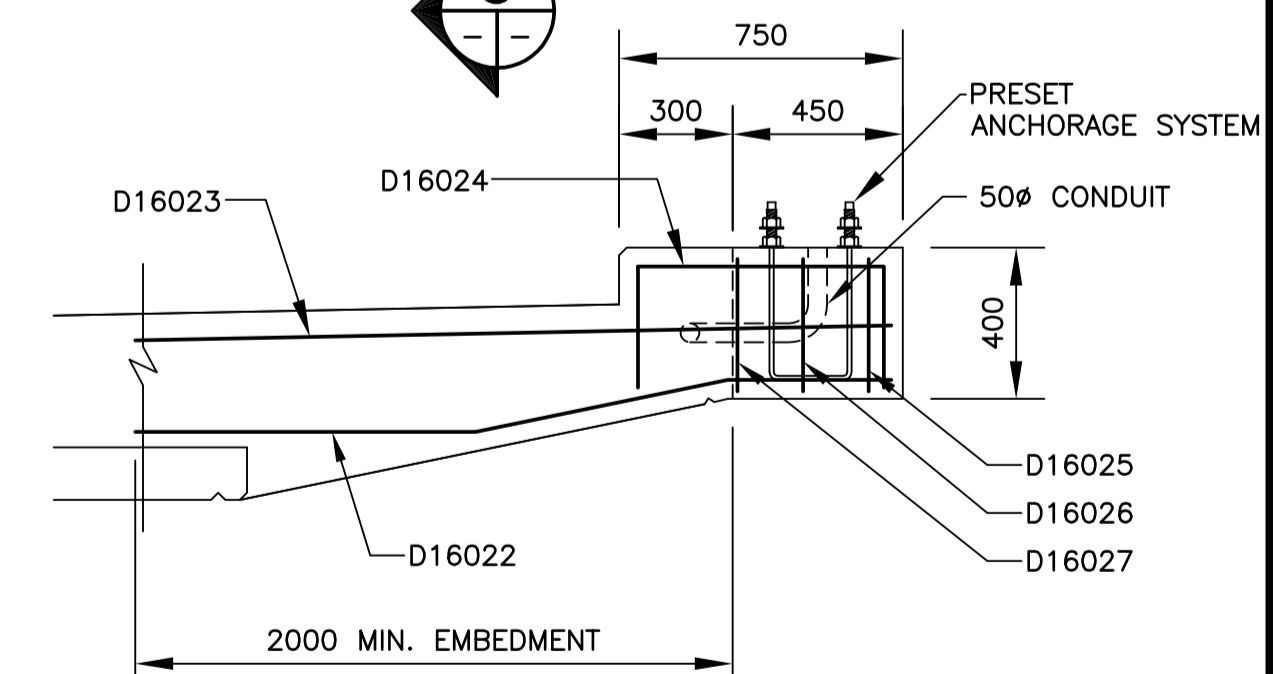
PLAN  
1: 150



TYPICAL LAMP STANDARD BASE  
PLAN  
1: 20

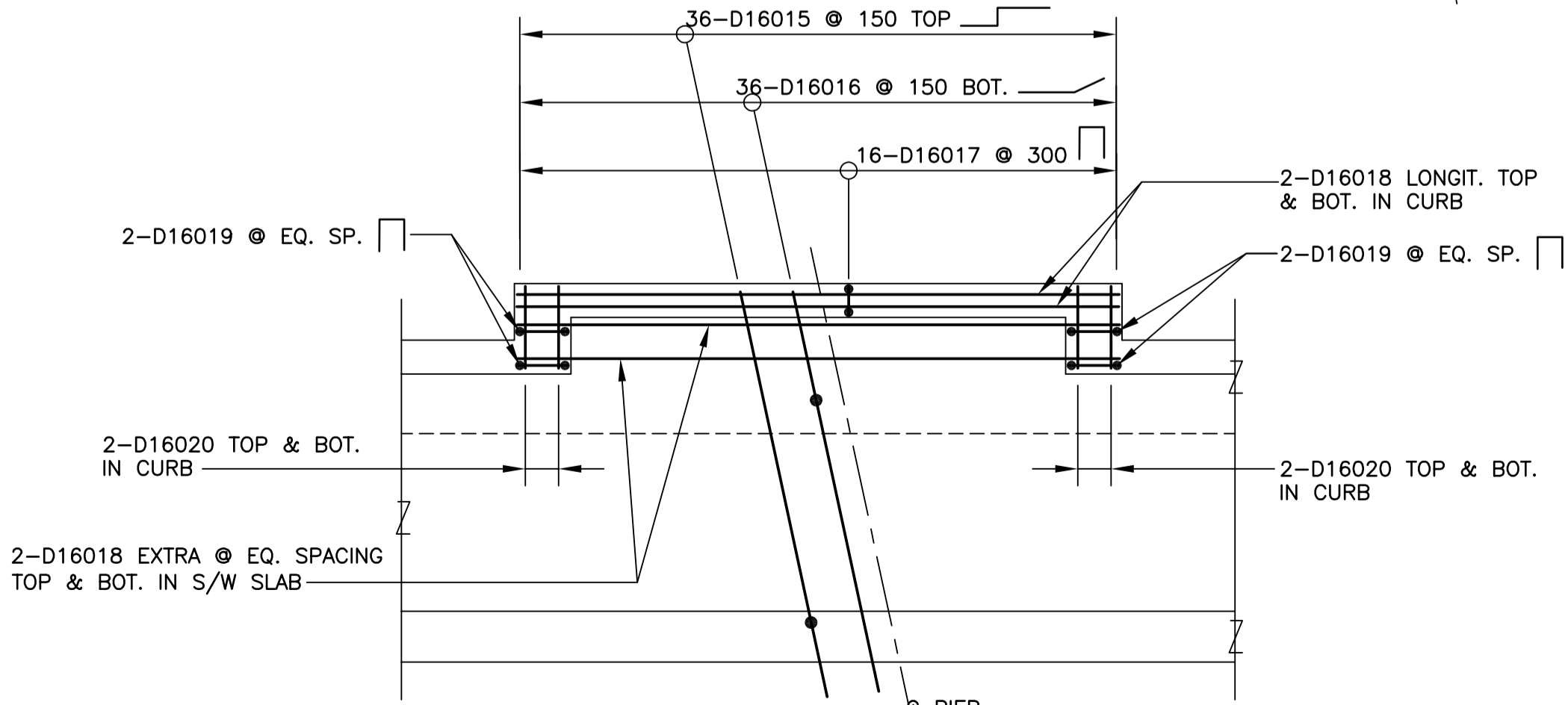


PRESET ANCHORAGE ASSEMBLY  
1: 10



SECTION  
1: 20

- NOTES**
- ASSEMBLY TO BE GALVANIZED ACCORDING TO CAN/CSA-G164-M92
  - STUDS TO BE HI-TENSILE MATERIAL
  - STUDS ARE IMPERIAL THREAD



REST AREA TYPICAL REINFORCING  
1: 50  
AT 4 LOCATIONS

B.M. ELEV.	DESIGNED BY A.S.D.	<p>DILLON CONSULTING</p>	ENGINEER'S SEAL PROVINCE OF MANITOBA A.S. DERAJ REGISTERED PROFESSIONAL ENGINEER	<p>THE CITY OF WINNIPEG PUBLIC WORKS DEPARTMENT</p>		
	DRAWN BY N.B.G. / K.C.		<p>MARYLAND TWIN BRIDGES REHABILITATION PROJECT WEST BRIDGE REHABILITATION</p>		CITY DRAWING NUMBER B108-05-12 SHEET 12 OF 33	
	CHECKED BY R.A.W.					REHABILITATED BRIDGE DECK REINFORCING
	APPROVED BY					
2 ISSUED FOR TENDER 01/31/05 NBG	HOR. SCALE AS NOTED	RELEASED FOR CONSTRUCTION		CONSULTANT PROJECT NO. 04-3021-2000		
1 ISSUED FOR CITY REVIEW 12/17/04 RAW	VERTICAL	DATE DEC. 2004				
NO. REVISIONS	DATE BY					