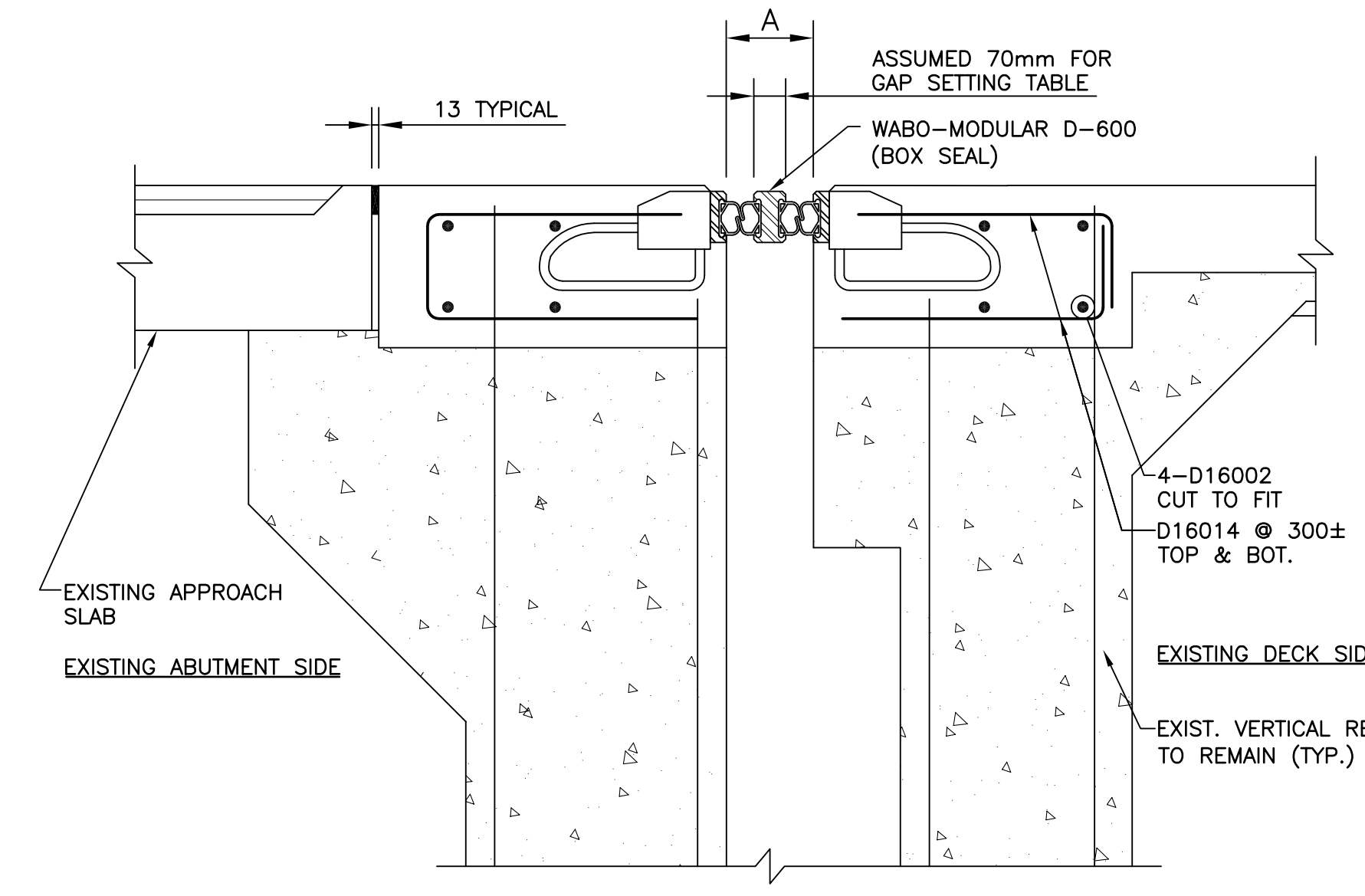
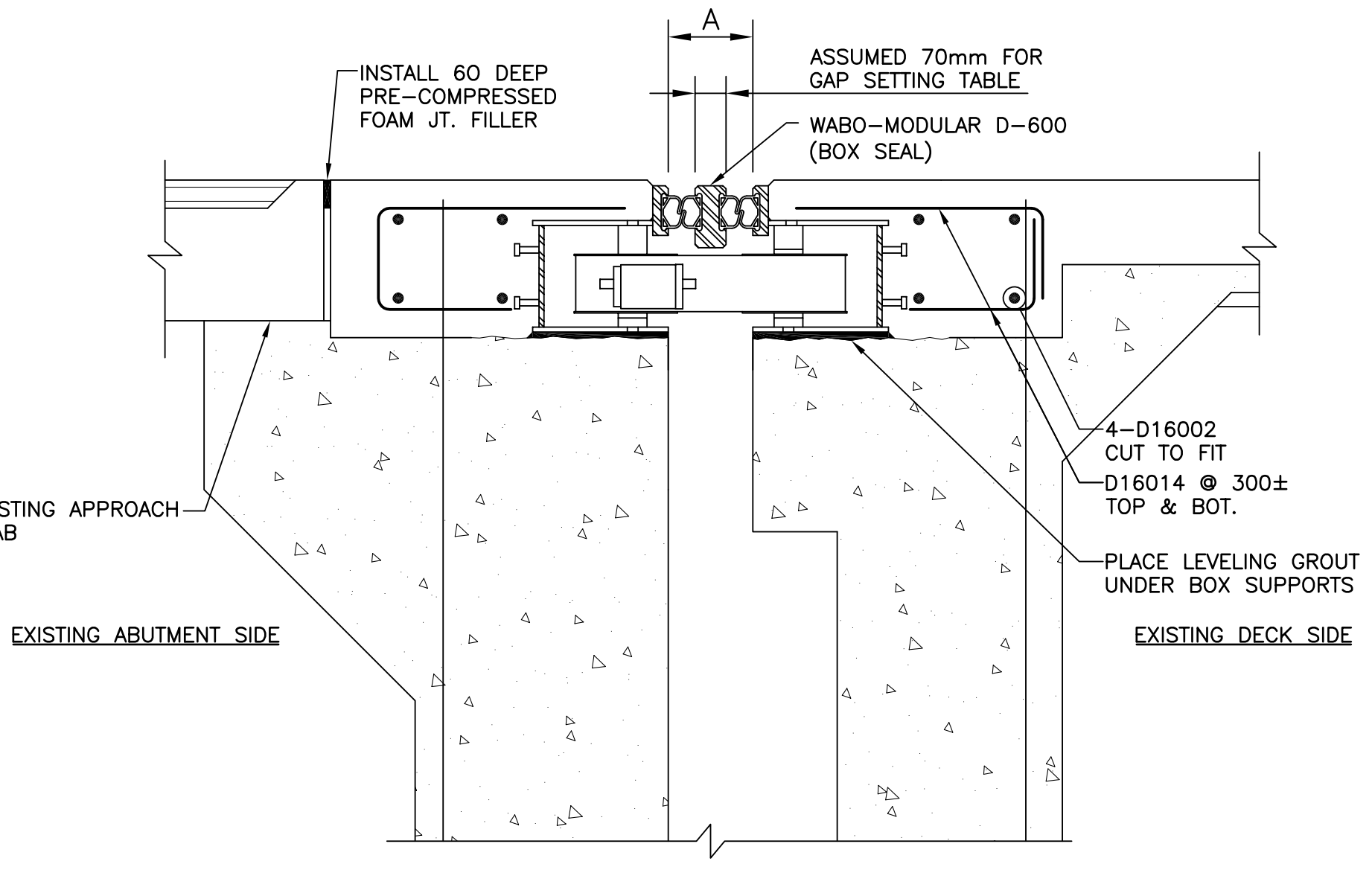


EXPANSION UNIT MK. W-6
1: 25



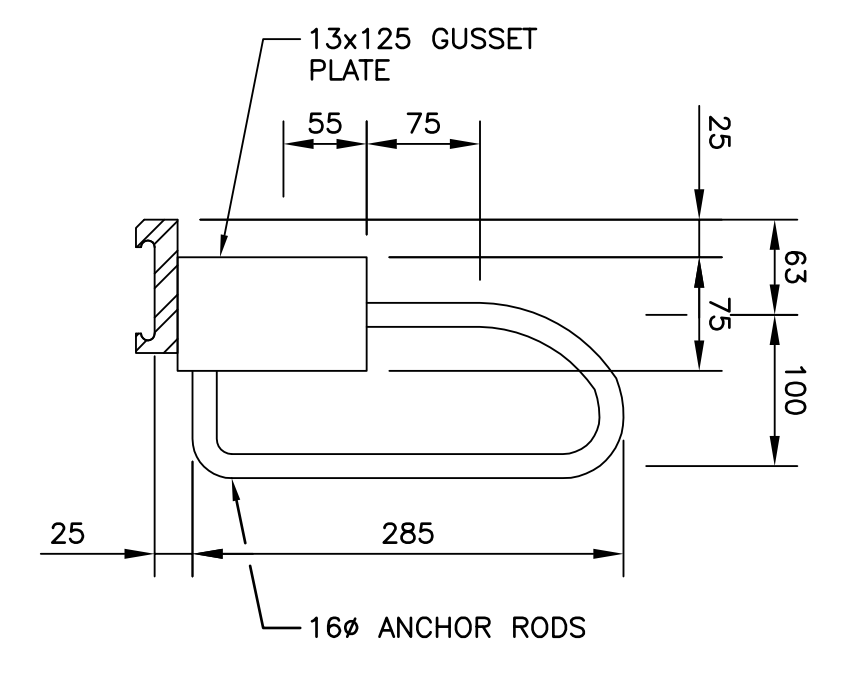
PROPOSED REPLACEMENT

SECTION 1
1: 10



PROPOSED REPLACEMENT

SECTION 2
1: 10



ELEVATION

TYPICAL ANCHOR DETAIL
1: 5

STRUCTURE TEMP (°C)	-30	-25	-20	-15	-10	-5	0	5	10	15	20	25	30
DIM "A"	190	187	183	180	177	173	170	167	163	160	157	153	150

B.M. ELEV. DESIGNED BY: R.A.W. DRAWN BY: N.B.G. / K.C. CHECKED BY: R.A.W. APPROVED BY: 2 ISSUED FOR TENDER 01/31/05 NBG 1 ISSUED FOR CITY REVIEW 12/17/04 RAW NO. REVISIONS DATE BY DATE	DILLON CONSULTING RELEASED FOR CONSTRUCTION DATE	ENGINEER'S SEAL PROVINCE OF MANITOBA R. A. WIEBE REGISTERED PROFESSIONAL ENGINEER CONSULTANT PROJECT NO. 04-3021-2000	THE CITY OF WINNIPEG PUBLIC WORKS DEPARTMENT MARYLAND TWIN BRIDGES REHABILITATION PROJECT WEST BRIDGE REHABILITATION EXPANSION JOINT 2 OF 3		CITY DRAWING NUMBER B108-05-15 SHEET 15 OF 33
			MARYLAND TWIN BRIDGES REHABILITATION PROJECT WEST BRIDGE REHABILITATION EXPANSION JOINT 2 OF 3		CITY DRAWING NUMBER B108-05-15 SHEET 15 OF 33