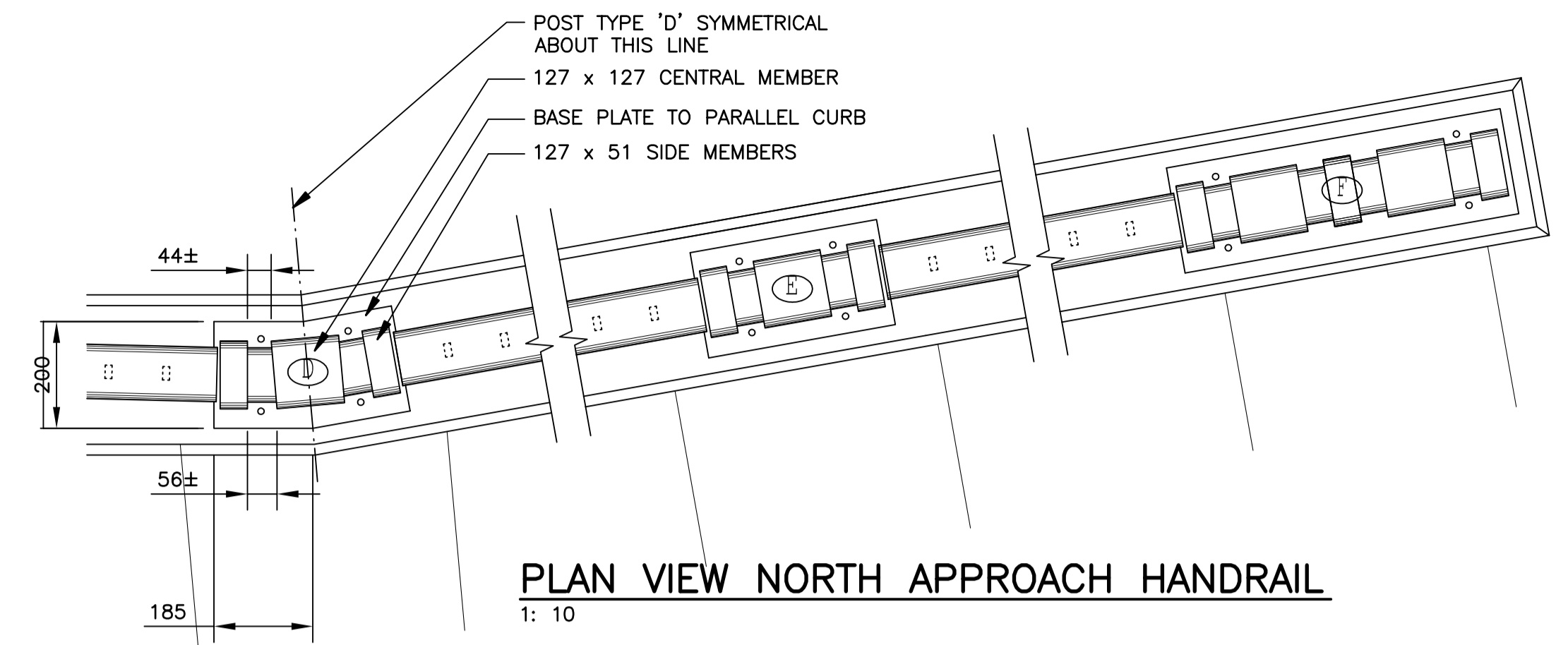
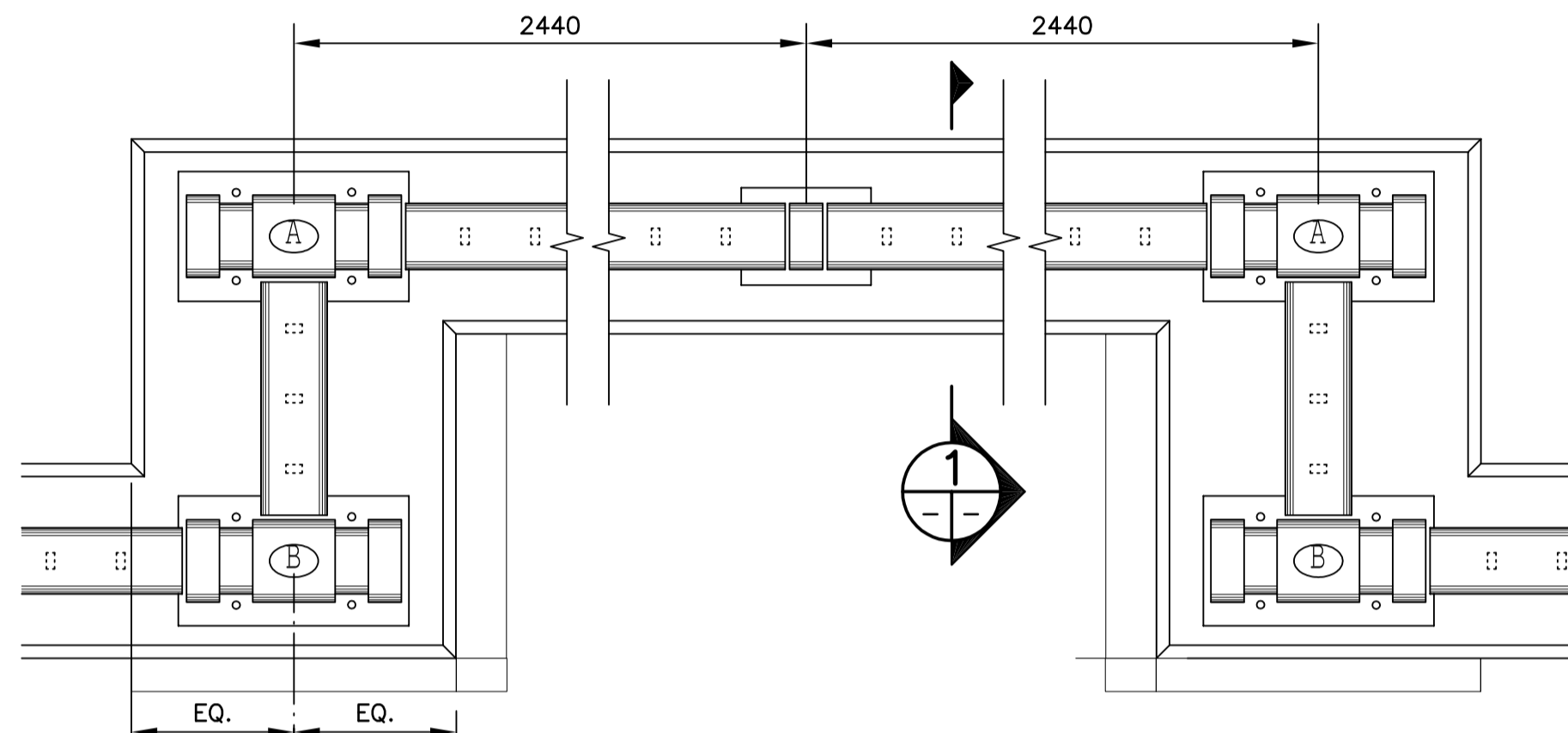


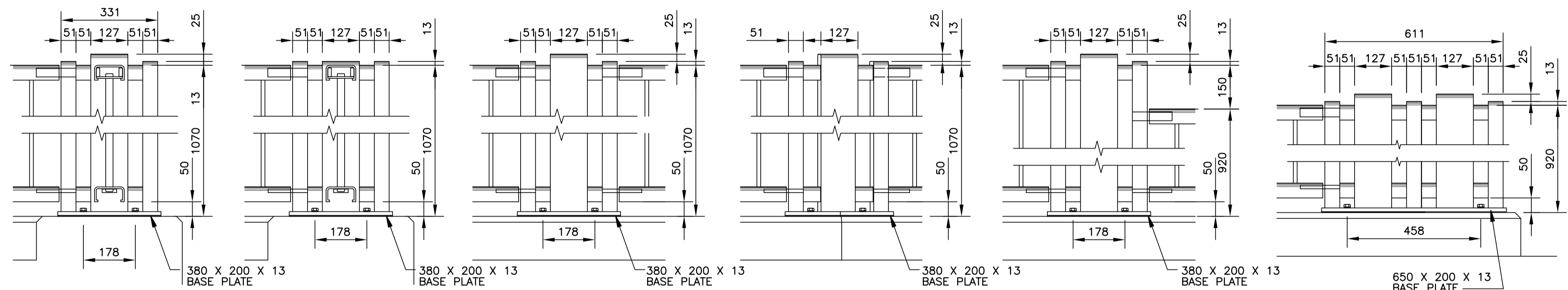
PLAN VIEW SOUTH APPROACH HANDRAIL
1: 10



PLAN VIEW NORTH APPROACH HANDRAIL
1: 10



PLAN VIEW TYPICAL REST AREA
1: 10



POST TYPE A
1: 10

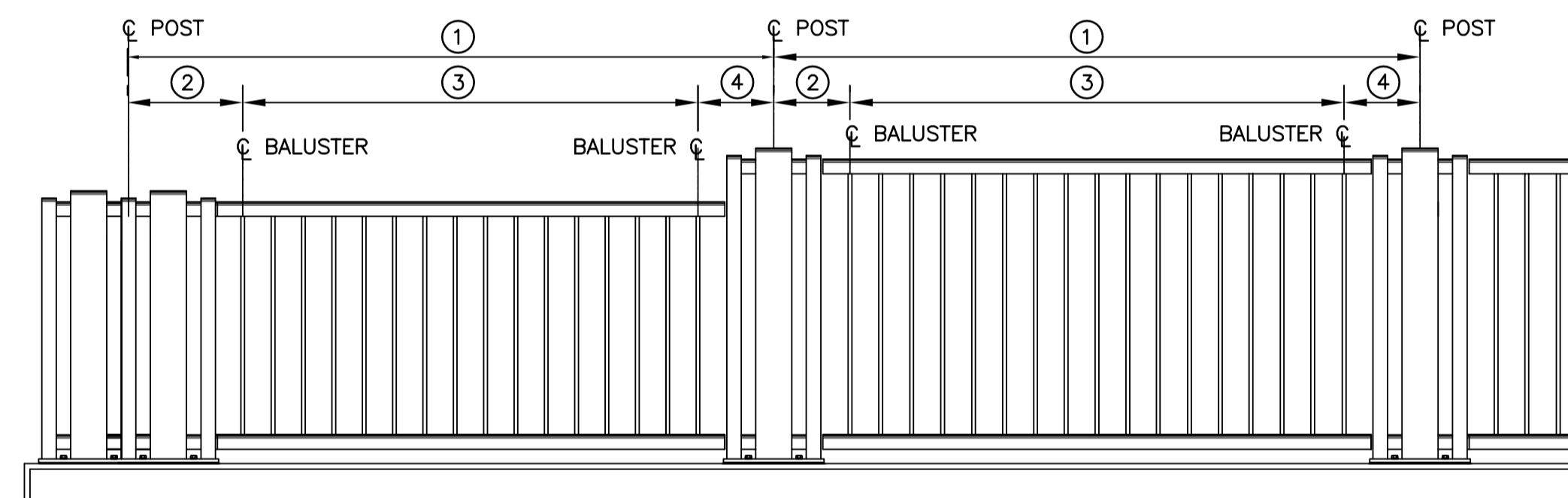
POST TYPE B
1: 10

POST TYPE C
1: 10

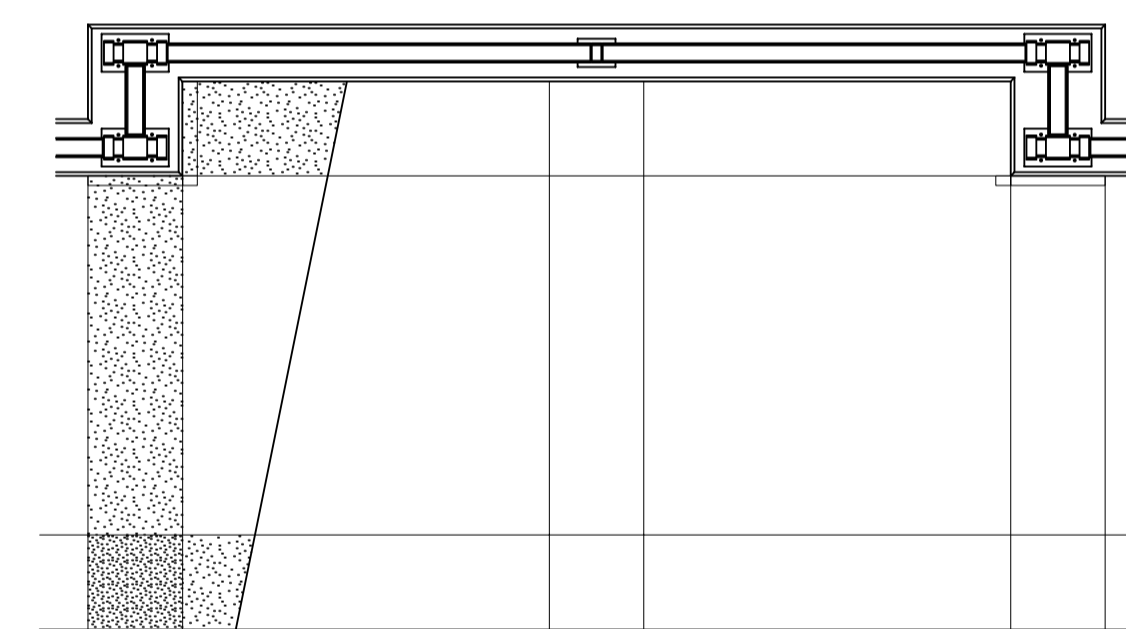
POST TYPE D
1: 10

POST TYPE E
1: 10

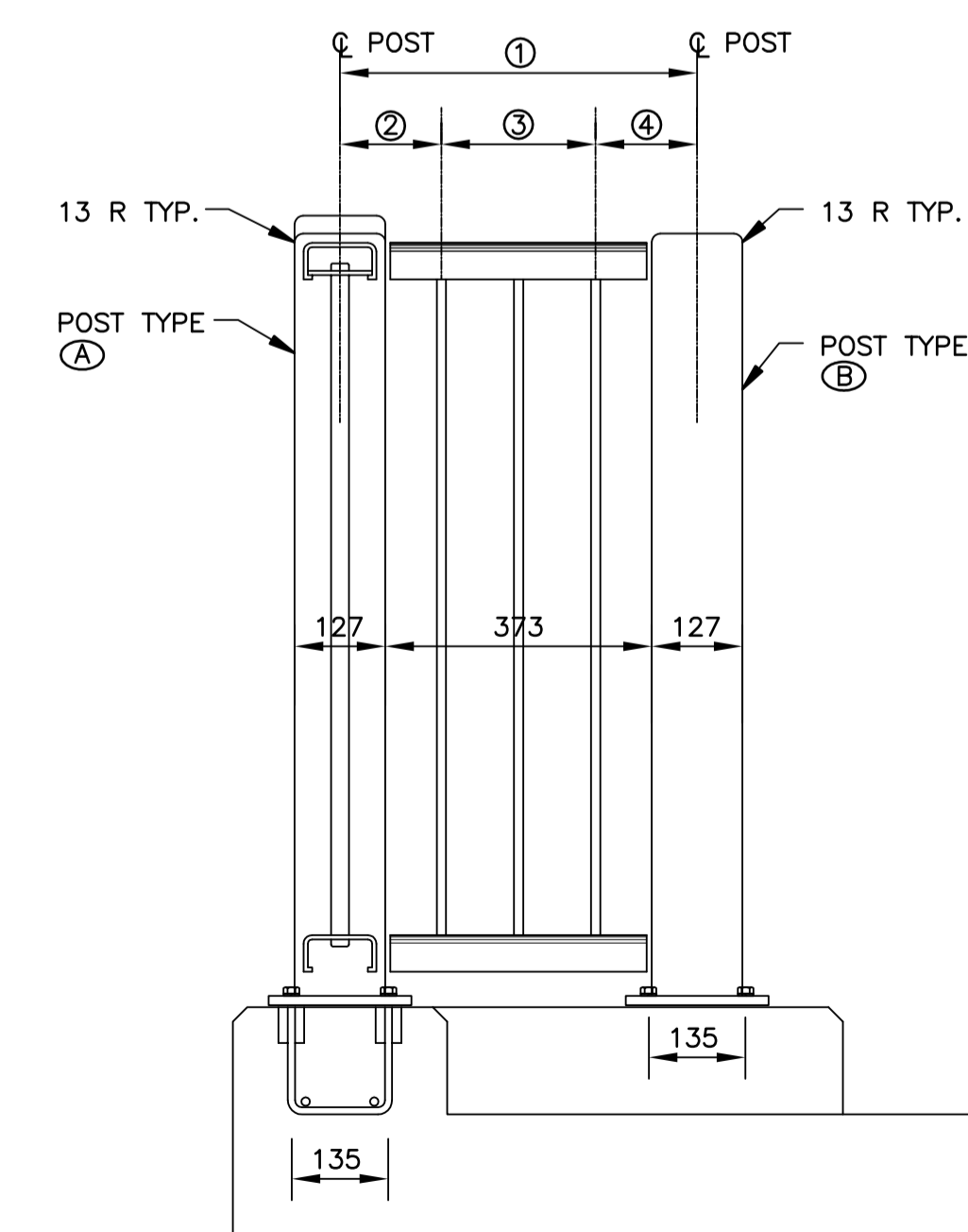
POST TYPE F
1: 10



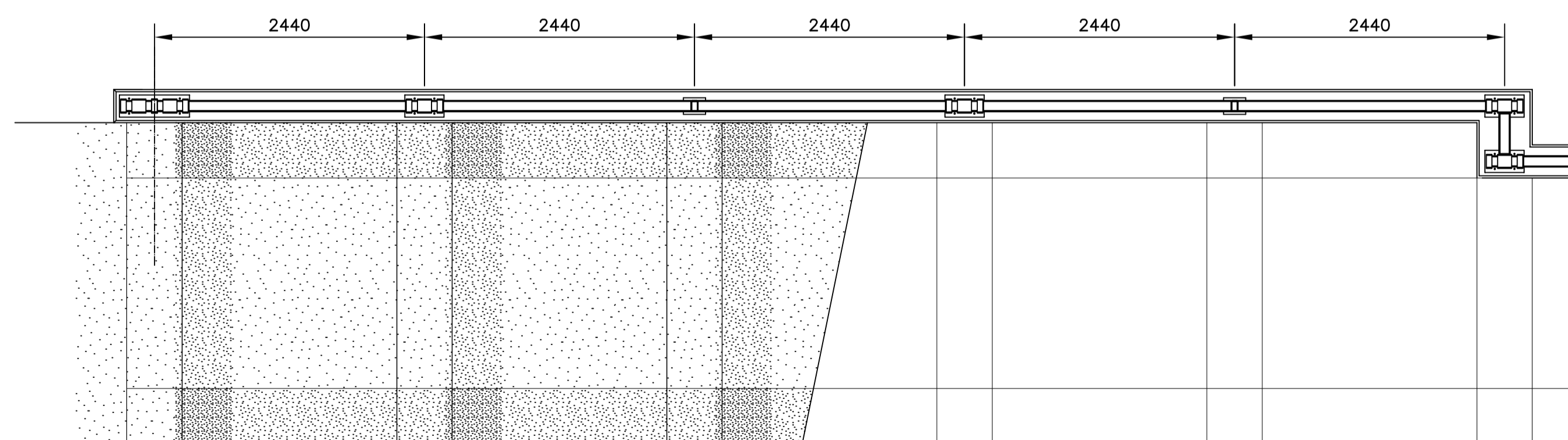
ELEVATION OF SOUTH END OF HANDRAIL
1: 20



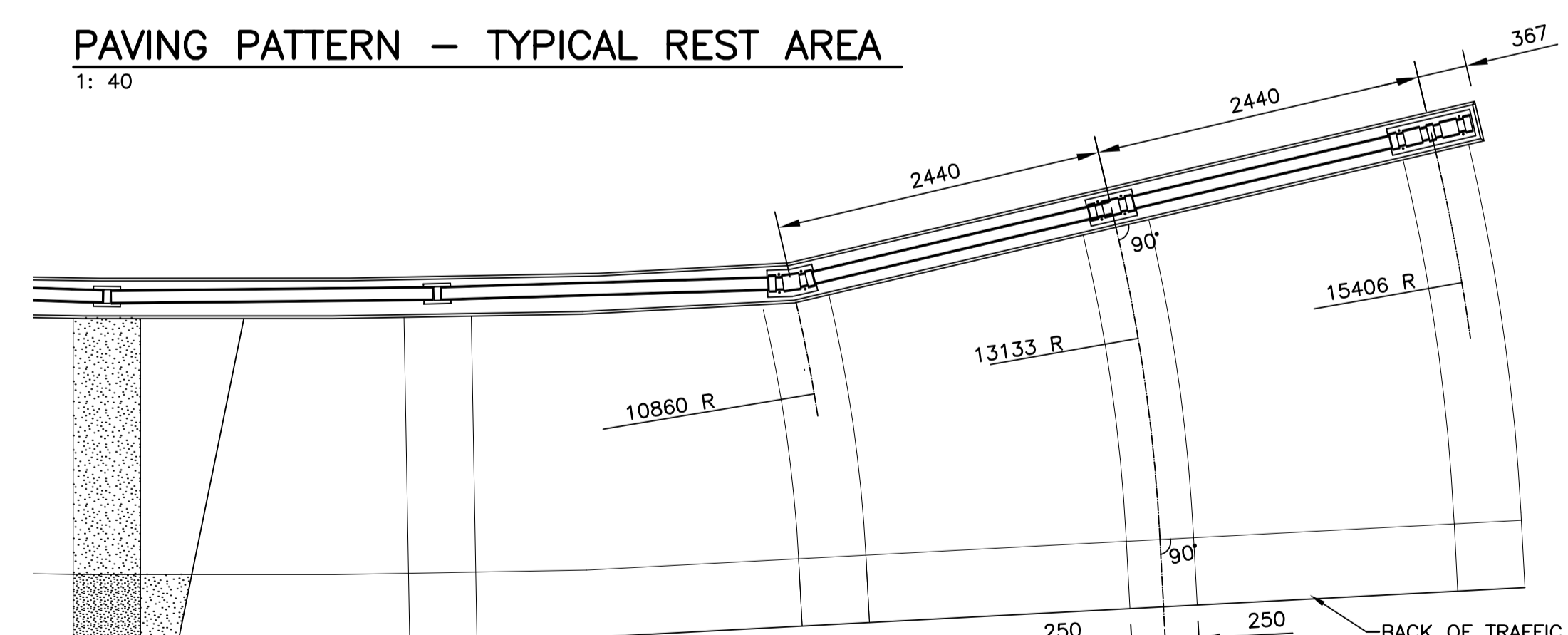
PAVING PATTERN - TYPICAL REST AREA
1: 40



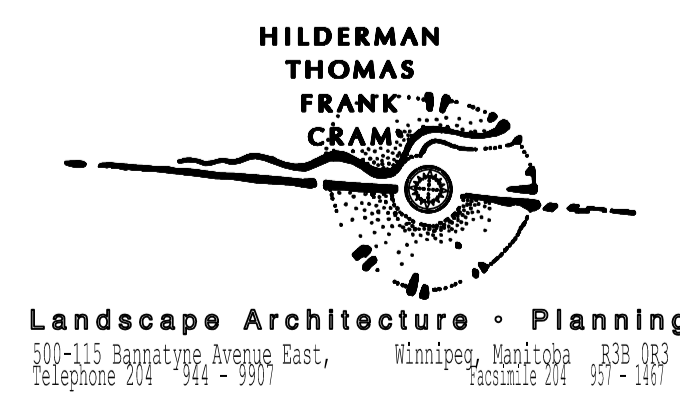
SECTION 1
1: 10



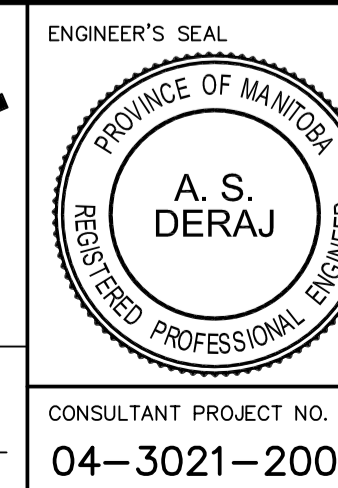
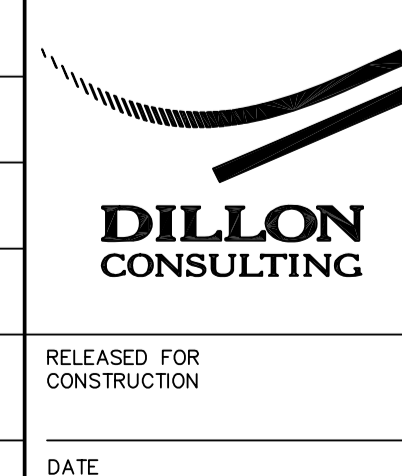
PAVING PATTERN - SOUTH APPROACH
1: 40



PAVING PATTERN - NORTH APPROACH
1: 40



B.M. ELEV.	DESIGNED BY	R.G.M.
	DRAWN BY	M.M.
	CHECKED BY	R.G.M.
	APPROVED BY	
2 ISSUED FOR TENDER	01/31/05	NBG
1 ISSUED FOR CITY REVIEW	12/17/04	RAW
NO. REVISIONS	DATE	BY
	DATE	DEC., 2004



THE CITY OF WINNIPEG
PUBLIC WORKS DEPARTMENT

Winnipeg

MARYLAND TWIN BRIDGES REHABILITATION PROJECT
WEST BRIDGE REHABILITATION

CUSTOM PEDESTRIAN HANDRAIL & SIDEWALK FINISHING DETAILS

CITY DRAWING NUMBER: B108-05-21
SHEET 21 OF 33

CONSULTANT PROJECT NO. 04-3021-2000