



10 BASEBALL FIELD LOOKING EAST



9 BASEBALL FIELD LOOKING NORTH



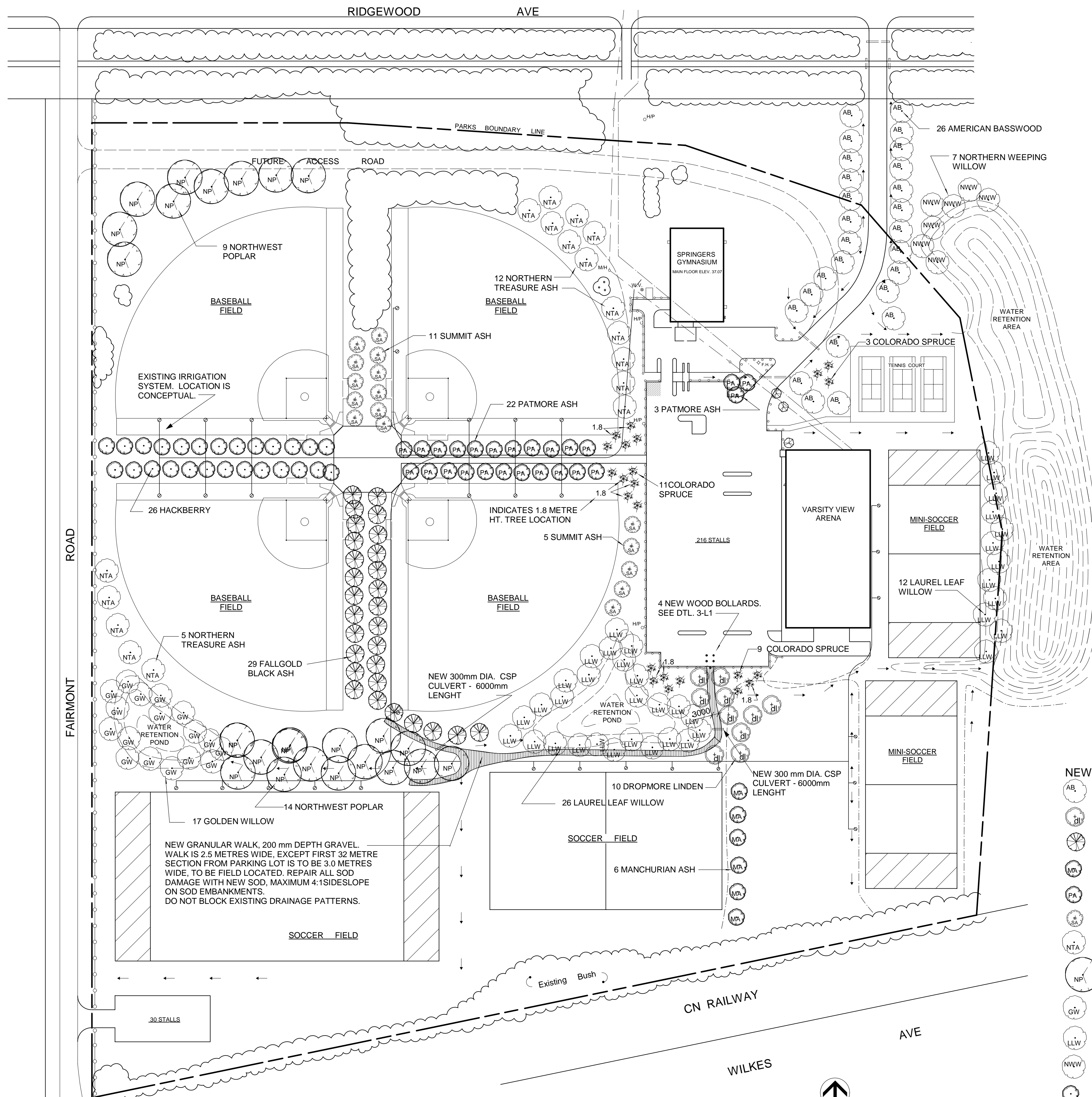
8 BASEBALL FIELD LOOKING WEST



7 BASEBALL FIELD LOOKING SOUTH

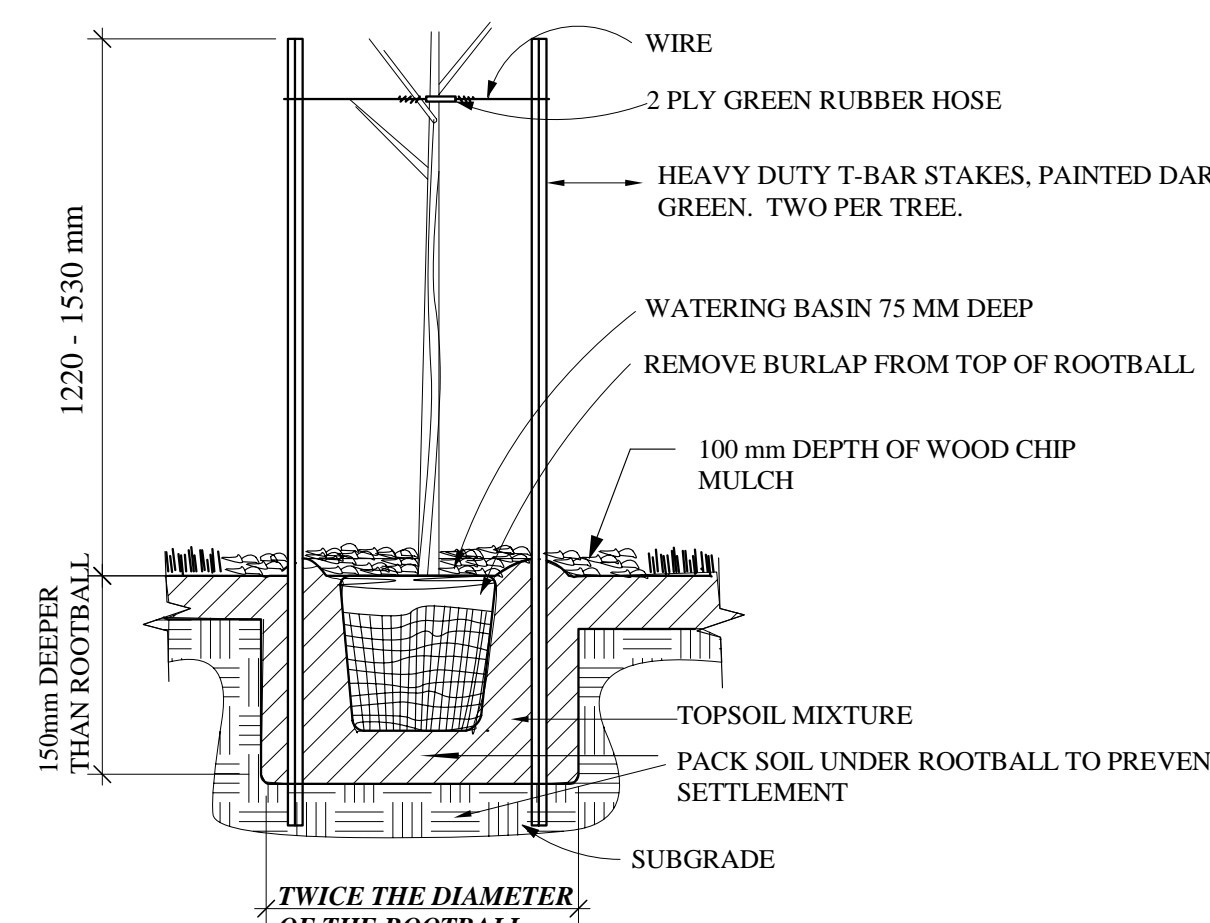


6 SOCCER FIELD LOOKING NORTH TO PARKING LOT

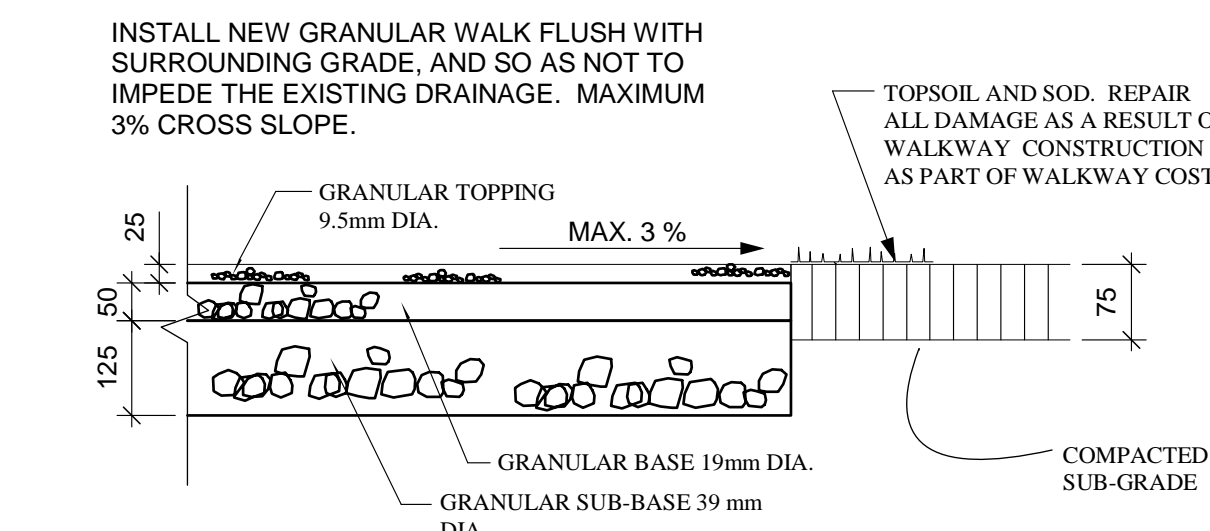


1 LANDSCAPE PLAN
Scale: 1:1000

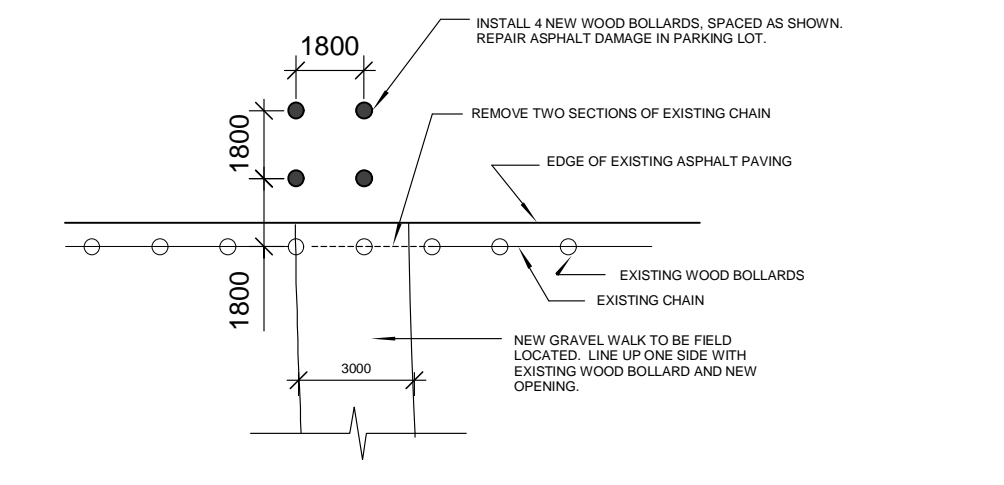
SCALE 0 50 100 METRES



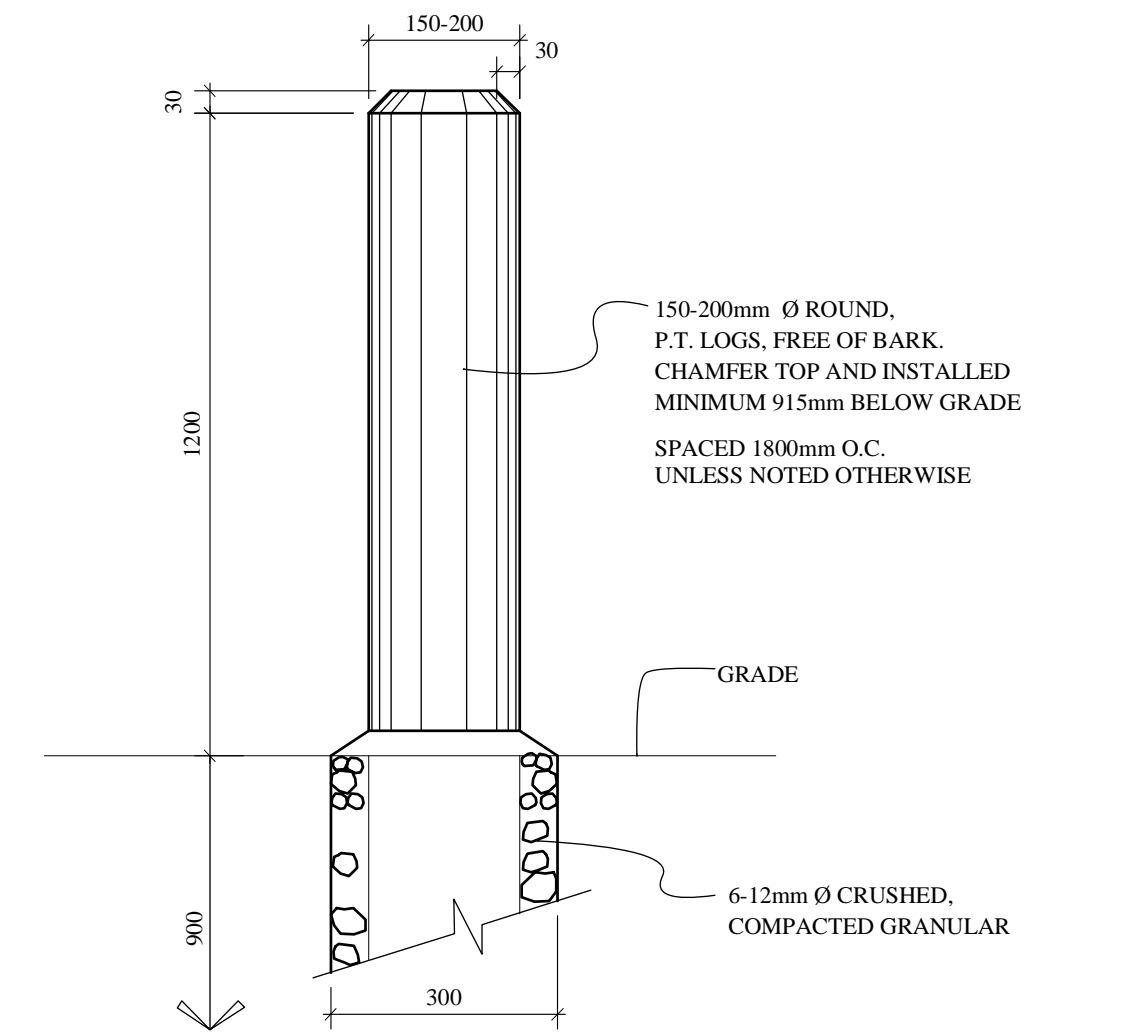
2 TREE PIT / PLANTING DETAIL
Scale: 1:10



5 GRAVEL WALKWAY SECTION
Scale: 1:10



3 WALKWAY ENTRANCE PLAN
Scale: 1:200



4 WOOD BOLLARD ELEVATION
Scale: 1:10

- GENERAL NOTES:**
- LOCATE AND PROTECT ALL UNDERGROUND UTILITIES PRIOR TO COMMENCING CONSTRUCTION.
 - REPAIR SOD DAMAGE AS A RESULT OF CONSTRUCTION, TO PRIOR CONSTRUCTION SITE CONDITIONS.
 - LEGALLY DISPOSE OF ALL EXCAVATED MATERIAL OFF SITE.
 - STAKE THE LOCATION OF ALL TREE PLANTINGS PRIOR TO EXCAVATING THE TREE PITS, AND HAVE THE CONTRACT ADMINISTRATOR APPROVE THE LOCATIONS.
 - THE LOCATION OF THE WALKWAY WILL BE FIELD LOCATED BY THE CONTRACT ADMINISTRATOR. THE TWO CULVERTS ARE TO BE INSTALLED WITH THE INVERTS 100mm BELOW EXISTING GRADE. RAMP NEW WALK UP AND OVER CULVERTS. AT A 15 METRE DISTANCE ON EACH SIDE OF CULVERT. MIN. 150mm COVER ON TOP OF CULVERT. SIDESLOPES ON GRASS CULVERT EMBANKMENT NOT TO EXCEED 4:1 SLOPE.
 - LOCATION OF IRRIGATION SYSTEM IS APPROXIMATE ONLY. CONTRACTOR SHALL NOT RELY ON USING IRRIGATION SYSTEM TO MAINTAIN TREE PLANTINGS.

NEW TREE PLANTING LEGEND:

- AB AMERICAN BASSWOOD
- DL DROPMORE LINDEN
- FB FALLGOLD BLACK ASH
- MA MANCHURIAN ASH
- SA SUMMIT ASH
- NTA NORTHERN TREASURE ASH
- NP NORTHWEST POPLAR
- GW GOLDEN WILLOW
- LLW LARUEL LEAF WILLOW
- NWV NORTHERN WEEPING WILLOW
- H HACKBERRY
- CS 1.2 HT. COLORADO SPRUCE
- CS 1.28HT. COLORADO SPRUCE

| QUANTITY | COMMON NAME / BOTANICAL NAME | SIZE/REMARKS |
|--------------|---|---|
| Trees | | ALL TREES TO BE SPECIMEN QUALITY |
| 23 | Colorado Spruce/ <i>Picea pungens</i> | 15 @ 1220 mm ht. and 8 @ 1830 mm ht. 50% blue, 50% green. Min. rootball size: 1220 hl/610mm dia., 1830 hl/750 dia. Single stake 1220 ht. Double stake 1830 ht. |
| 26 | American Basswood/ <i>Tilia americana</i> | Min. 50 mm cal. 2440 mm ht. All single stem (or contractor may supply all clump forms). Well branched head above 1220 mm ht. Min. 750 mm dia. rootball. Two stakes. |
| 10 | Dropmore Linden/ <i>Tilia x flavescens 'dropmore'</i> | Min. 50 mm cal. 2440 mm ht. Single stem. Well branched head above 1220 mm ht. Min. 750 mm dia. rootball. Two stakes. |
| 29 | Fallgold Black Ash/ <i>Fraxinus nigra 'Fall Gold'</i> | As above |
| 16 | Summit Ash/ <i>Fraxinus pennsylvanica 'Summit'</i> | As above |
| 6 | Manchurian Ash/ <i>Fraxinus mandshurica</i> | As above |
| 25 | Patmore Ash/ <i>Fraxinus pennsylvanica 'Patmore'</i> | As above |
| 17 | Northern Treasure Ash/ <i>Fraxinus 'Northern Treasure'</i> | As above |
| 23 | Northwest Poplar/ <i>Populus X jacki 'Northwest'</i> | As above |
| 26 | Common Hackberry/ <i>Celtis occidentalis</i> | As above |
| 17 | Golden Willow/ <i>Salix alba 'Vitellina'</i> | Min. 4 stems, each stem to be min. 1220 mm ht. Container or b&b. Min. 400 mm dia. rootball. No staking required. |
| 38 | Laurel Leaf Willow/ <i>Salix petandra</i> | As above |
| 7 | Northern Fountain Weeping Willow/ <i>Salix 'Northern Fountain'</i> | As above |

RELEASED FOR CONSTRUCTION
MANAGER PARKS & OPEN SPACE DIVISION

| NO. | REVISIONS | BY | DATE |
|---|-----------|--------------|-----------|
| PROJECT TITLE | | | |
| MARJ EDEY PARK | | | |
| DRAWING TITLE | | | |
| LANDSCAPE / WALKWAY IMPROVEMENT PLAN | | | |
| KEN RECH LANDSCAPE ARCHITECTS INC. | | | |
| 1480 Wellington Crescent Winnipeg Manitoba Fax 489-6852 R3N 0B3 Tel(204)489-6616 | | | |
| DRAWN BY | | SCALE | SHEET NO. |
| K. RECH | | AS NOTED | L-1 |
| CHECKED | | DATE | |
| | | FEB. 9, 2004 | |
| FILE NO. | | REVISION | |
| 03-14-C | | | |