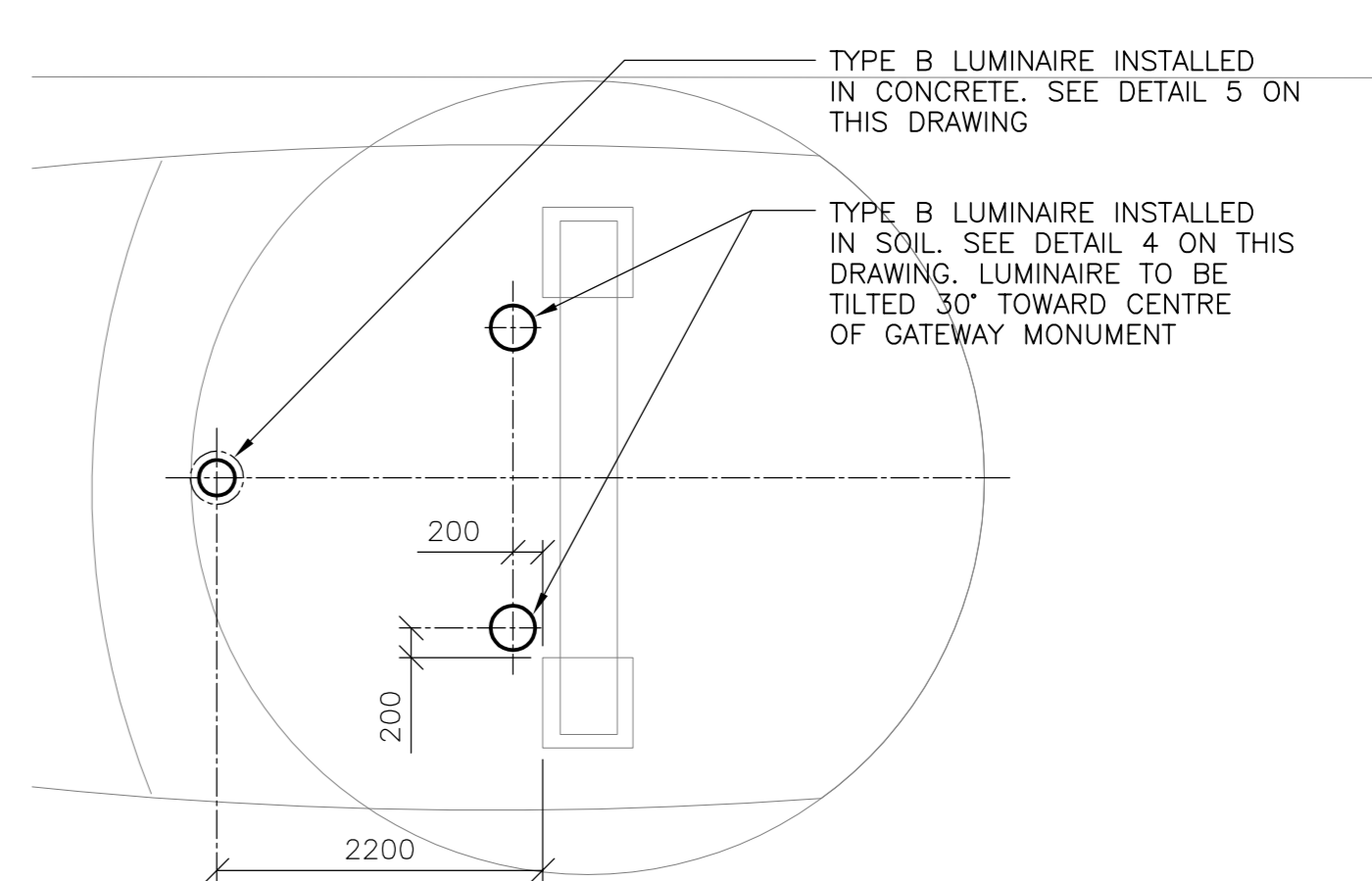


2 GATEWAY ENTRY FEATURE LIGHTING DETAIL
N.T.S.

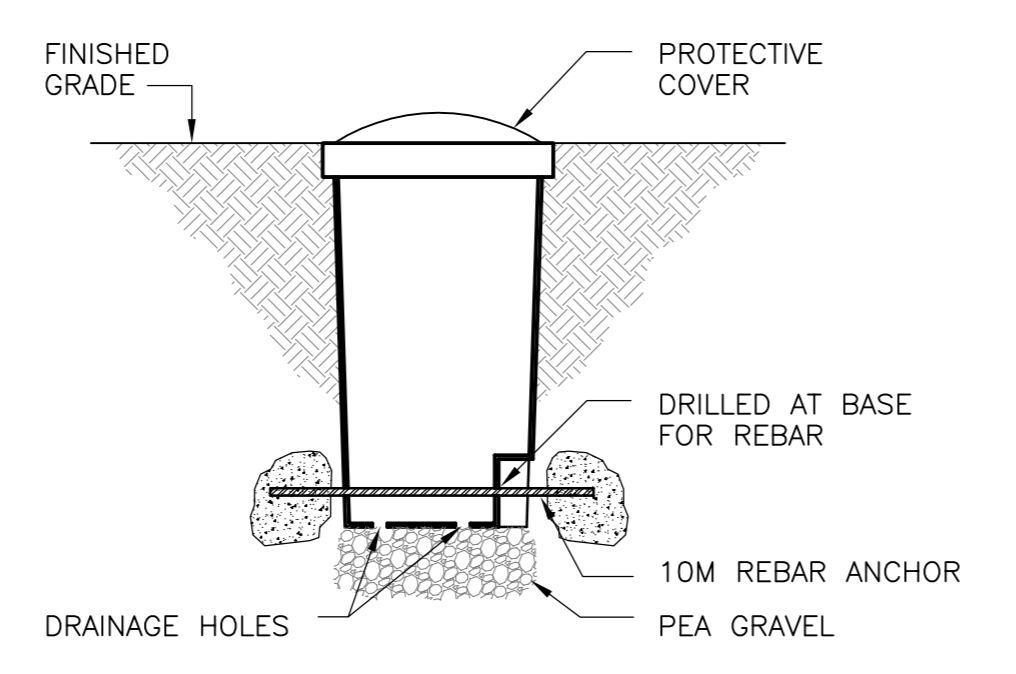


3 EXISTING MEDIAN MONUMENT LIGHTING DETAIL
N.T.S.

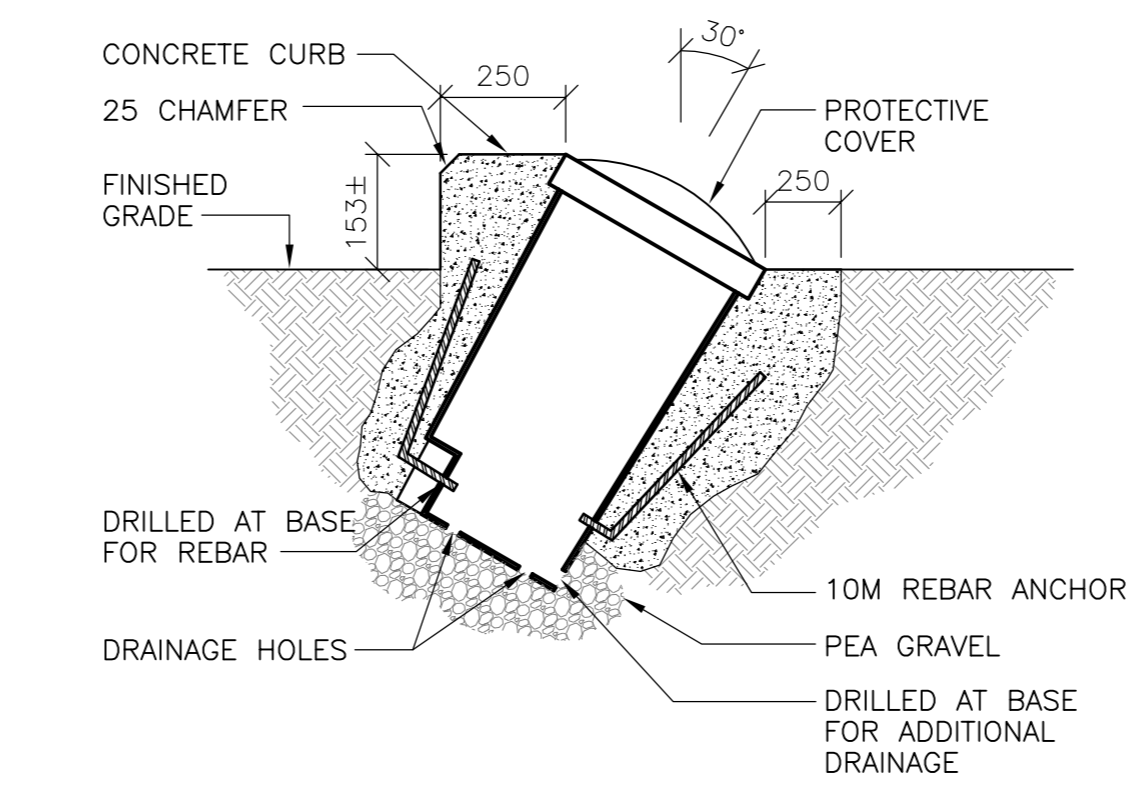
1 ELECTRICAL SITE PLAN
N.T.S.

ELECTRICAL SPECIFICATION:

- SCOPE OF WORK:** THE CONTRACT SHALL INCLUDE THE FURNISHINGS OF LABOUR, NEW MATERIAL, EQUIPMENT AND SERVICES NECESSARY AND REASONABLE IMPLIED AND INCIDENTAL TO THE COMPLETE INSTALLATION OF THE ELECTRICAL WORK SHOWN ON THE PLANS AND IN SPECIFICATIONS. SUPPLY AND INSTALL ALL DEVICES AND MATERIALS REQUIRED FOR THE COMPLETE APPROVED SYSTEM, OPERATING TO THE SATISFACTION OF THE ENGINEER.
- LAWS, RULES, ORDINANCES AND INSPECTIONS:** THE ENTIRE ELECTRICAL INSTALLATION SHALL COMPLY WITH THE LATEST EDITION OF THE CANADIAN ELECTRICAL CODE AND WITH ALL PROVINCIAL AND MUNICIPAL LAWS, RULES AND ORDINANCES. PREPARE AND SUBMIT TO THE PROPER AUTHORITIES ALL NECESSARY PERMITS AND PAY ALL PERMIT FEES.
- RESPONSIBILITY:** BE RESPONSIBLE FOR ANY DAMAGE CAUSED THE OWNERS OR THEIR CONTRACTORS BY IMPROPERLY CARRYING OUT THIS CONTRACT.
- DRAWINGS:** THE ELECTRICAL CONTRACTOR SHALL CAREFULLY EXAMINE ALL DRAWINGS RELATING TO THE WORK, TO BE CERTAIN THAT THE WORK UNDER THIS CONTRACT CAN BE CARRIED OUT AND, PRIOR TO THE SUBMISSION OF HIS/HER TENDER, REPORT TO THE ENGINEER ANY DEFECT, DISCREPANCY, OMISSION OR INTERFERENCE AFFECTING THE WORK OF THIS SECTION OR THE GUARANTEE OF SAME.
- EXISTING WORK:** THE ELECTRICAL CONTRACTOR SHALL TAKE INTO ACCOUNT ITEMS WHICH HE/SHE IS RESPONSIBLE FOR DUE TO THE CHANGES AND ALTERATIONS TO THE EXISTING SITE AND ALLOW FOR SUCH ITEMS THAT MAY OCCUR IN HIS/HER TENDERED PRICE.
- MINIMUM WIRE SIZE #12 AWG. ALL WIRING TO BE COPPER.



4 IN-GROUND LIGHT INSTALLATION DETAIL IN SOIL WITH CONCRETE ANCHOR
N.T.S.



5 IN-GROUND LIGHT INSTALLATION DETAIL IN CONCRETE
N.T.S.

PRELIMINARY DRAWING ONLY
NOT TO BE USED FOR CONSTRUCTION
(REMOVE WHEN DRAWING IS FINAL)

B.M. ELEV.	F.B.	WARDROP Engineering Inc.	
		DESIGNED BY L.K.	CHECKED BY
		DRAWN BY H.P.C.C.	APPROVED BY
		HOR. SCALE: N.T.S.	RELEASED FOR CONSTRUCTION
		VERTICAL:	
NO. REVISIONS	DATE	DATE 04.07.076	DATE

THE CITY OF WINNIPEG
PLANNING, PROPERTY AND DEVELOPMENT

PROVENCHER STREETSAPING
PROVENCHER BOULEVARD / TACHE AVE
GATEWAY FEATURE LIGHTING

CITY DRAWING NUMBER
SHEET OF
E101

CONSULTANT DRAWING NO.
031572.02.00