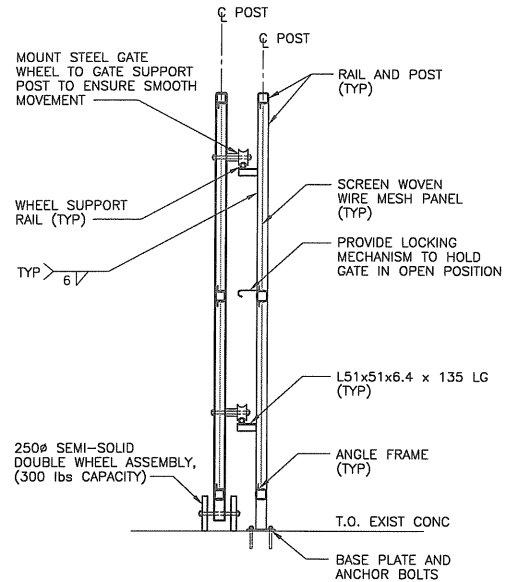
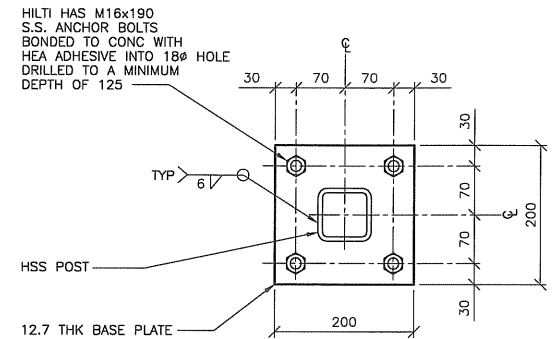


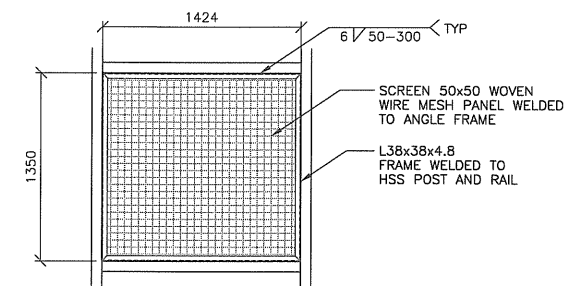
1 ROLLING GATE/FENCE ELEVATION
1 : 25



2 SECTION
1 : 25



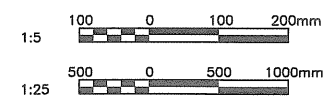
3 BASE PLATE DETAIL
1 : 5



4 SCREEN MESH DETAIL
1 : 25

- GENERAL NOTES**
1. SHOP DRAWINGS SHALL BE SUBMITTED FOR ALL METAL FABRICATION.
 2. ROLLING GATE/FENCE SHALL BE POWDER COATED 'BLACK' IN ACCORDANCE WITH THE SPECIFICATIONS.

PRELIMINARY DRAWING ONLY
NOT TO BE USED FOR CONSTRUCTION
(REMOVE WHEN DRAWING IS FINAL)



B.M. ELEV.					
DESIGNED BY	C.R.M.	CHECKED BY			
DRAWN BY	G.I.	APPROVED BY			
HOR. SCALE	AS NOTED	RELEASED FOR CONSTRUCTION			
VERTICAL					
0 ISSUED FOR ADDENDUM	04.06.29	C.R.M.			
NO. REVISIONS	DATE	BY	DATE	04.06.29	DATE

		THE CITY OF WINNIPEG PLANNING, PROPERTY AND DEVELOPMENT	
		RED RIVER COLLEGE PRINCESS STREET CAMPUS	CITY DRAWING NUMBER
		ROLLING GATE/FENCE ELEVATION, SECTION AND DETAILS	SHEET OF
		CONSULTANT DRAWING NO. 031572-02-00	S102