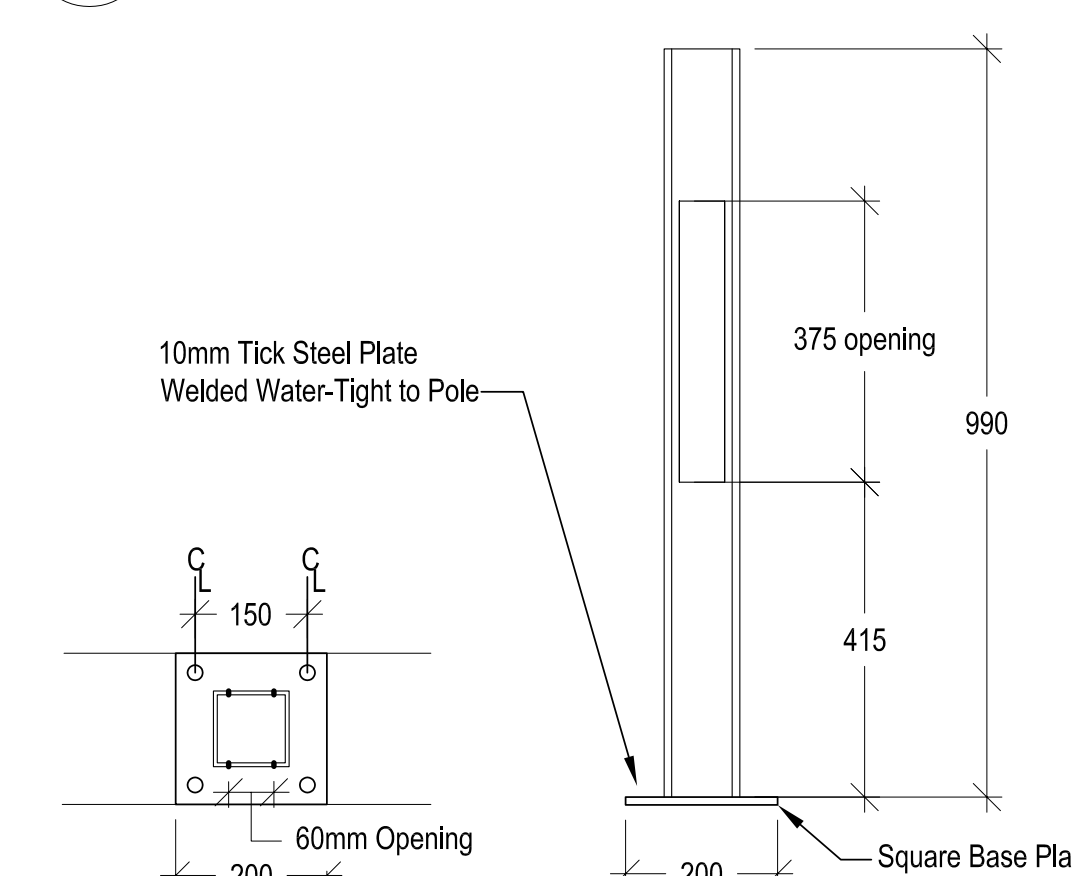
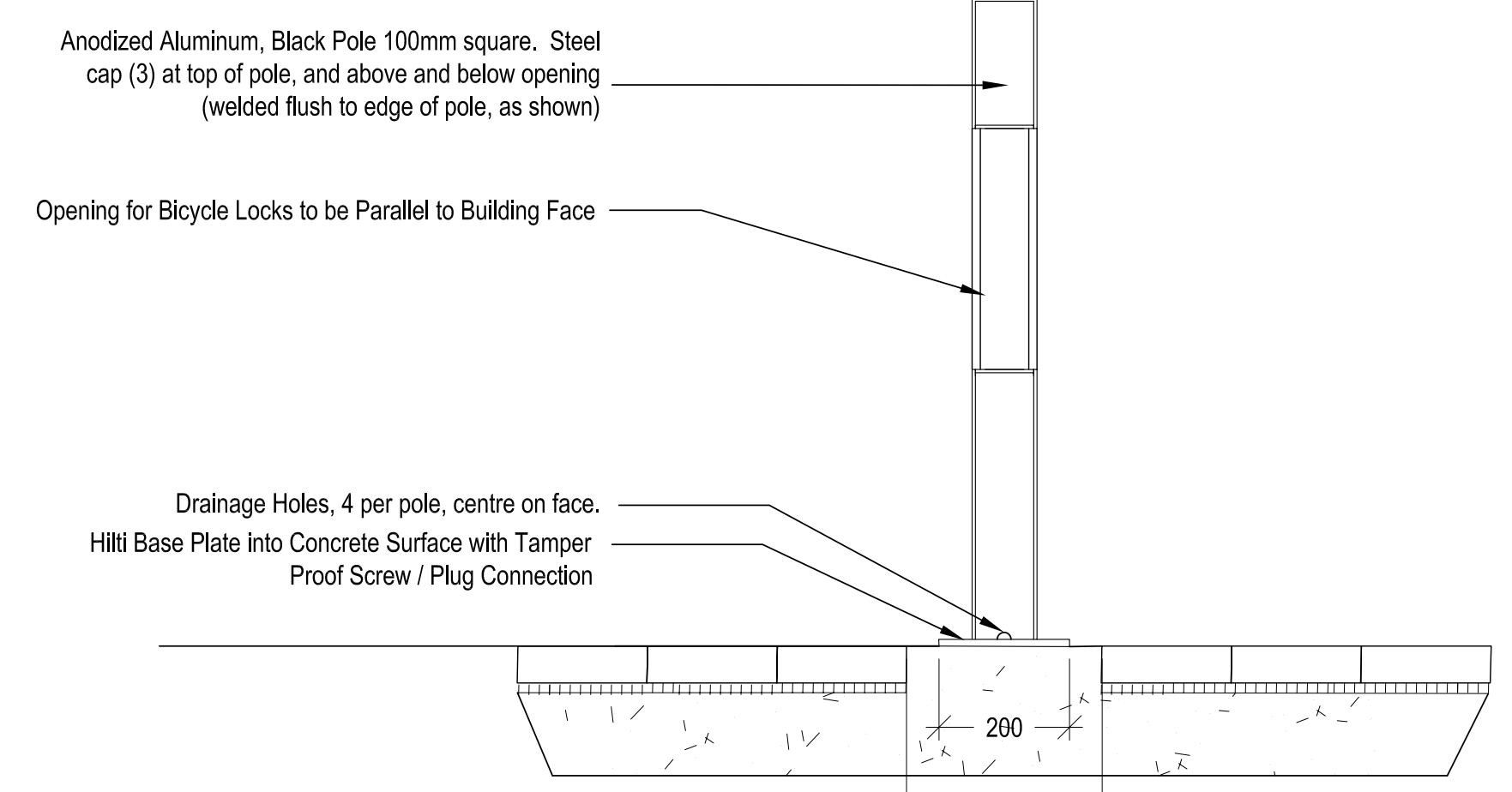


1 PLAZA SEATING WALL - PLAN  
SCALE 1:50



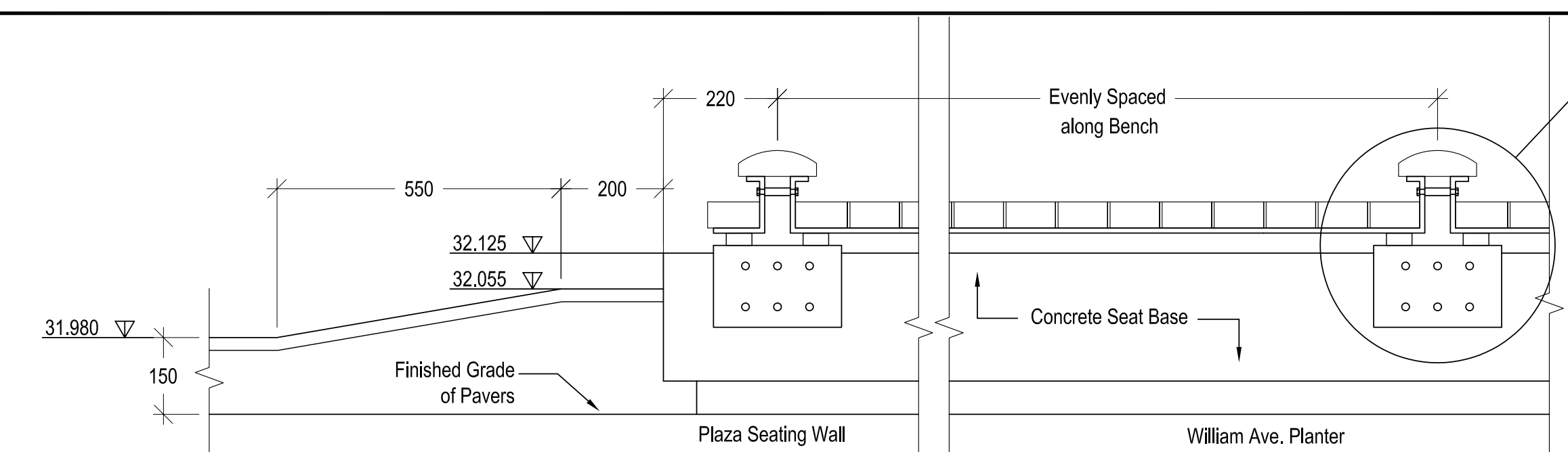
8 BICYCLE RACK - PLAN/ELEVATION  
SCALE 1:10



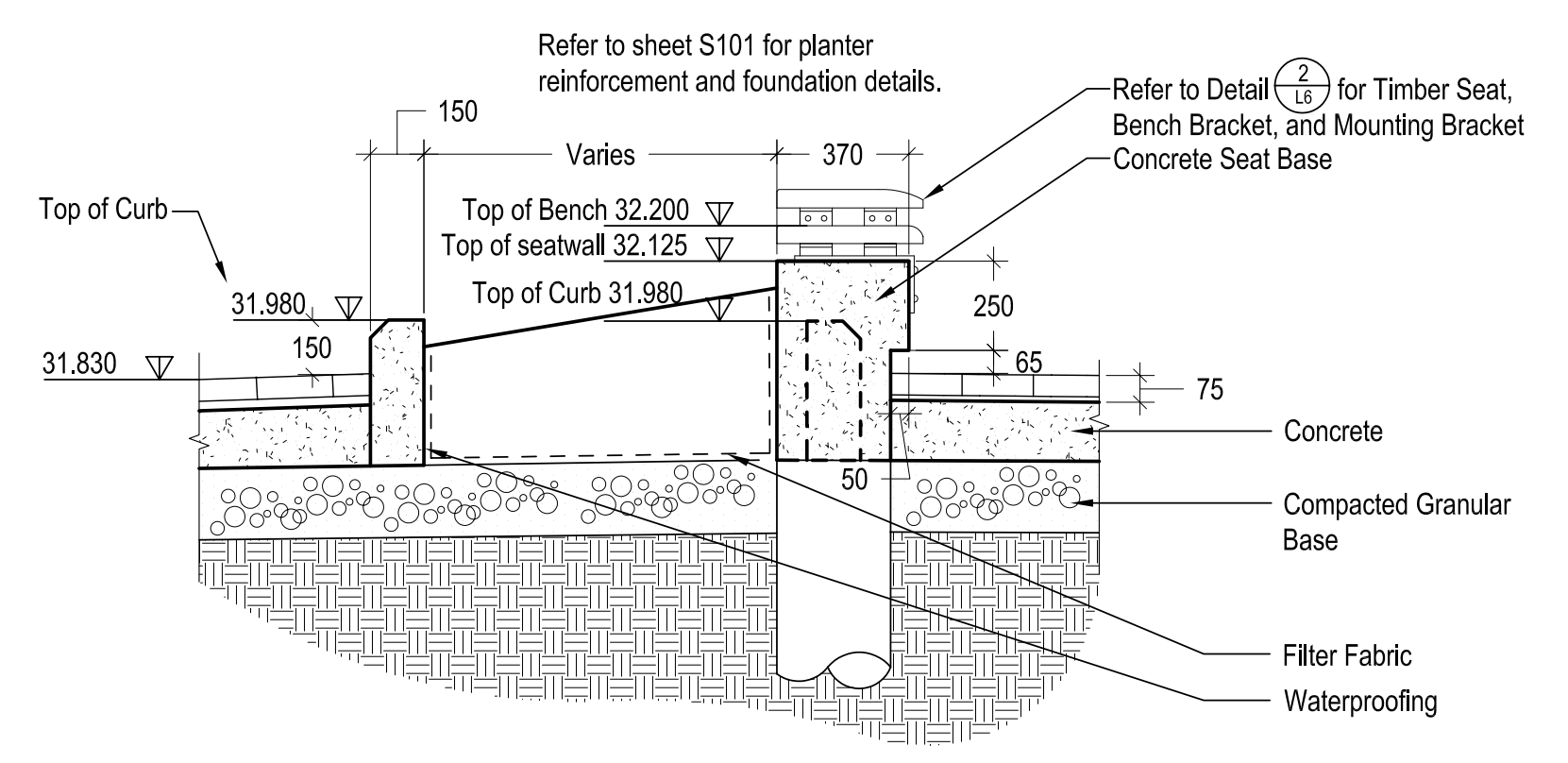
9 BICYCLE RACK - SECTION  
SCALE 1:10

**FOR BIDDING PURPOSES ONLY**

2 PLAZA SEATING WALL / WILLIAM AVE. PLANTER - ELEVATION  
SCALE 1:10

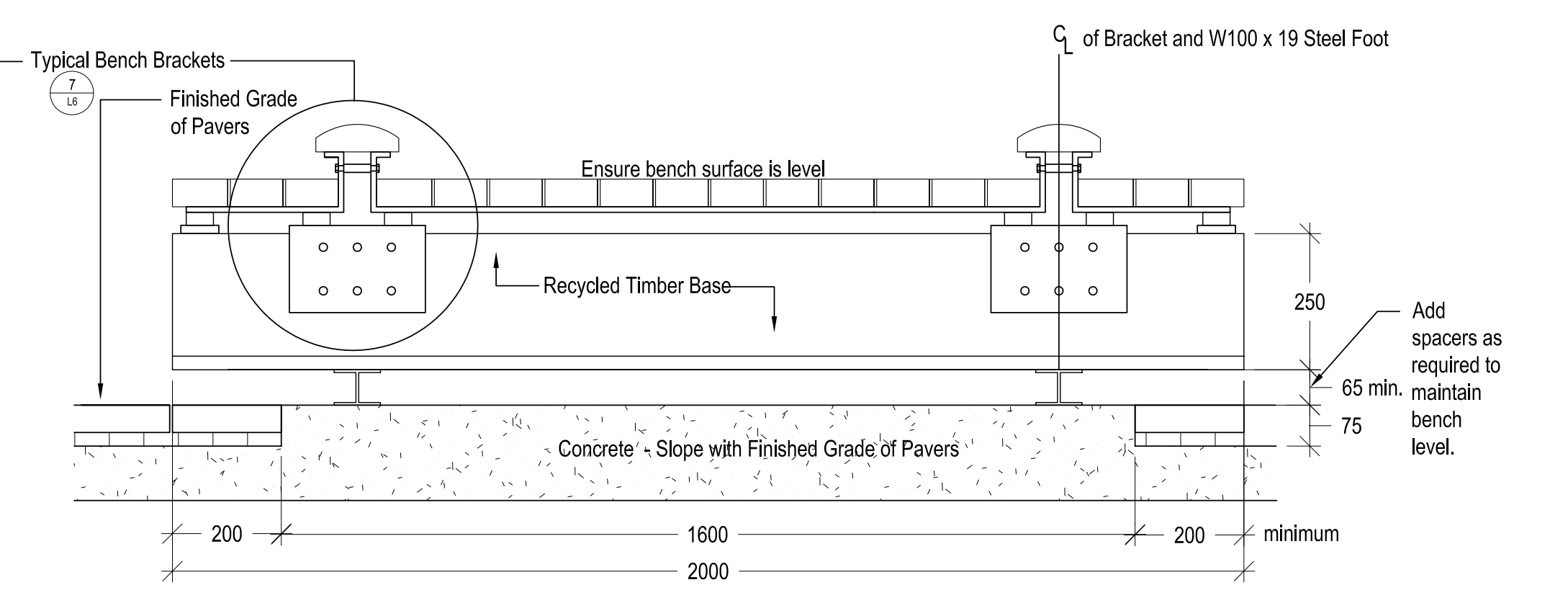


3 PLAZA CURVED PLANTER AND SEATING WALL - SECTION  
SCALE 1:20

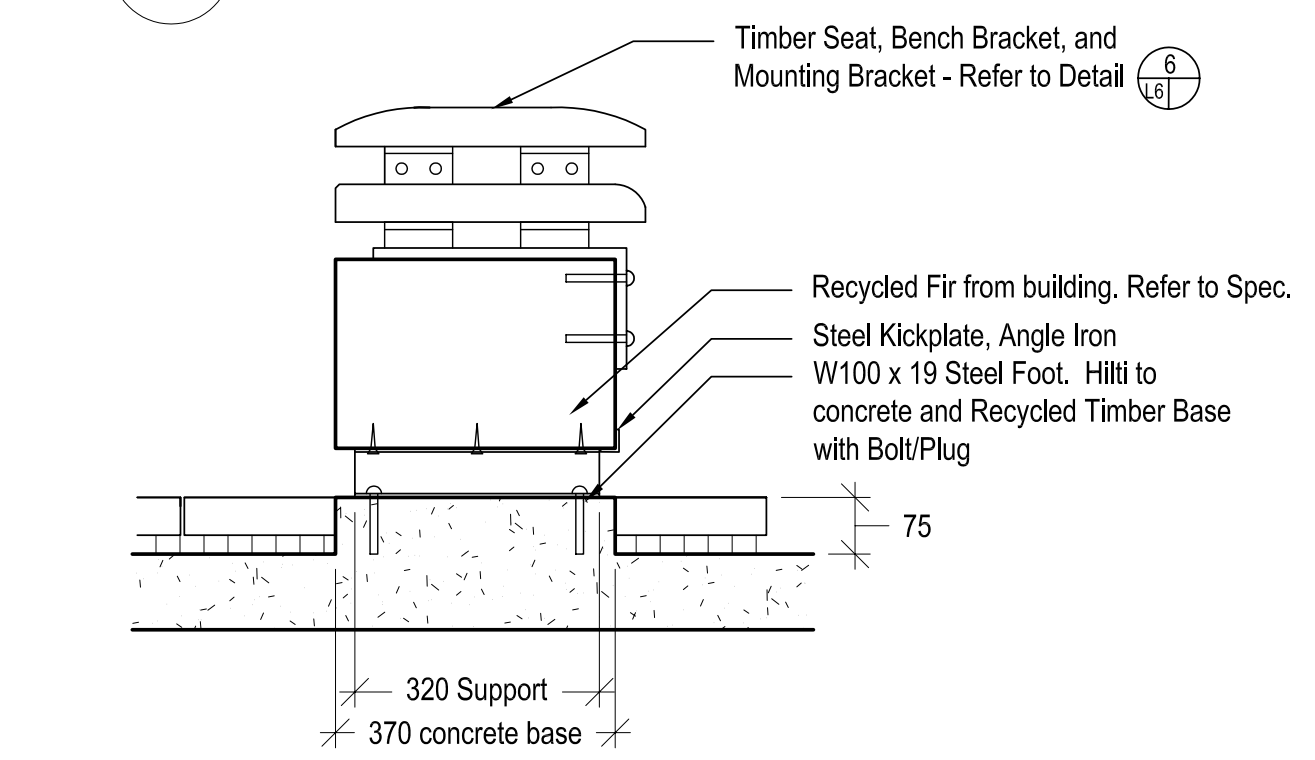


NOTE: Refer to spec for all metal fabrication detail. Shop drawings required for all metal and timber fabrication. All metal colour to be black. Refer to spec for all timber fabrication detail. All fasteners to be Stainless Steel.

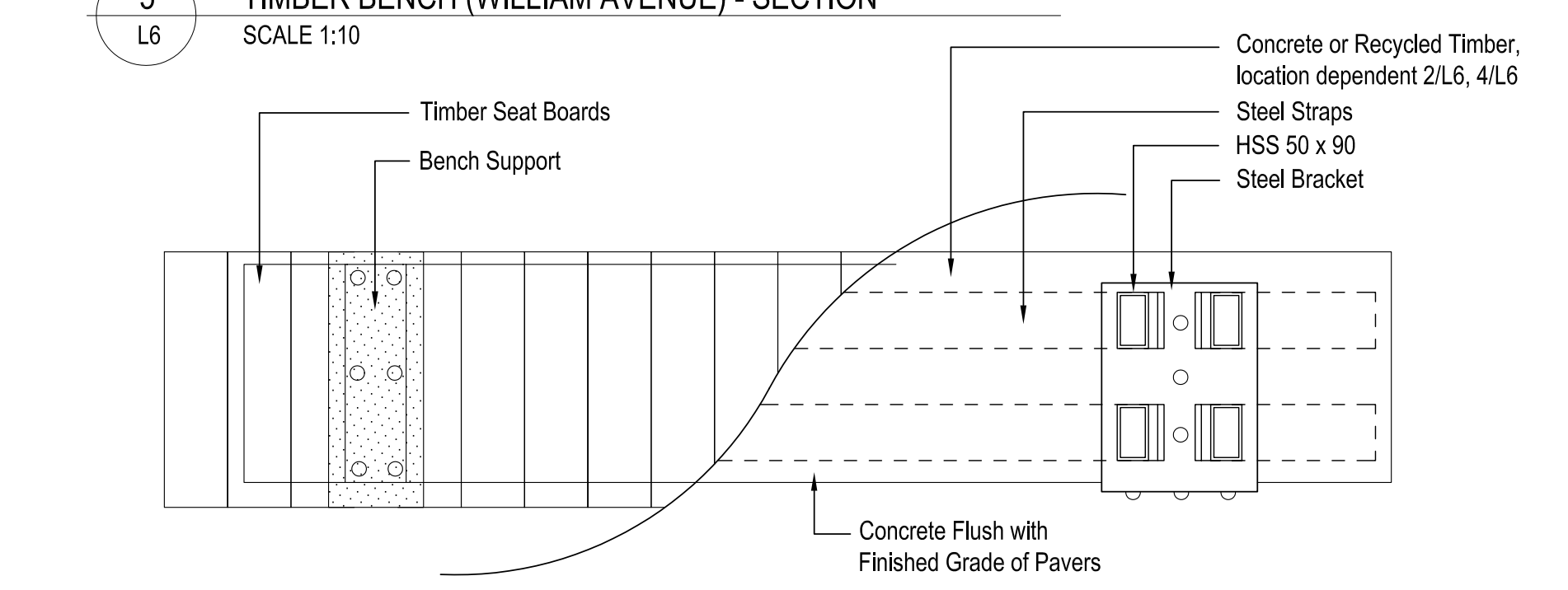
4 TIMBER BENCH (WILLIAM AVENUE) - ELEVATION  
SCALE 1:10



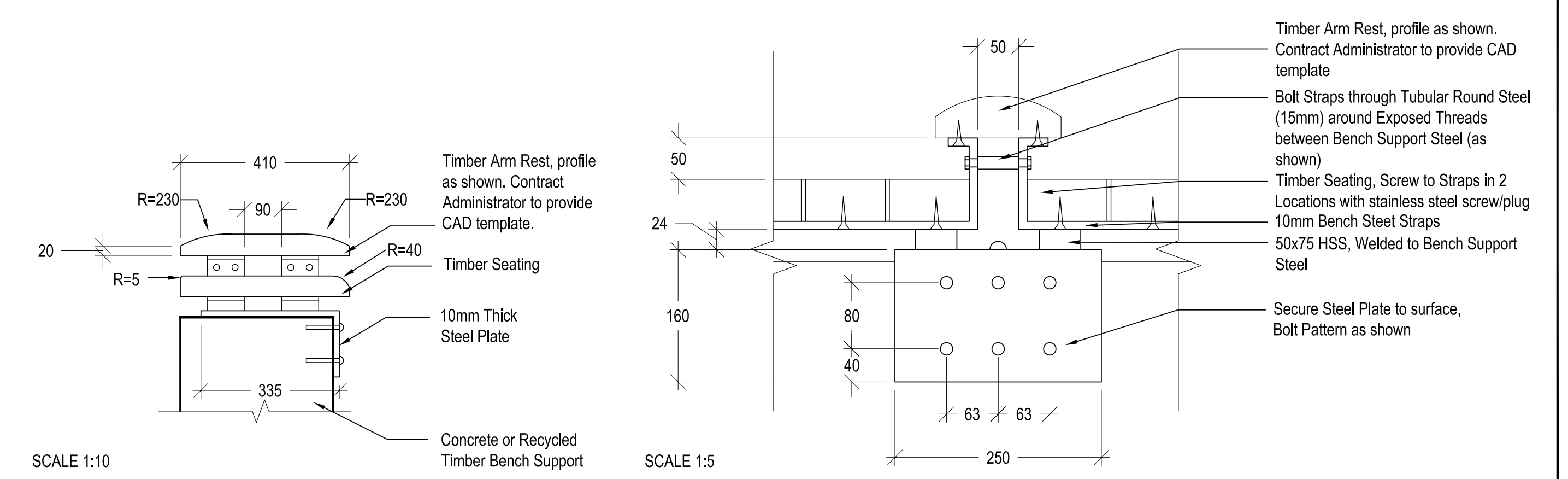
5 TIMBER BENCH (WILLIAM AVENUE) - SECTION  
SCALE 1:10



6 TIMBER BENCH - PLAN VIEW  
SCALE 1:10



7 TYPICAL TIMBER SEAT, BENCH BRACKETS, AND BRACKET - DETAILS  
As Noted



LOCATION APPROVED UNDERGROUND STRUCTURES

Supv. U/G STRUCTURES COMMITTEE DATE

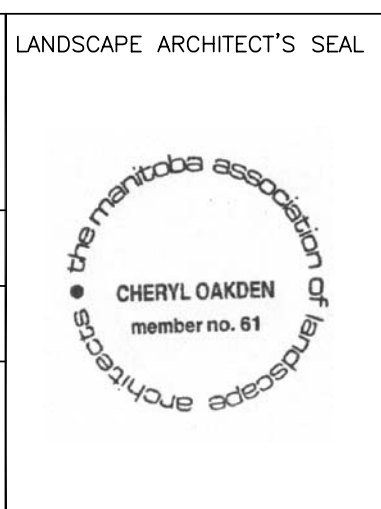
NOTE:  
LOCATION OF UNDERGROUND STRUCTURES AS SHOWN ARE BASED ON THE BEST INFORMATION AVAILABLE BUT NO GUARANTEE IS GIVEN THAT ALL EXISTING UTILITIES ARE SHOWN OR THAT THE GIVEN LOCATIONS ARE EXACT. CONFIRMATION OF EXISTENCE AND EXACT LOCATION OF ALL SERVICES MUST BE OBTAINED FROM THE INDIVIDUAL UTILITIES BEFORE PROCEEDING WITH CONSTRUCTION.

All measurements in millimeters, unless otherwise noted.

B	ISSUED FOR TENDER	15/06/04	CO
A	ISSUED FOR REVIEW		
NO.	REVISIONS	DATE	BY

SCATLIFF + MILLER + MURRAY  
landscape architecture urban design golf course design bridge architecture 3d simulation

DESIGNED BY	CO / RL	CHECKED BY	CO
DRAWN BY	RL/BGS	APPROVED BY	
HOR. SCALE:	AS SHOWN	RELEASED FOR CONSTRUCTION:	
VERTICAL:			
DATE	15/06/2004	DATE	



THE CITY OF WINNIPEG  
DEPARTMENT OF PLANNING,  
PROPERTY AND DEVELOPMENT

Winnipeg

PROJECT TITLE: **RED RIVER COLLEGE PRINCESS STREET CAMPUS STREETSCAPING**

SHEET 06 OF 07

COMPUTER FILE NAME: REDRIVER-PLOT.DWG

CITY DRAWING NUMBER: L6

**SITE FURNISHINGS**