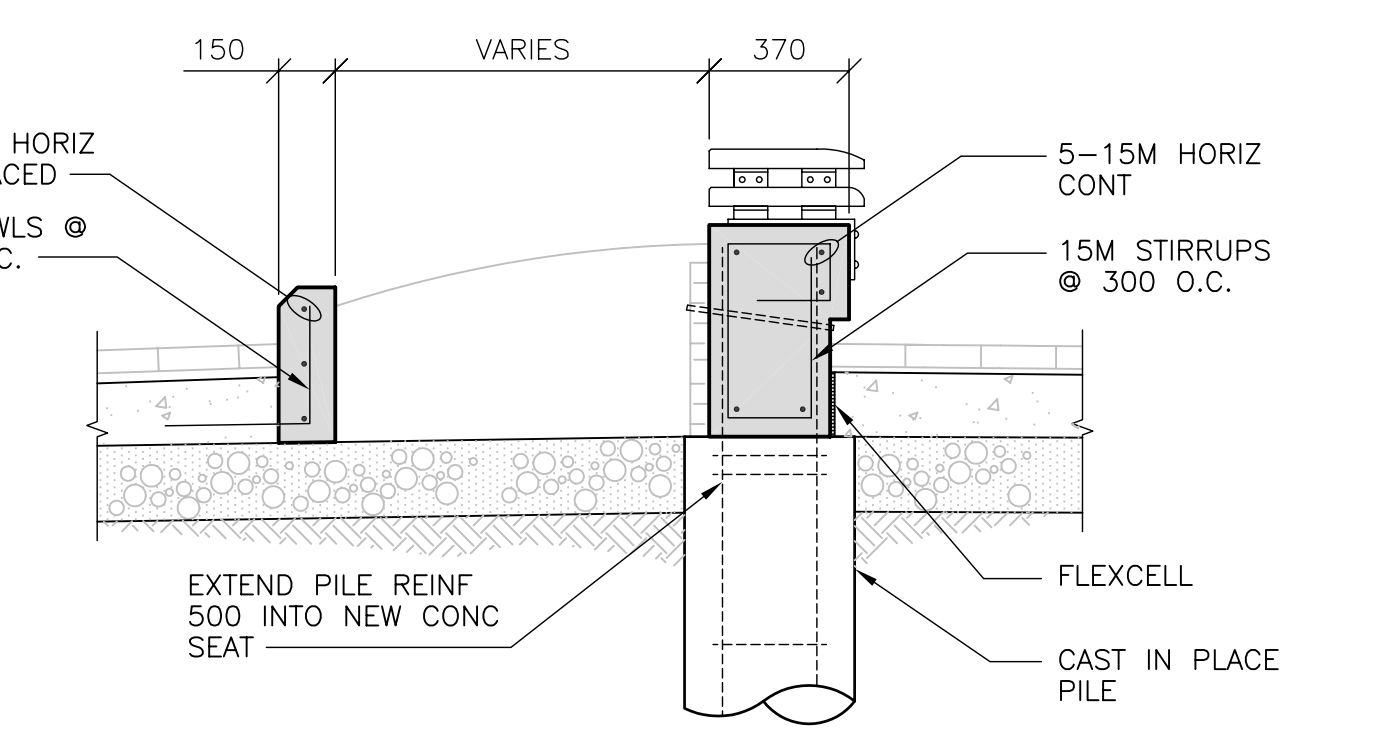
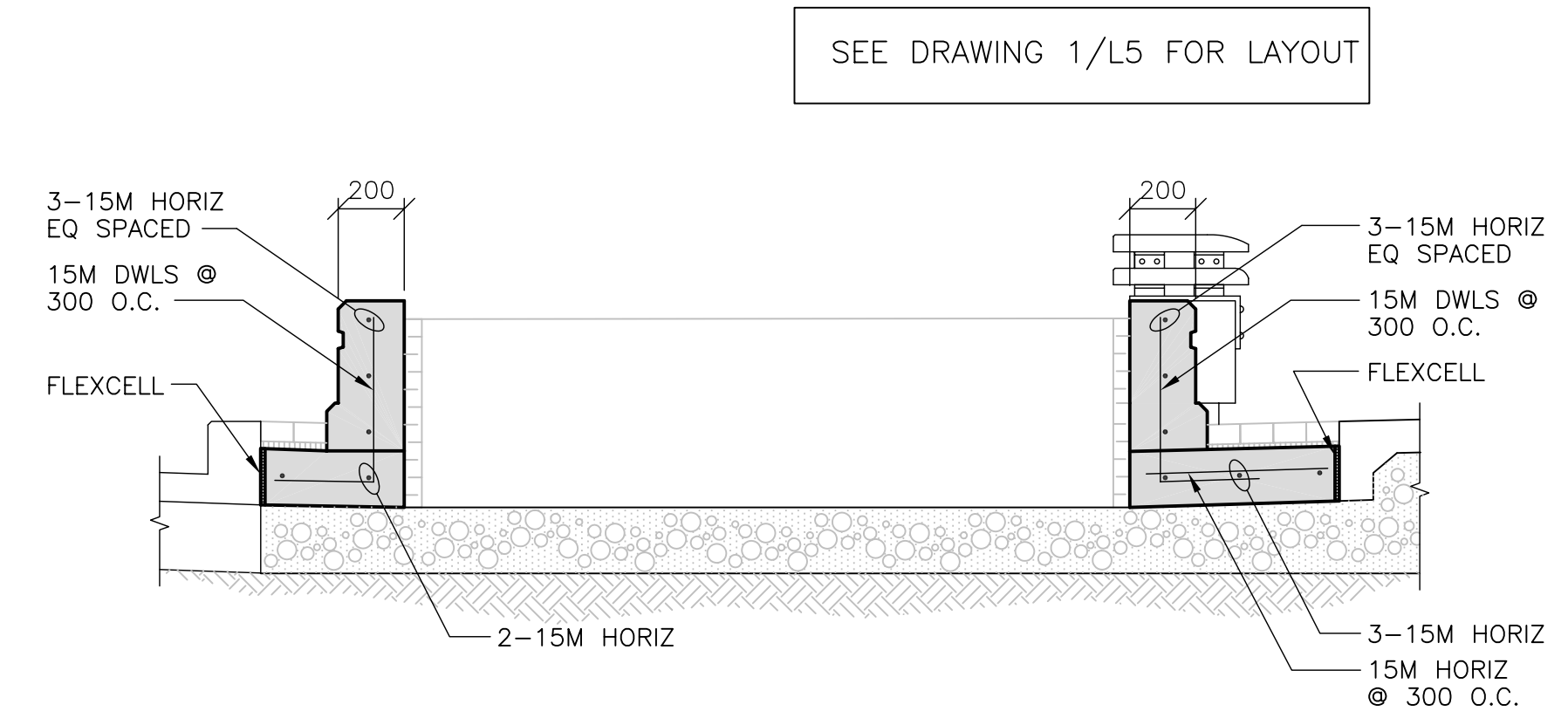


1 SEATING/PLANTER - PARTIAL PLAN
1 : 100



2 PLAZA CURVED PLANTER - SECTION
1 : 20
- SHOWING CONC REINFORCING

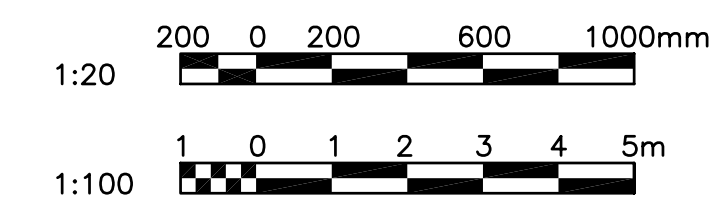


3 WILLIAM AVE PLANTER - SECTION
1 : 20
- SHOWING CONC REINFORCING

- CAST-IN-PLACE CONCRETE:**
- CONCRETE WORK TO BE DONE IN ACCORDANCE WITH THE LATEST EDITION OF CAN3-A23.1 AND A23.2 "CONCRETE MATERIALS AND METHODS OF CONCRETE CONSTRUCTION" INCLUDING COLD WEATHER REQUIREMENTS WHEN THE MEAN TEMPERATURE FALLS BELOW +5 DEGREES CELSIUS.
 - CONCRETE MIXES SHALL BE PROPORTIONED IN ACCORDANCE WITH CAN3-A23.1 (LATEST EDITION), ALTERNATIVE 1 TO GIVE THE FOLLOWING PROPERTIES:
 - 28 DAY STRENGTH..... 30 MPa
 - CEMENT TYPE.....
 - CAST IN PLACE PILES..... TYPE 50
 - OTHER..... TYPE 10
 - MINIMUM CEMENT CONTENT..... 320 kg/m³
 - NOMINAL SIZE AGGREGATE..... 20 mm
 - SLUMP..... 100mm ± 20 mm
 - AIR CONTENT..... 5% TO 8%
 - USE OF CALCIUM CHLORIDE AND FLY ASH IS NOT PERMITTED.
 - WHERE CONSTRUCTION JOINTS ARE REQUIRED PROVIDE ADEQUATE DOWELS AND KEYS TO THE SATISFACTION OF THE CONSULTANT.
 - CHAMFER ALL EXPOSED EDGES 13mm.
 - AIR ENTRAINING ADMIXTURES SHALL CONFORM TO REQUIREMENTS OF CSA A266.4.

- REINFORCING STEEL:**
- ALL REINFORCING STEEL TO BE CSA G30.18-M 400 MPa DEFORMED BARS EXCEPT 10M TIES WHICH MAY BE 300 MPa GRADE STEEL.
 - ALL STEEL TO BE DETAILED IN ACCORDANCE WITH THE MANUAL OF STANDARD PRACTICE BY THE REINFORCING INSTITUTE OF CANADA, CSA A23.1 AND A23.3 LATEST EDITIONS.
 - REINFORCING STEEL COVER TO CONFORM TO LATEST EDITION OF CSA A23.3 AND AS FOLLOWS:
 - CONCRETE CAST AGAINST EARTH..... 75 mm
 - OTHER..... 50 mm
 - ALL REINFORCING TO BE HELD IN PLACE AND TIED WITH PROPER ACCESSORIES, SUCH AS HI-CHAIRS AND SPACERS. SUPPLY AND DETAIL ALL ACCESSORIES. HI-CHAIRS TO HAVE 4 LEGS AND TO BE STAPLED OR NAILED TO THE FORMWORK.
 - REINFORCING STEEL SHALL BE CLEANED OF ALL DIRT, GREASE AND OTHER DELETERIOUS MATERIALS PRIOR TO PLACING.
 - REINFORCING STEEL SHALL NOT BE WELDED OR HEATED WITHOUT PRIOR APPROVAL OF THE CONSULTANT.

**PRELIMINARY
DRAWING ONLY**
NOT TO BE USED FOR CONSTRUCTION
(FOR BIDDING PURPOSES ONLY)



B.M. ELEV.	F.B.	WARDROP Engineering Inc.	
		DESIGNED BY C.R.M.	CHECKED BY
		DRAWN BY G.I.	APPROVED BY
		HOR. SCALE: AS NOTED	RELEASED FOR CONSTRUCTION
		VERTICAL:	
0	ISSUED FOR BIDDING	04.06.15	
NO. REVISIONS	DATE	BY	DATE
			04.06.01

THE CITY OF WINNIPEG PLANNING, PROPERTY AND DEVELOPMENT		CITY DRAWING NUMBER
RED RIVER COLLEGE PRINCESS STREET CAMPUS		SHEET 1 OF 1
PLANTER REINFORCING DETAILS		S101
CONSULTANT DRAWING NO. 031572-02-00-S101		