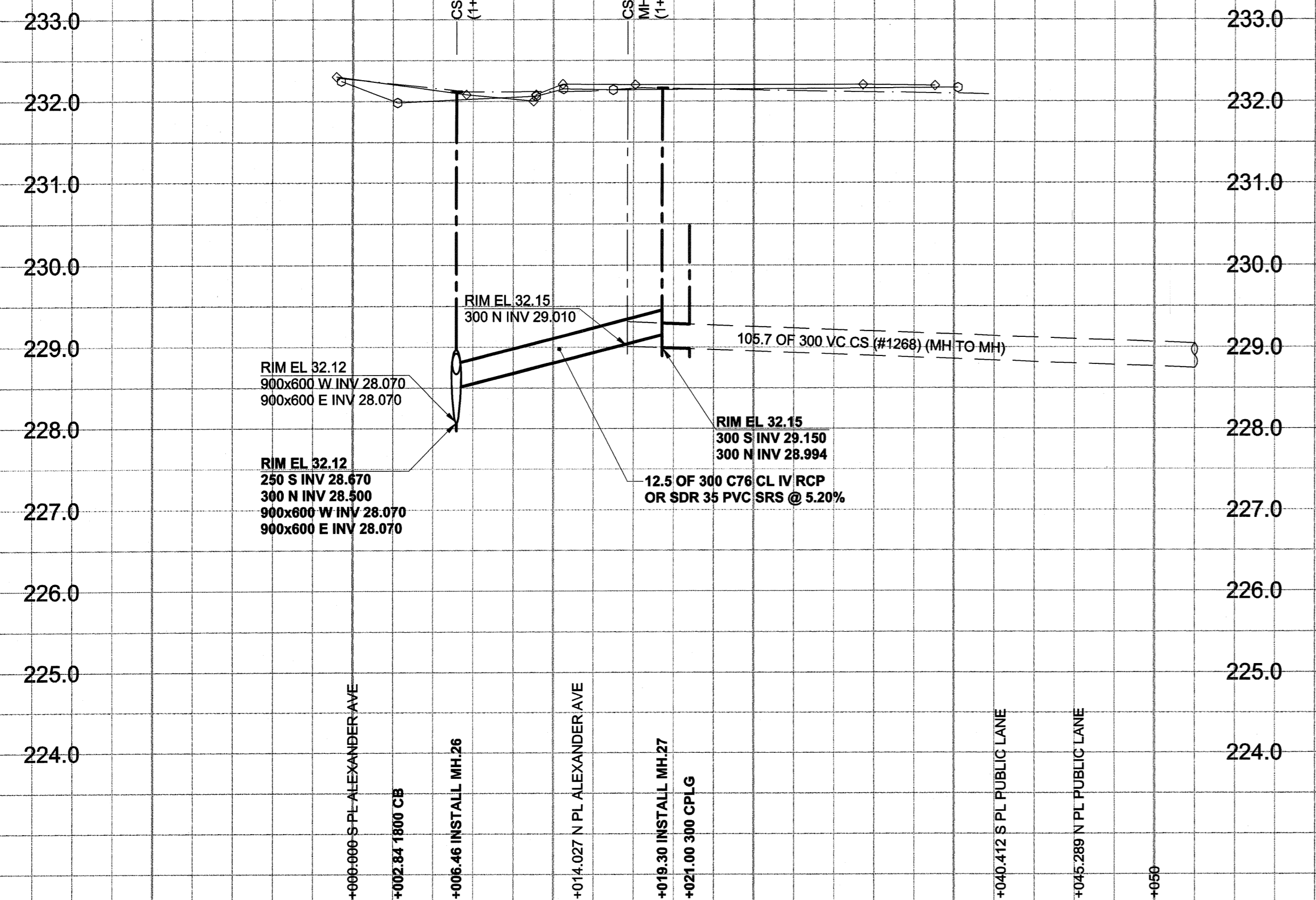


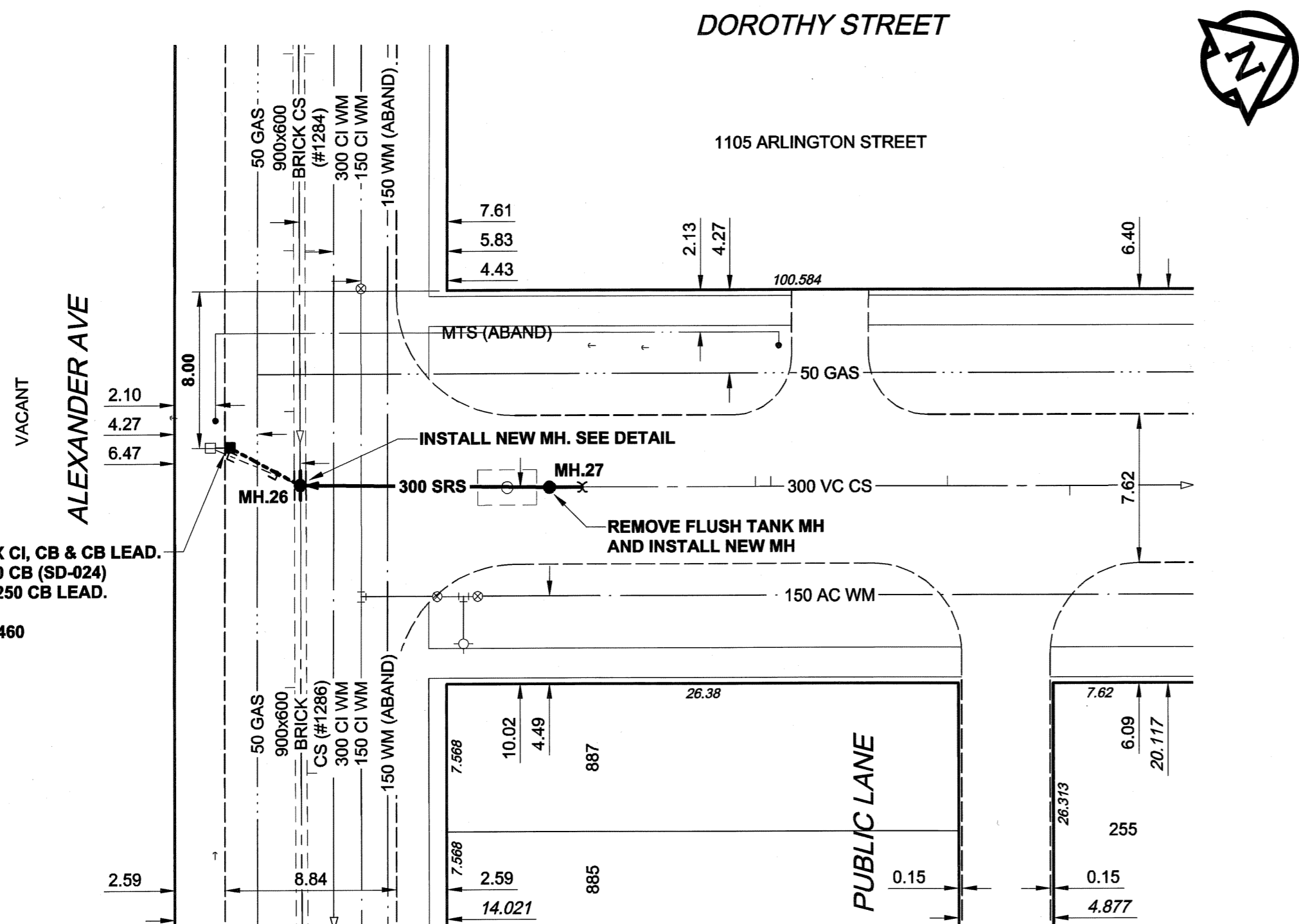
D SIZE 22" x 34" (559mm x 864mm)

PLOT: 05/02/08 4:27:44 PM

UMA FILE NAME: D265-177-01\_01-C-1016\_RX.dwg Saved By: atelppl



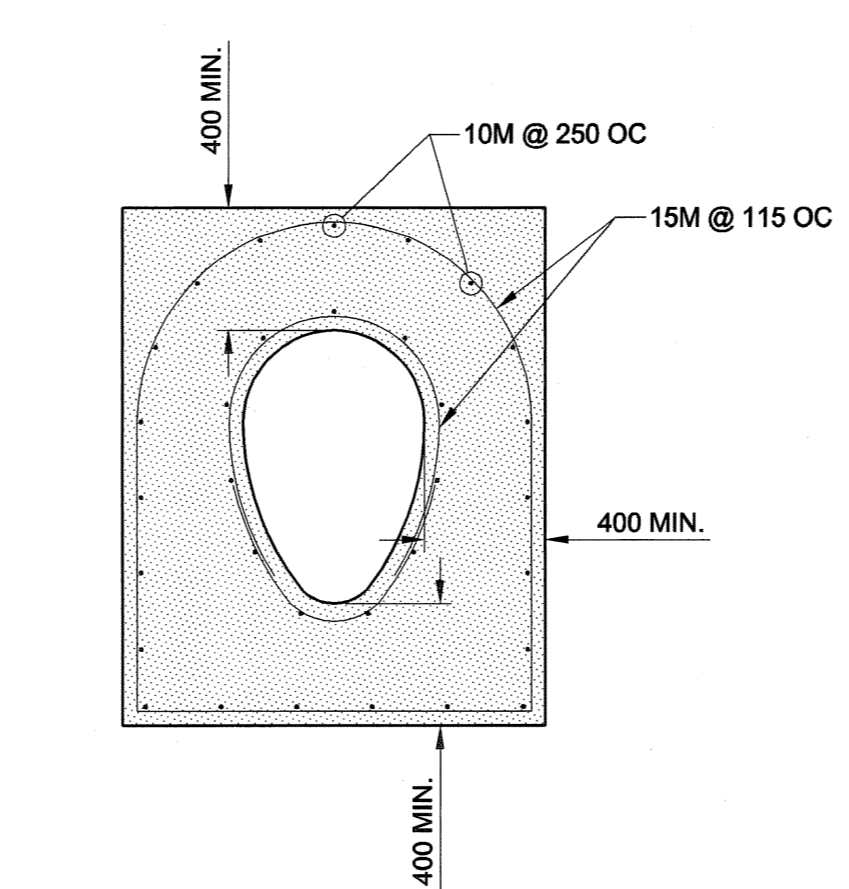
CHAINAGE ALONG E PL



DOROTHY STREET

1105 ARLINGTON STREET

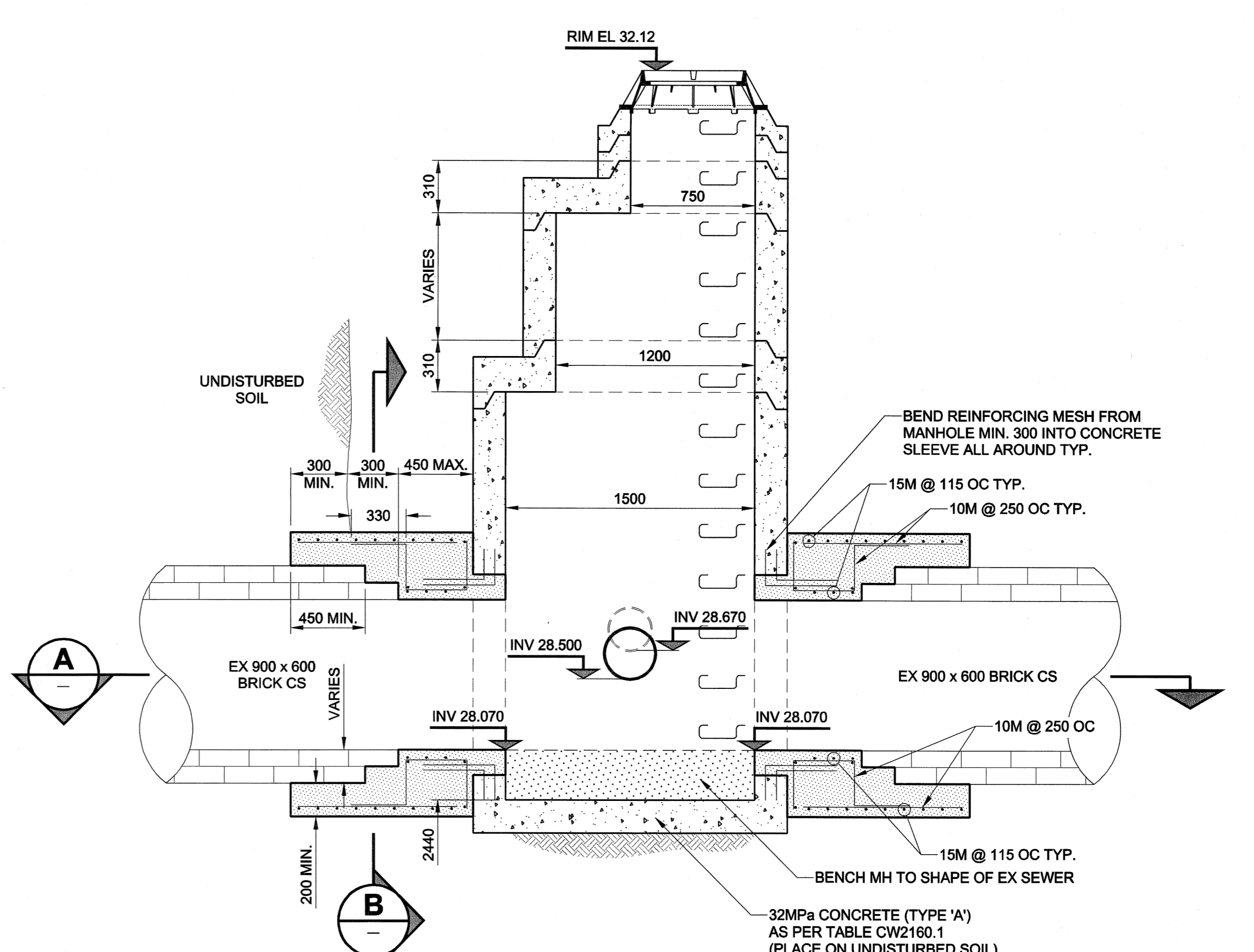
PUBLIC LANE



SECTION B

SCALE 1:25

LAP TABLE	
BAR	LAP
10M	330
15M	550
20M	670



SECTION A

SCALE 1:25

**WARNING**

IF POWER EQUIPMENT OR EXPLOSIVES ARE TO BE USED FOR EXCAVATION ON THIS PROJECT, THE CONTRACTOR MUST:  
 1) NOTIFY THE GAS COMPANY OF THE PROPOSED LOCATION OF EXCAVATION.  
 2) TAKE PRECAUTION TO AVOID DAMAGE TO GAS COMPANY INSTALLATIONS.  
 SEE PROVINCIAL REGULATION 140/92 FOR DETAILS

150 mm WM		300 mm LDS		250 mm WWS		CURB STOP		150 mm WM		300 mm LDS		250 mm WWS	
+	WATERMAIN	+	LAND DRAINAGE SEWER	+	WASTE WATER SEWER	+	REDUCER	+	WATERMAIN	+	LAND DRAINAGE SEWER	+	WASTE WATER SEWER
+	HYDRANT	+	VALVE	+	MANHOLE	+	COUPLING	+	HYDRANT	+	VALVE	+	MANHOLE
+	VALVE	+	MANHOLE	+	CATCH BASIN	+	ANODE	+	VALVE	+	MANHOLE	+	CATCH BASIN
+	LAND DRAINAGE SEWER	+	CATCH BASIN	+	CURB INLET	+	HYDRO	+	LAND DRAINAGE SEWER	+	CATCH BASIN	+	CURB INLET
+	WASTE WATER SEWER	+	CURB INLET	+	CULVERT	+	MTS	+	WASTE WATER SEWER	+	WASTE WATER SEWER	+	PAVEMENT CROWN
+	MANHOLE	+	CULVERT	+	PIPE ABANDONMENTS	+	GAS	+	PAVEMENT CROWN	+	N/W PROPERTY LINE	+	N/W PROPERTY LINE
+	CATCH BASIN	+	PIPE ABANDONMENTS	+	SURVEY BAR	+	TESTHOLE	+	N/W PROPERTY LINE	+	S/E PROPERTY LINE	+	S/E PROPERTY LINE
+	CURB INLET	+	SURVEY BAR	+	EXISTING	+	LAMP STANDARD	+	S/E PROPERTY LINE	+	N/W GUTTER	+	N/W GUTTER
+	CULVERT	+	EXISTING	+	NEW	+	TREE	+	N/W GUTTER	+	S/E GUTTER	+	S/E GUTTER
+	PIPE ABANDONMENTS	+	NEW	+	EXISTING	+	LEGEND - PLAN	+	S/E GUTTER	+	LEGEND - PROFILE	+	LEGEND - PROFILE
+	SURVEY BAR	+	EXISTING	+	NEW	+	LEGEND - PLAN	+	LEGEND - PROFILE	+	NEW	+	NEW
+	LEGEND - PLAN	+	NEW	+	EXISTING	+	LEGEND - PLAN	+	NEW	+	EXISTING	+	LEGEND - PROFILE
+	NEW	+	EXISTING	+	LEGEND - PLAN	+	NEW	+	LEGEND - PROFILE	+	NEW	+	NEW

**LOCATION APPROVED UNDERGROUND STRUCTURES**

SUPR. U/G STRUCTURES COMMITTEE DATE

NOTE: LOCATION OF UNDERGROUND STRUCTURES AS SHOWN ARE BASED ON THE BEST INFORMATION AVAILABLE. BUT NO GUARANTEE IS GIVEN THAT ALL EXISTING UTILITIES ARE SHOWN OR THAT THE GIVEN LOCATIONS ARE EXACT. CONFIRMATION OF EXISTENCE AND EXACT LOCATION OF ALL SERVICES MUST BE OBTAINED FROM THE INDIVIDUAL UTILITIES BEFORE PROCEEDING WITH CONSTRUCTION.

BM 36-020	S. E. Cor. Logan Ave. & Trinity St. Tbl. in N. Conc. foundation of No. 936 Logan Ave., 3m W. & 0.3m below window of N.E. Cor. of Bldg.
ELEV 232.294m	

**MH.26 REPLACEMENT AND CONNECTION DETAIL FOR MH.1285**

SCALE 1:25

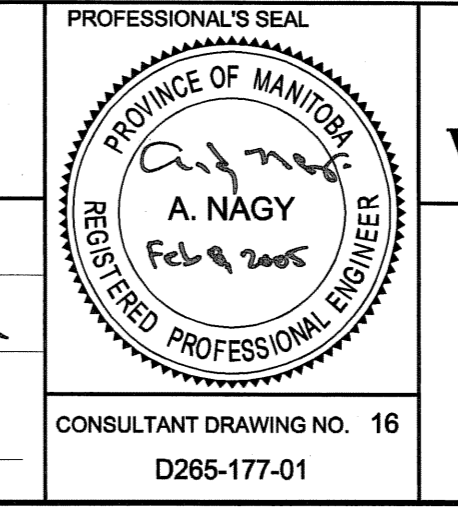
**METRIC**  
 WHOLE NUMBERS INDICATE MILLIMETRES  
 DECIMALIZED NUMBERS INDICATE METRES



2004 UMA ENGINEERING LTD. ALL RIGHTS RESERVED.

DESIGNED BY	FMI/GE	CHECKED BY	[Signature]
DRAWN BY	ADL	APPROVED BY	[Signature]
HOR. SCALE	1:250	RELEASED FOR CONSTRUCTION	[Signature]
VERT. SCALE	1:50	DATE	05/02/09

**APEGM**  
 Certificate of Authorization  
 UMA Engineering Ltd.  
 No. 256 Expiry: April 30, 2005



**THE CITY OF WINNIPEG**  
**WATER AND WASTE DEPARTMENT**

**ALEXANDER/BANNATYNE**  
**COMBINED SEWER RELIEF**  
**CONTRACT 1A**  
**DOROTHY STREET**  
 ALEXANDER AVENUE  
 TO 62m S OF LOGAN AVENUE

BID OPPORTUNITY NO. 12-2005

SHEET	16	OF	18
CITY DRAWING NUMBER	LD-3101		
REV	0		