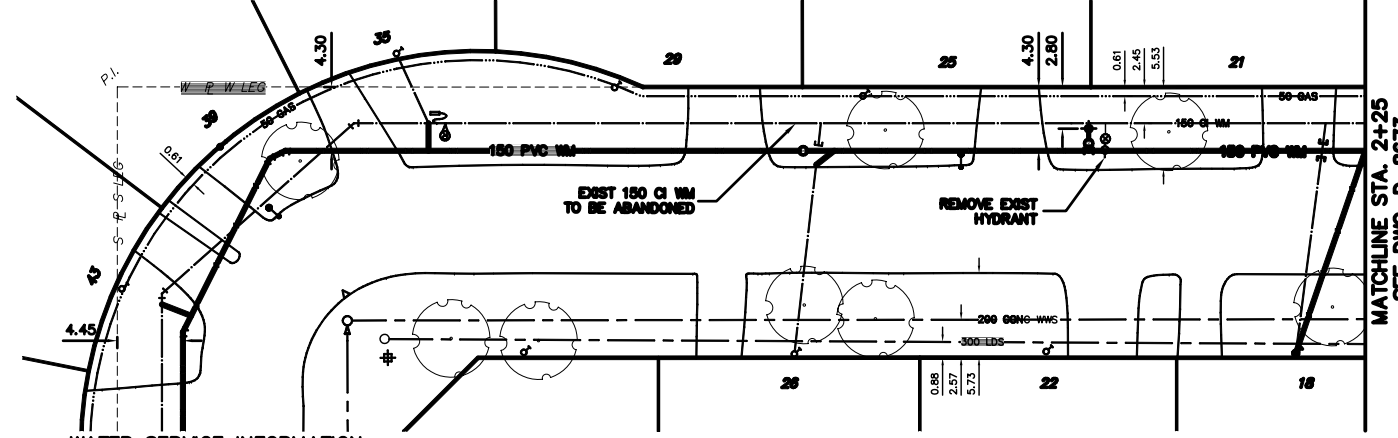
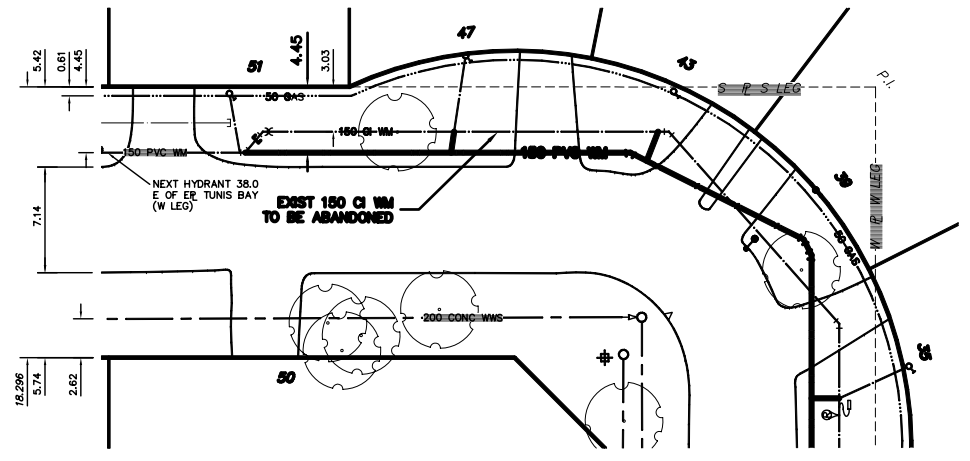


NOTE: CHAINAGES SHOWN ARE ALONG S. R. OF TUNIS BAY (S LEG)

NOTE: CHAINAGES SHOWN ARE ALONG W. R. OF TUNIS BAY (W LEG)

TUNIS BAY (W LEG)

TUNIS BAY (S LEG)



MATCHLINE STA. 2+25 SEE DWG. D-8673

**WATER SERVICE INFORMATION**

ADDRESS	SIZE(mm) & TYPE (STREET)	SIZE(mm) & TYPE (PROP)	SHORT & LONG MEASUREMENT	CORP. LOCATION	REMARKS
18 TUNIS BAY RESIDENTIAL	19	18.19 W HYD	5.49 EWL HSE	1.05 W OF S/C	RECONN. TO NEW MAIN
21 TUNIS BAY RESIDENTIAL	-	-	5.49 OUT FROM HSE	14.94 N HYD	-
22 TUNIS BAY RESIDENTIAL	-	-	7.01 SNL HSE	-	ABAND. SERV. 1.83 S OF HL
25 TUNIS BAY RESIDENTIAL	-	-	6.71 SNL HSE	-	-
26 TUNIS BAY RESIDENTIAL	-	-	11.89 OUT FROM HSE	-	-
29 TUNIS BAY RESIDENTIAL	-	-	18.3 NSL HSE	-	-
35 CORNELL DR RESIDENTIAL	-	-	16.15 OUT FROM HOUSE	-	-
39 TUNIS BAY RESIDENTIAL	-	-	6.10 SNL HSE	19.20 S HYD	-
43 TUNIS BAY RESIDENTIAL	-	-	5.18 OUT FROM HSE	-	-
47 TUNIS BAY RESIDENTIAL	-	-	6.10 NSL HSE	-	-
50 TUNIS BAY RESIDENTIAL	-	-	5.49 OUT FROM HSE	-	-
51 TUNIS BAY RESIDENTIAL	-	-	4.72 SNL HSE	45.72 S HYD	-
	-	-	7.01 OUT FROM HSE	-	-
	-	-	3.05 NSL HSE	-	-
	-	-	9.45 OUT FROM HSE	-	-
	-	-	3.36 WEL HSE	-	-
	-	-	8.53 OUT FROM HSE	-	-
	-	-	5.18 WEL HSE	24.08 W VALVE	-
	-	-	7.47 OUT FROM HSE	-	-
	-	-	9.45 FROM S L/L	-	-

\*SERVICES TO BE RENEWED TO R. ALL OTHERS TO BE RECONNECTED

**CONSTRUCTION NOTES**

1. EXPOSE EXISTING WATERMAIN & CONFIRM INVERTS PRIOR TO CONSTRUCTION.
2. LOCATION OF ALL SERVICES TO BE CONFIRMED IN THE FIELD.
3. INSTALL WATERMAIN BY TRENCHLESS METHODS.
4. TRENCHES AND EXCAVATIONS WITHIN 1 METRE OF A PAVED AREA INCLUDING SIDEWALKS SHALL BE CLASS 3 BACKFILL.
5. ALL MATERIALS SHALL CONFORM TO THE CITY OF WINNIPEG STANDARD CONSTRUCTION SPECIFICATIONS.
6. MINIMUM COVER TO TOP OF WATERMAIN SHALL BE 2.4 m.
7. REPLACE ALL EXISTING LEAD SERVICES FROM PROPOSED WATERMAIN TO R.
8. NOTIFY ALL AFFECTED RESIDENTS AND BUSINESSES 24 HOURS IN ADVANCE OF ANY WATER SHUTDOWNS OR DISRUPTION OF SERVICE.

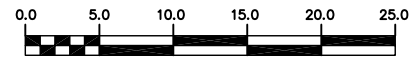
**METRIC**

WHOLE NUMBERS INDICATE MILLIMETRES  
DECIMALIZED NUMBERS INDICATE METRES

NOTE: ALL VALVES TO BE INSTALLED COUNTERCLOCKWISE TO CLOSE

**WARNING**

IF POWER EQUIPMENT OR EXPLOSIVES ARE TO BE USED FOR EXCAVATION ON THIS PROJECT THE CONTRACTOR MUST:  
1) NOTIFY THE GAS COMPANY OF THE PROPOSED LOCATION OF EXCAVATION.  
2) TAKE PRECAUTION TO AVOID DAMAGE TO GAS COMPANY INSTALLATIONS.  
SEE PROVINCIAL REGULATION 210/72 FOR DETAILS



200 WM	WATERMAIN	200 WM	SL, HYDRO	150 WM	WATERMAIN	150 WM
⊕	HYDRANT	⊕	MTS	⊕	HYDRANT	⊕
⊙	VALVE	⊙	TRAFFIC SIGNALS	⊙	VALVE	⊙
525 LDS	LAND DRAINAGE SEWER	525 LDS	GAS	50 GAS	300 LDS	LAND DRAINAGE SEWER
375 WWS	WASTEWATER SEWER	375 WWS	SURVEY BAR	250 WWS	250 WWS	WASTEWATER SEWER
○	MANHOLE	○	FENCE	⊕	⊕	PROFILE
□	CATCH BASIN	□	POLE - HYDRO, MTS	⊕	⊕	GROUND ABOVE PIPE
▽	CURB INLET	▽	CURB STOP	⊕	⊕	
∇	REDUCER	∇	GUY ANCHOR	⊕	⊕	
X	COUPLING	X	LIGHT STANDARD	⊕	⊕	
⊕	ANODE	⊕	TREE	⊕	⊕	
EXISTING	LEGEND-PLAN	PROPOSED	EXISTING	LEGEND-PLAN	PROPOSED	EXISTING
				LEGEND-PROFILE	PROPOSED	

LOCATION APPROVED UNDERGROUND STRUCTURES

SUPV. U/G STRUCTURES COMMITTEE DATE

NOTE: LOCATION OF UNDERGROUND STRUCTURES AS SHOWN ARE BASED ON THE BEST INFORMATION AVAILABLE BUT NO GUARANTEE IS GIVEN THAT ALL EXISTING UTILITIES ARE SHOWN OR THAT THE GIVEN LOCATIONS ARE EXACT. CONFIRMATION OF EXISTENCE AND EXACT LOCATION OF ALL SERVICES MUST BE OBTAINED FROM THE INDIVIDUAL UTILITIES BEFORE PROCEEDING WITH CONSTRUCTION.

NO.	REVISIONS	DATE	BY

**CITY OF WINNIPEG WATER AND WASTE ENGINEERING DIVISION**

DESIGNED BY SC CHECKED BY KZ

DRAWN BY CJH APPROVED BY KZ

HOR. SCALE 1:250 VERTICAL 1:50

NO. REVISIONS DATE BY

DATE 2005 03 18

ENGINEER'S SEAL

ORIGINAL SIGNED BY K.R. ZUREK 05/03/18

BID OPPORTUNITY: 135-2005  
FILENAME: D-8672-D-8673.dwg  
PLOT DATE: 2005 03 18

**THE CITY OF WINNIPEG WATER AND WASTE DEPARTMENT**

2005 WATERMAIN RENEWALS

**TUNIS BAY (W LEG)**  
175 S OF SP SILVERSTONE AVENUE TO 75 S OF SP SILVERSTONE AVENUE

SHEET 11 OF 18  
CITY DRAWING NUMBER D-8672