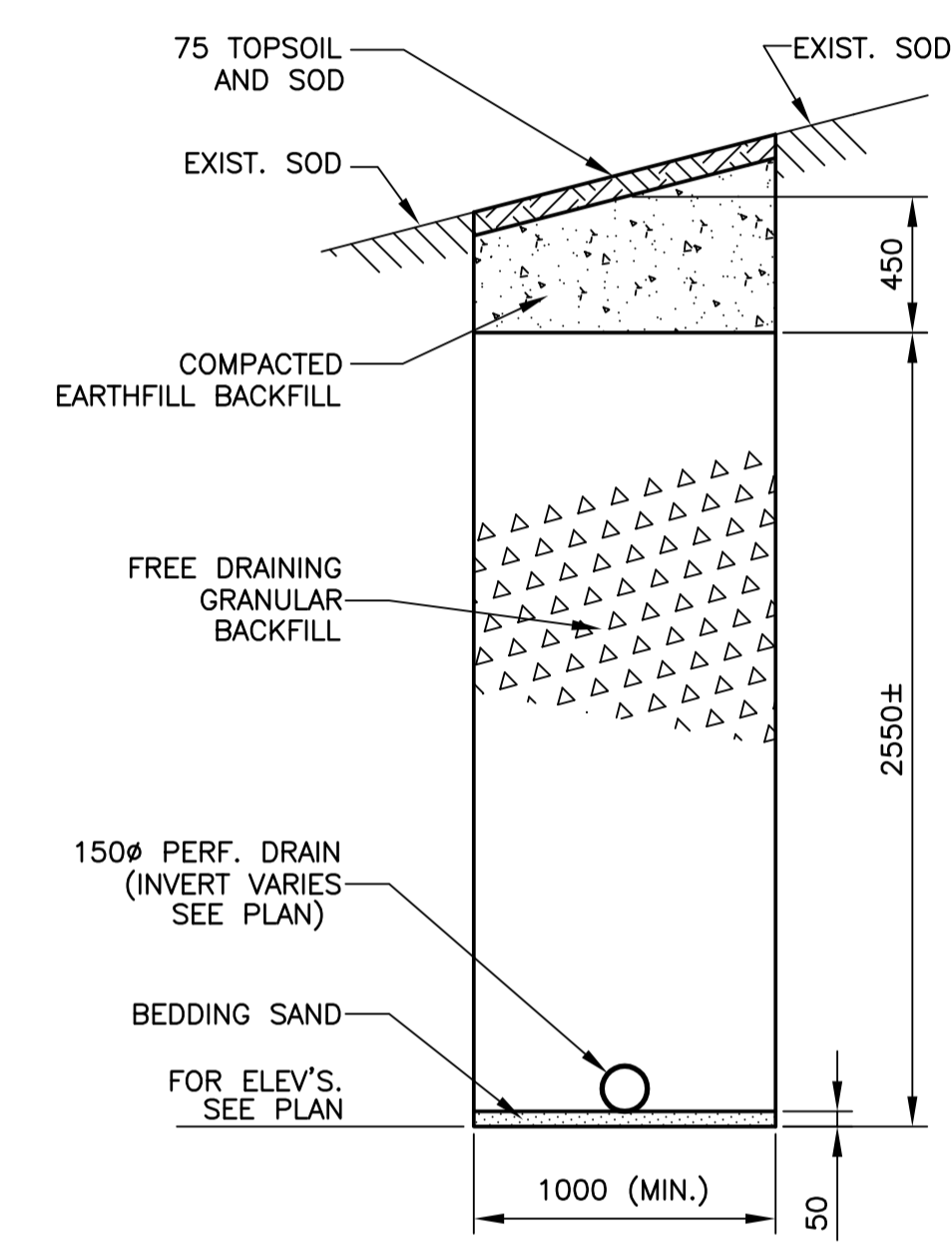
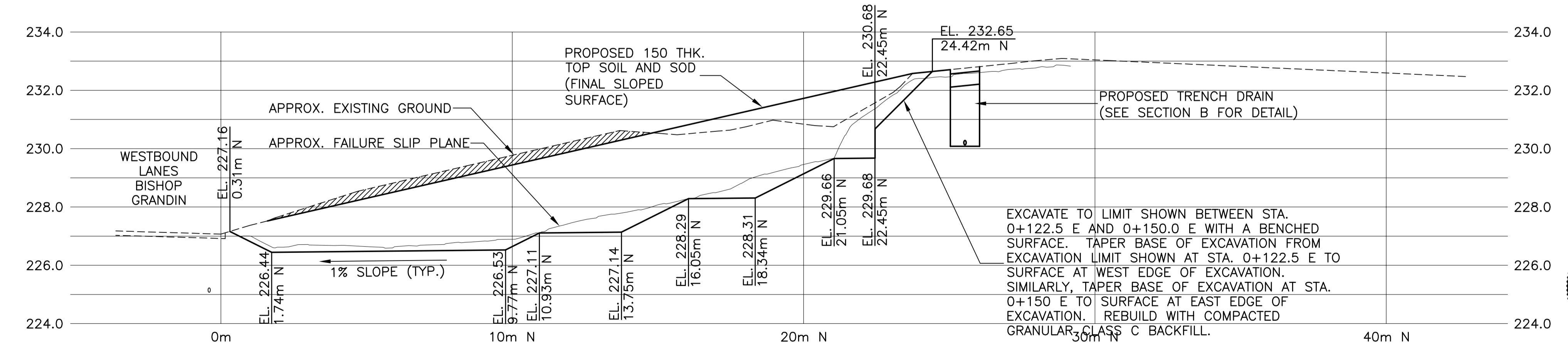


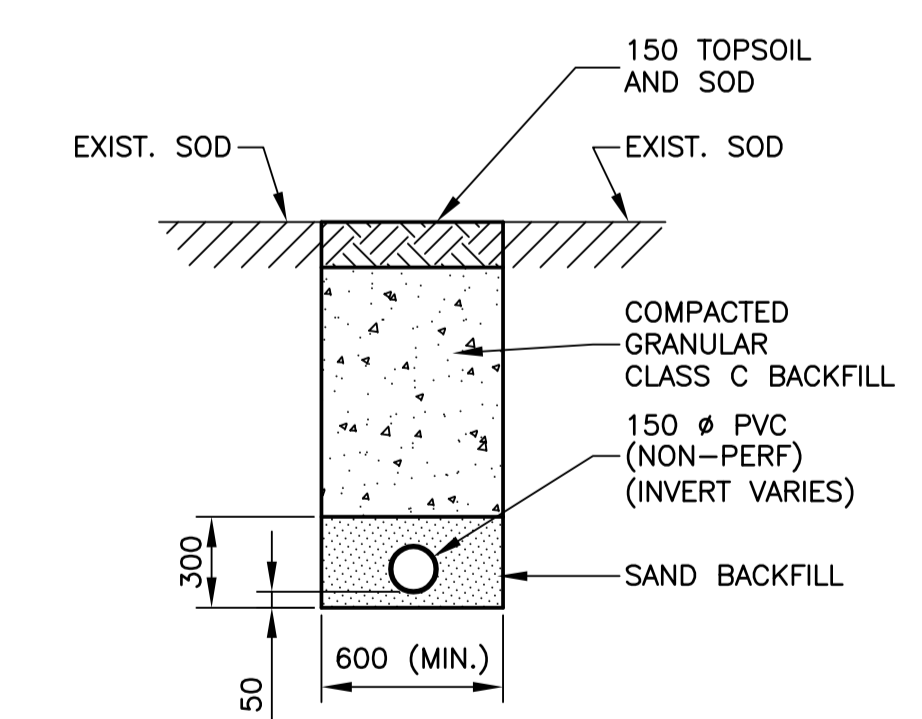
LOCATION PLAN



SECTION B  
1: 25



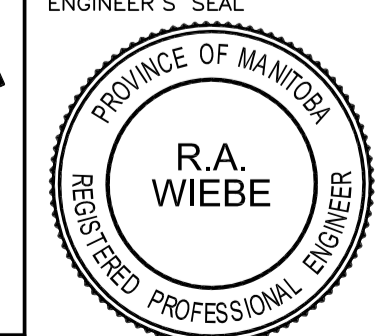
SECTION AT  
STA. 0+137.8 E  
1: 100



SECTION C  
1: 25

PROPOSED TRENCH  
AS SHOWN

BENCH MARK  
84R629 - C.N.R. LETELLIER SUBD. &  
CHANCELLOR DR. TBLT. ON TOP OF 0.05m DIA. x  
2.4m IRON PIPE, ON S.L. OF CHANCELLOR DR. &  
22.5m W. OF C.L. OF RAILWAY TRACK ON C.N.R.  
LETELLIER SUBD., OR 45m W. OF W.L. C.N.R.  
LETELLIER SUBD. & ON S.L. OF CHANCELLOR DR.



**THE CITY OF WINNIPEG**  
PUBLIC WORKS DEPARTMENT

**2005 BRIDGE MAINTENANCE**  
ROUTE 165 UNDERPASS UNDER  
CNR LETELLIER SUBDIVISION-N.W. QUADRANT  
SLOPE FAILURE REPAIR

CITY DRAWING NUMBER  
**U230-05-01**  
SHEET 1 OF 2

CONSULTANT PROJECT NO.  
**05-4421-1001**

PLAN, SECTIONS AND DETAILS

B.M. ELEV.	76-047 232.905m	DESIGNED BY:	A.D.G./R.A.W.
		DRAWN BY:	A.J.P./S.K.B.
		CHECKED BY:	R.A.W.
		APPROVED BY:	
		SCALE:	HORZ. AS SHOWN VERT.
		DATE:	08/31/05
		AUTHORIZED BY:	
		CITY BRIDGE ENGINEER	
NO.	REVISIONS	DATE	BY
2	ISSUED FOR CITY TENDER	08/31/05	R.A.W.
1	ISSUED FOR CITY REVIEW	05/06/05	R.A.W.

**APEGM**  
Certificate of Authorization  
Dillon Consulting Limited  
No. 1789 Expiry: April 30, 2006

**WARNING**  
CONTRACTOR TO OBTAIN  
UTILITY CLEARANCES PRIOR  
TO COMMENCING EXCAVATION.

UNDERGROUND INFORMATION SHOWN ON THIS  
DRAWING IS BASED ON INFORMATION RECEIVED FROM  
THE CITY OF WINNIPEG UNDERGROUND STRUCTURES  
AND MAY NOT BE ENTIRELY ACCURATE OR COMPLETE.

**METRIC**  
WHOLE NUMBERS INDICATE MILLIMETRES  
DECIMAL NUMBERS INDICATE METRES