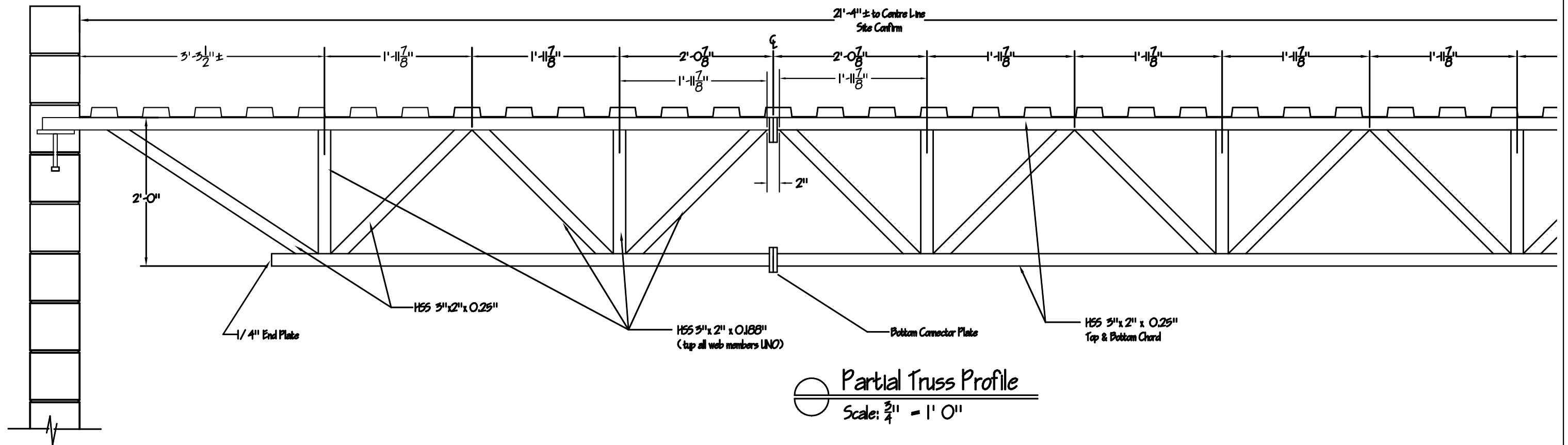


Truss Profile
Scale: $\frac{3}{8}" = 1' 0"$

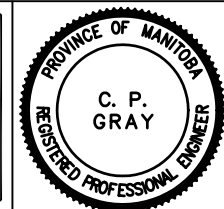


Partial Truss Profile
Scale: $\frac{3}{4}" = 1' 0"$

S-2

Gymnasium Roof Strengthening
Notre Dame Recreational Centre
271 De La Cathedrale Ave.
Winnipeg, MB

APECN
Certificate of Authorization
GC Engineering Ltd.
No. 3208 Expiry: April 30, 2005



GC Engineering Ltd.
675 Elm Street
Winnipeg MB R3M 3N8
Ph 793-3948 Fax 487-4616
email calgray@mts.net