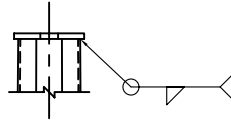


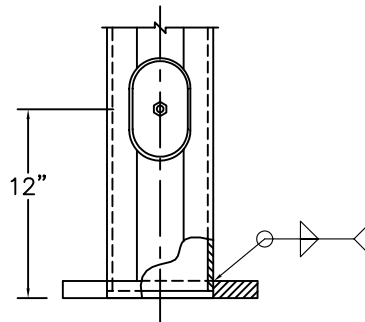
FINIAL DETAIL



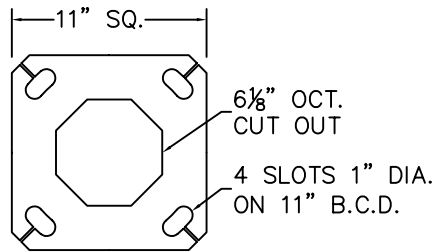
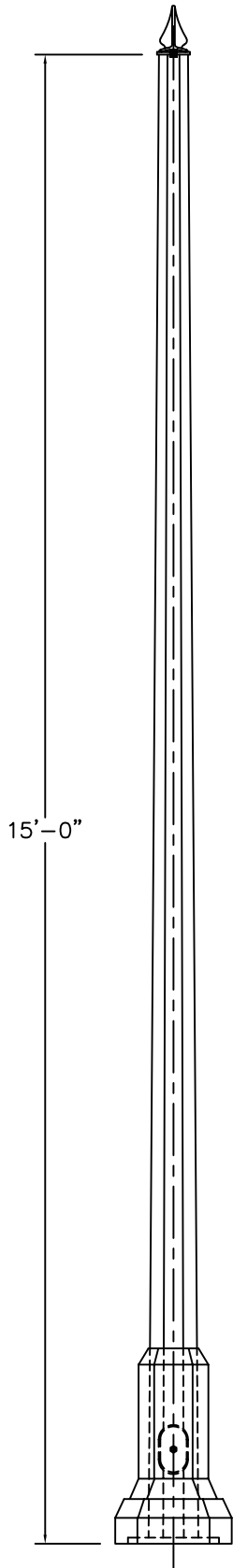
TENON PLATE DETAIL





POLE TOP DETAIL



BASE JOINT DETAIL



BASE DETAIL

20					DAVID WAGNER	VALOUR ROAD
No. REQ'D.	W.O. No.	FILE No.	DATE	P.O. No.	CUSTOMER	LOCATION
					 <small>1450 Saskatchewan Avenue Winnipeg, Manitoba, Canada R2E 0L3 Ph: (204) 987-3110 • Fx: (204) 775-9066 www.martec-mfg.mb.ca</small>	
REV.No.	CHANGE		BY	APP.		
DRAWN BY	G.G.	APP. BY			DWG. No.	REV. No.
DATE		SCALE	NTS		ValourRoad-15	0
					<b>TITLE</b> <b>15 FOOT OCTAGONAL BANNER POLE</b>	
					SHT. 1 of 1 SHTS.	