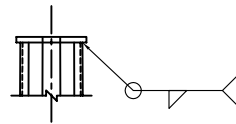


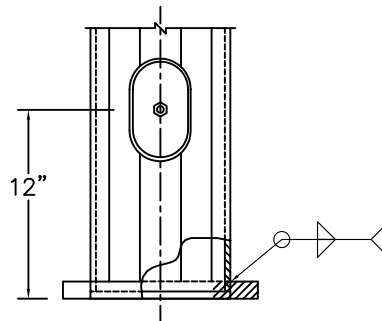
FINIAL DETAIL



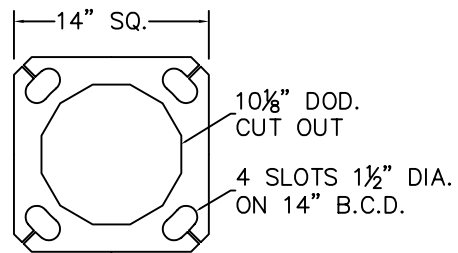
TENON PLATE DETAIL





POLE TOP DETAIL



BASE JOINT DETAIL



BASE DETAIL

1						DAVID WAGNER	VALOUR ROAD	
No. REQ'D.	W.O. No.	FILE No.	DATE	P.O. No.		CUSTOMER	LOCATION	
						 <small>WEST COAST ENGINEERING GROUP LTD.</small>	 <small>1450 Saskatchewan Avenue Winnipeg, Manitoba, Canada R3E 0L3 Ph: (204) 987-3110 • Fx: (204) 775-9066 www.martec-mfg.mb.ca</small>	
REV.No.	CHANGE		BY	APP.	DATE			TITLE
DRAWN BY	G.G.	APP. BY				DWG. No.	REV. No.	SHT. 1
DATE		SCALE		NTS		ValourRoad-32	0	of 1 SHTS.