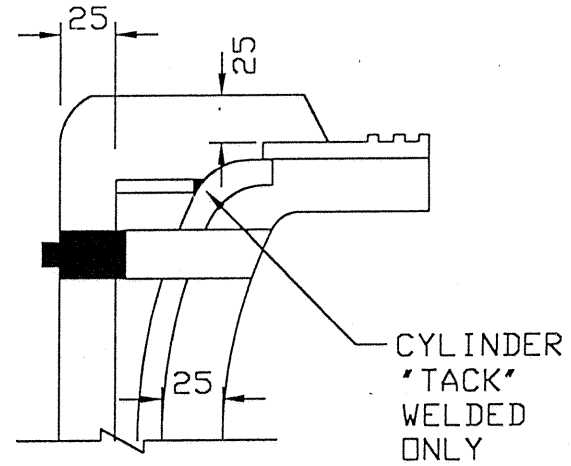
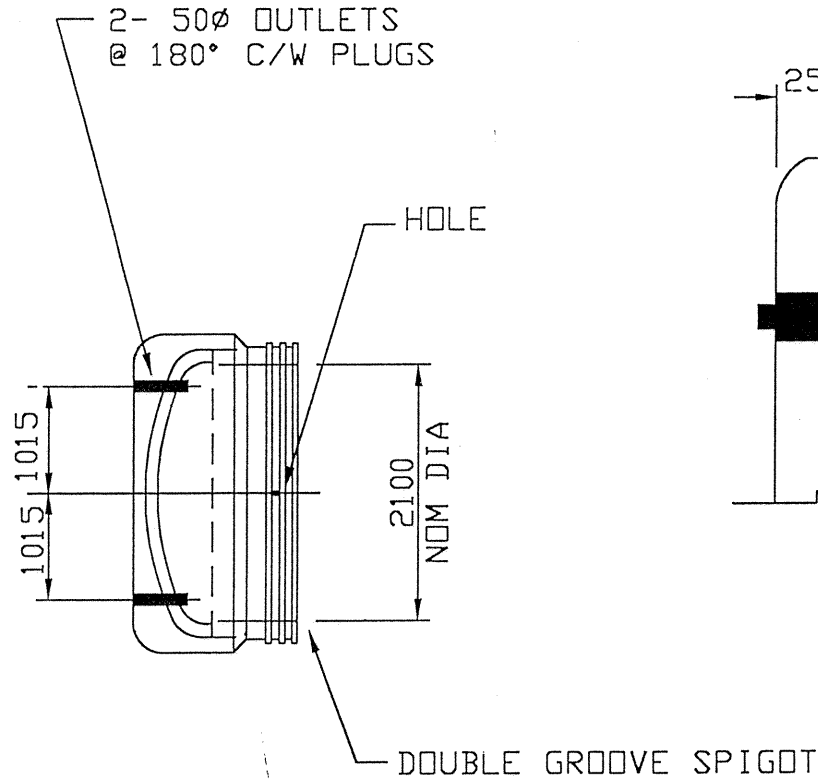


TORISHERICAL HEAD
 O.D. HEAD = R = 2232 ⁺⁰/₋₆
 K.R. = 134
 ASTM A515 Gr 70
 A516 Gr 70
 PL = 8



TYPE 50 CEMENT INSIDE & OUTSIDE

SPECIFICATION : AWWA C301(E)
 TYPE : "B"
 CLASS/PRESSURE : 350 KPA
 PLATE THICKNESS :
 WIRE MESH :
 WALL THICKNESS : }

A	95/05/24	PLUGS FOR OUTLETS ADDED	SZ
REV.	DATE:	REVISION	BY:

THIS DRAWING AND ALL TECHNICAL INFORMATION APPEARING HEREON ARE THE PROPERTY OF HYPRESCON INC. AND MUST BE KEPT IN CONFIDENCE BY THE RECIPIENT. THE SAME MAY NOT BE USED OR REPRODUCED EITHER IN WHOLE OR IN PART WITHOUT THE EXPRESS CONSENT OF HYPRESCON INC., WHICH RESERVES ALL RIGHTS OF COPYRIGHT.

HYPRESCON inc.

WINNIPEG - P.D. 95-2

DETAIL OF MK: 4

SCALE: NOT TO SCALE DATE: 95/04/20

DRAWN	CHECKED	APPROVED	PROJECT	DWG.	REV.
SZ			9007-95	C- 4	A

F-4135 - 38