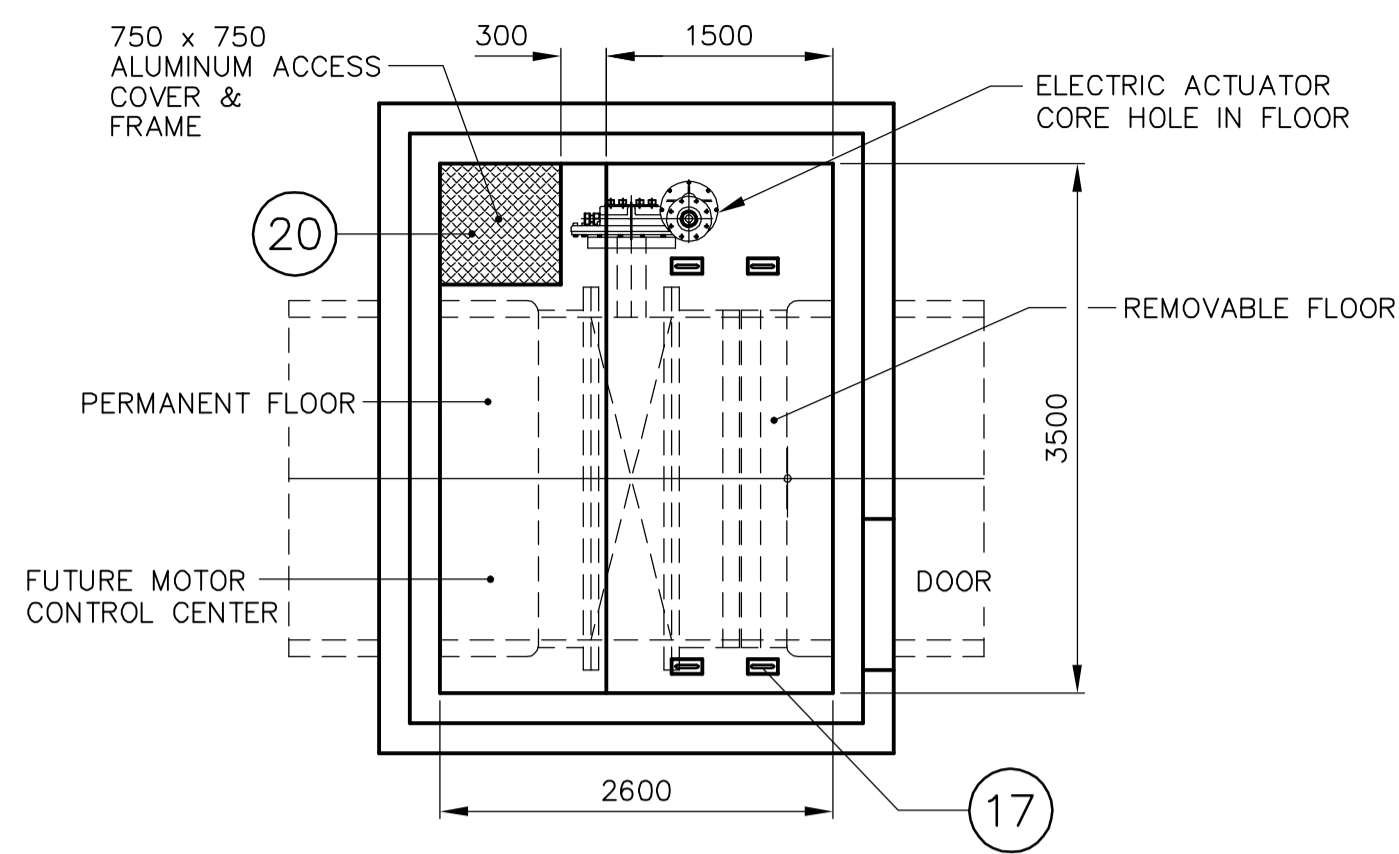
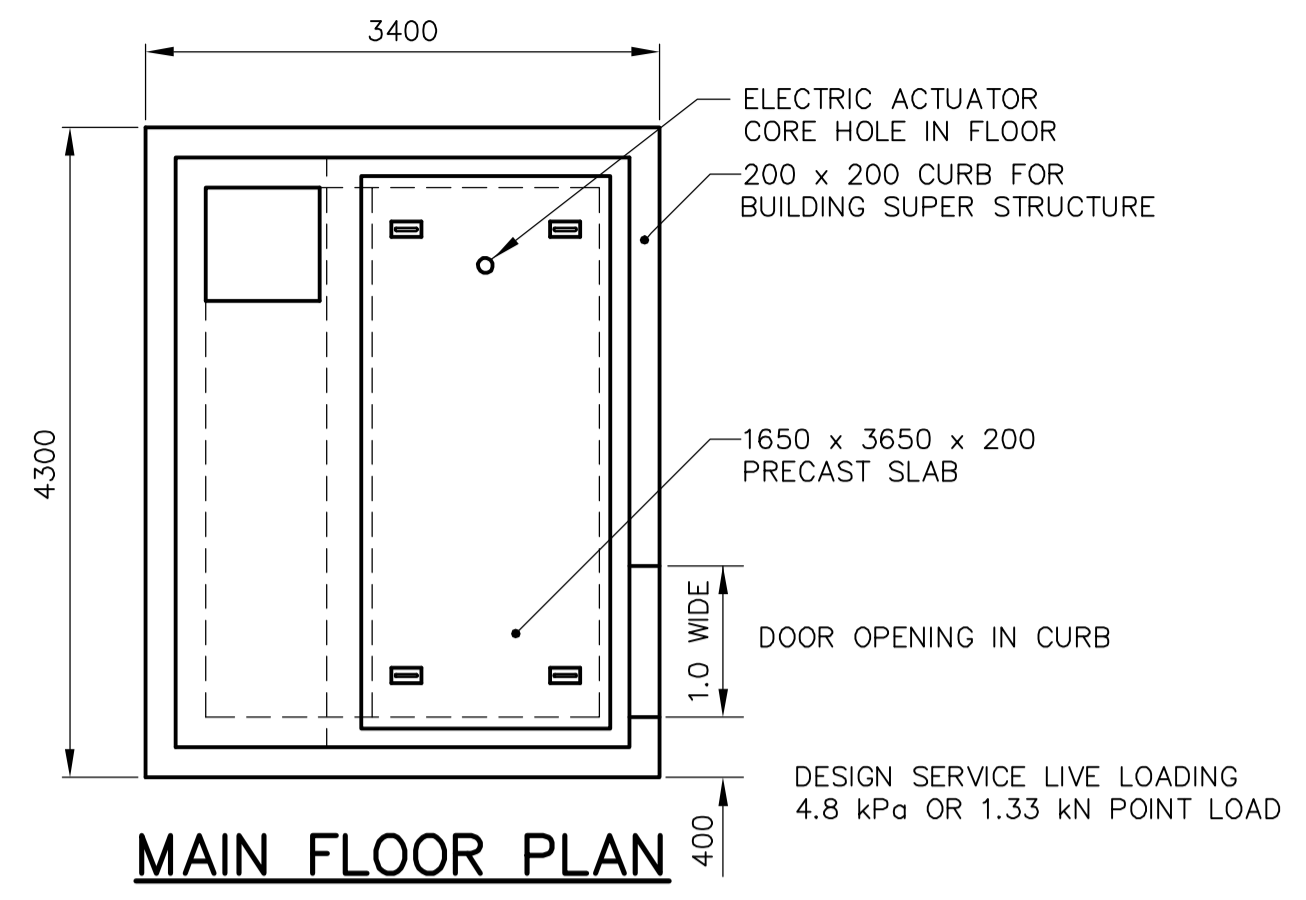


**PLAN AT EL 228.35**

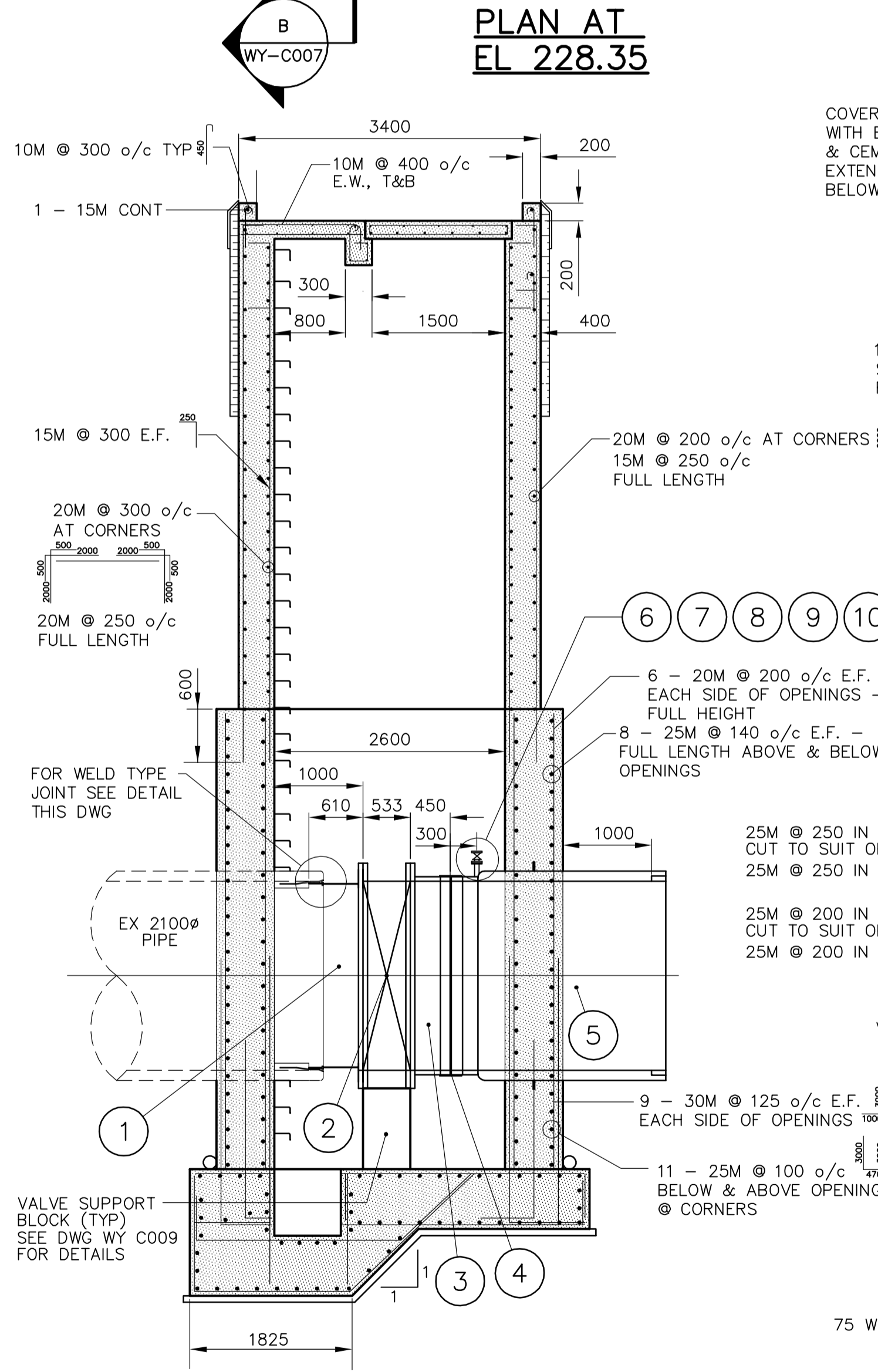


**PLAN AT FIN FLR EL 237.18**

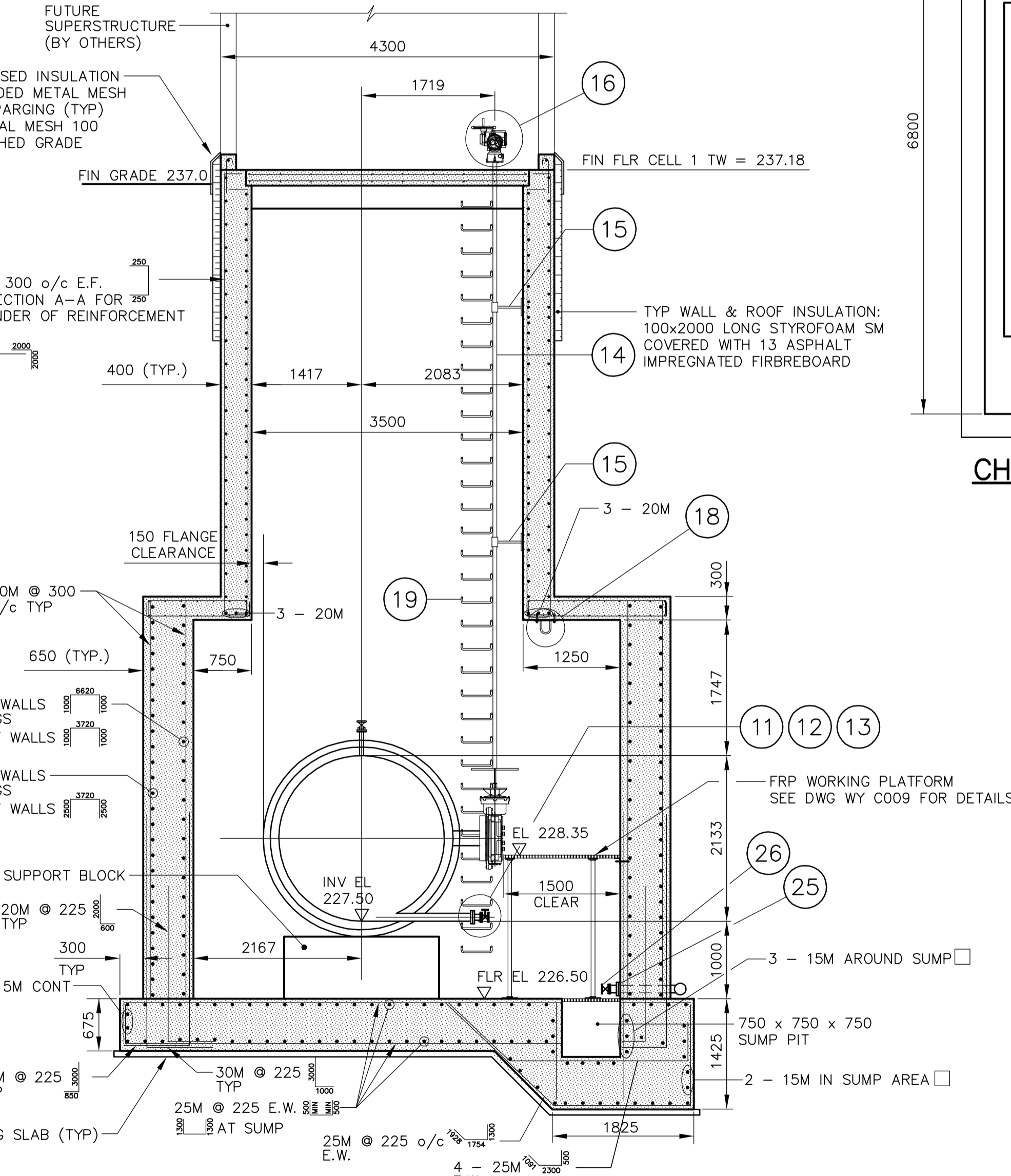


**MAIN FLOOR PLAN**

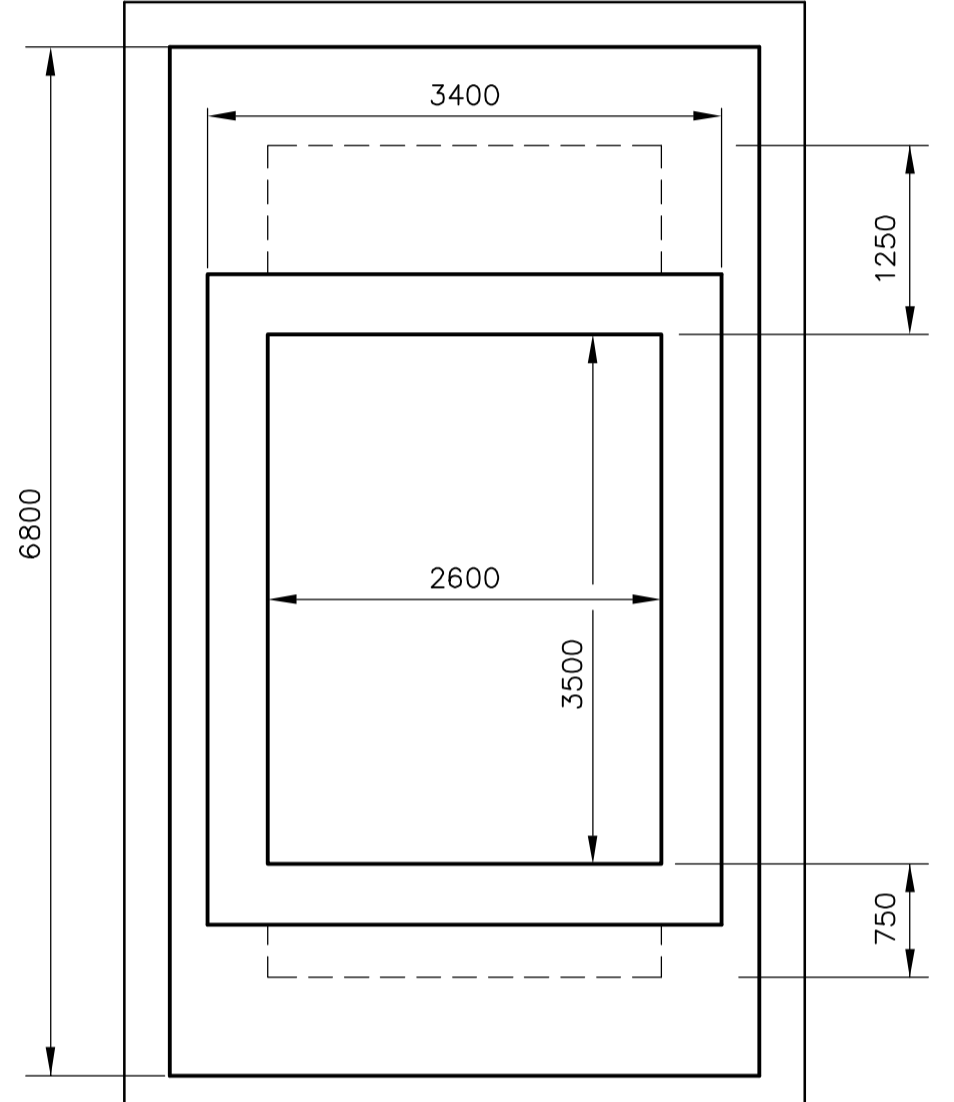
Item	DESCRIPTION	Length	Number
1	2133 FLANGE ADAPTOR S X PE WELD TO BELL	610	1
2	2133 AWWA C504 BUTTERFLY VALVE ( SUPPLY BY OTHERS)	533	2
3	2133 SPOOL PIECE F X PE	450	1
4	2133AWWA C219 BOLTED SLEEVE COUPLER ( 250X12THICK SLEEVE)	-	1
5	2133 WALL PIECE F X B. CW THRUST FLANGE, 100 BOTTOM TANGENT FLANGED OUTLET ( 300FROM FACE OF FLANGE), AND 50 THREADED OUTLET ( TOP)	2250	1
6	50 SCHEDULE 80 STEEL NIPPLE (THREADED)	125	3
7	50 STEEL FLANGE CL 125 ( THREADED) C/W ISOLATION KIT	-	3
8	50 CAST BRONZE OR BRASS FLANGE ( THREADED)	-	3
9	50 CAST BRONZE OR BRASS NIPPLE ( THREADED)	125	3
10	50 BRONZE GATE VALVE (THREADED)	-	3
11	100 X 75 CAST BRONZE OR BRASS REDUCING FLANGE CW INSULATING KIT	-	3
12	75 CAST BRONZE OR BRASS NIPPLE ( THREADED)	125	3
13	75 BRONZE GATE VALVE ( THREADED)	-	3
14	50 VALVE STEM EXTENSION ( SUPPLY BY OTHERS)	To Suit	3
15	VALVE STEM GUIDE	-	2
16	ELECTRIC VALVE ACTUATOR AND STAND (BY OTHERS)	-	1
17	REMOVABLE SLAB LIFTING LUG	-	4
18	U-BOLT LIFTING HOOKS	-	3
19	STANDARD CITY OF WINNIPEG DRIVE IN ALUMINUM STEPS	-	36
20	750 X 750 ALUMINUM CHECKERPLATE ACCESS COVER	-	1
21	150 PVC DR 35 SUBDRAIN REF CW SD -245	-	-
22	150 X 100 PVC TEE	-	-
23	100 PVC DR35 SOLID WALL DRAIN	-	-
24	100 PVC SOLVENT WELD FLANGE	-	-
25	100 GATE VALVE F X F	-	-
26	FRP SUMP COVER	-	-



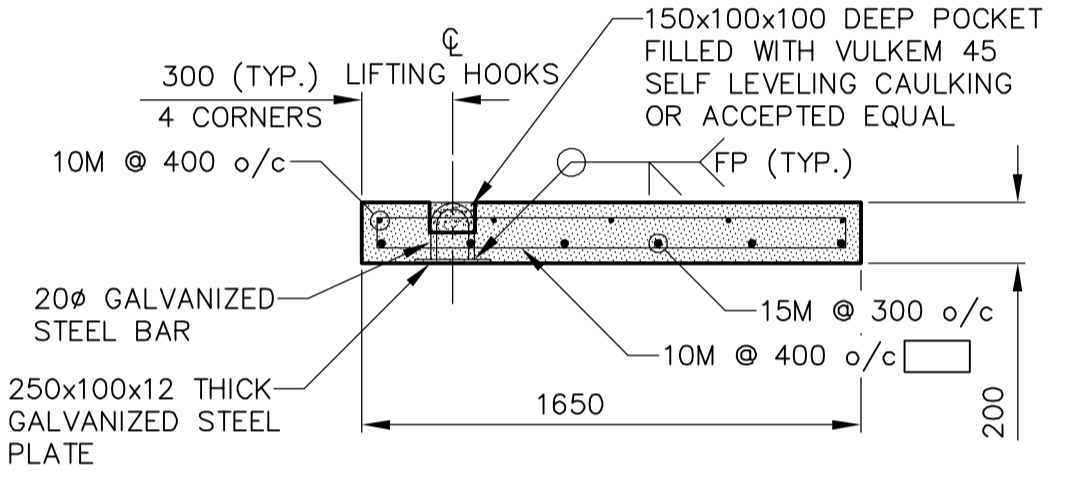
**SECTION A - A**



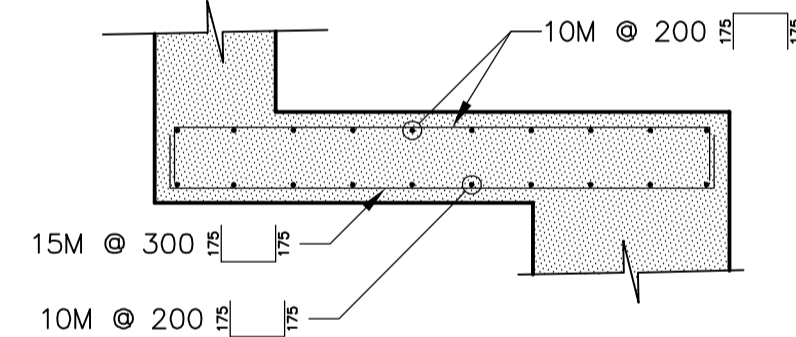
**SECTION B - B**



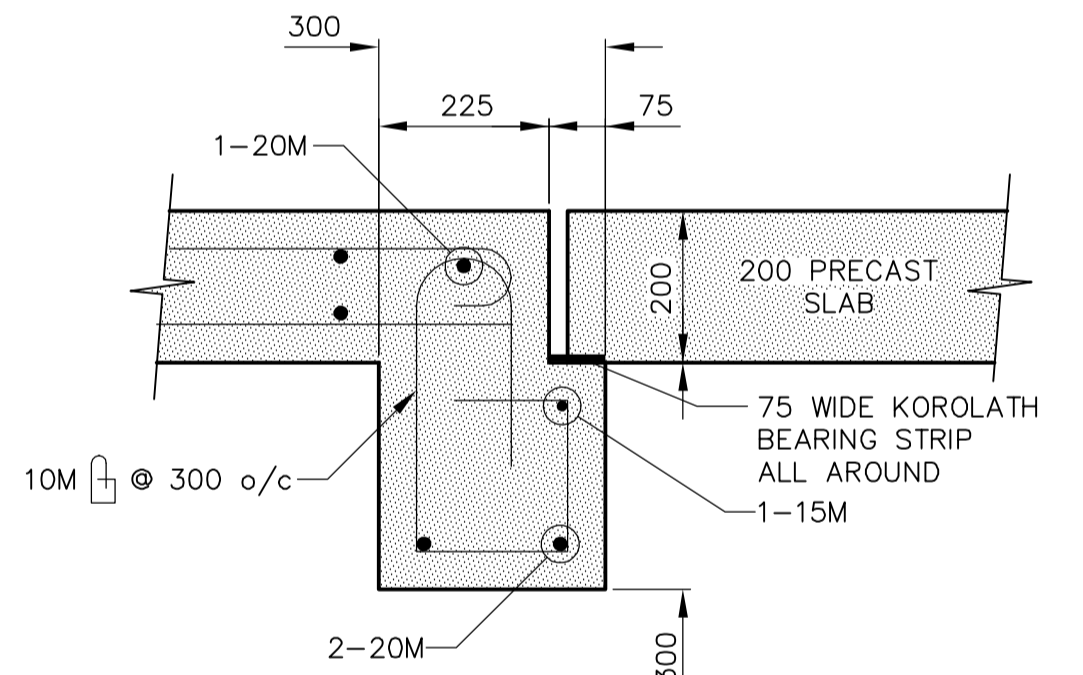
**CHAMBER ROOF PLAN**



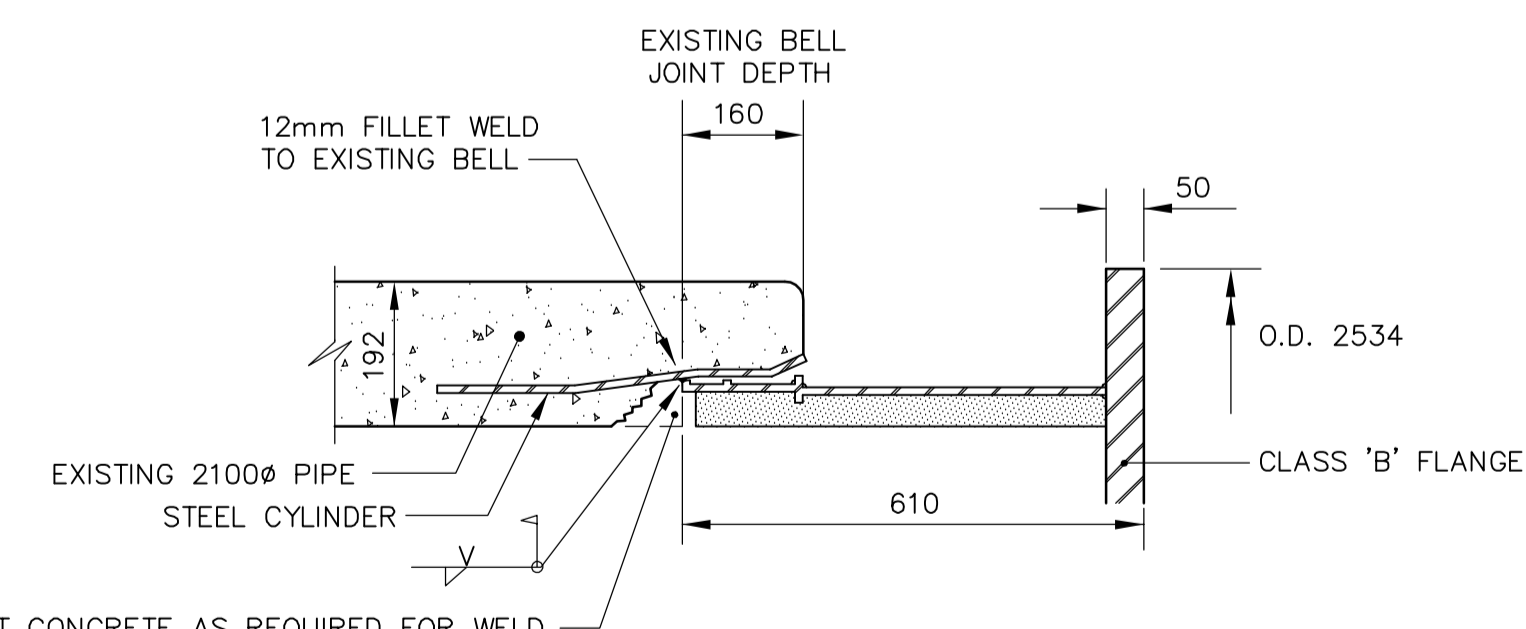
**PRECAST MAIN FLOOR PANEL SCALE 1:25**



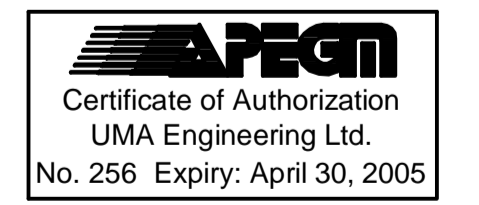
**VALVE CHAMBER ROOF SLAB TYP SCALE 1:25**



**MAIN FLOOR BEAM SCALE 1:10**



**WELDED TYPE JOINT DETAIL**



**CELL 3 TREATED WATER VALVE CHAMBER**

NO.	REVISIONS	DATE	BY
0	ISSUED FOR TENDER	05/04/15	Wjd
A	ISSUED FOR REVIEW	05/04/06	Wjd

DESIGNED BY	CHECKED BY
SBB/MGM	SBB
DRAWN BY	APPROVED BY
Wjd	Bryan Weber

ORIGINAL SIGNED BY
S. B. BISWANGER
2005/04/15

**UMA AECOM**

© 2005 UMA ENGINEERING LTD. ALL RIGHTS RESERVED.

**ENGINEER'S SEAL**

**THE CITY OF WINNIPEG WATER AND WASTE DEPARTMENT ENGINEERING DIVISION**

WINNIPEG WATER TREATMENT PROGRAM CONSTRUCTION OF YARD PIPING AND VALVE CHAMBERS

CITY FILE NUMBER: SHEET 1 OF 1

CITY DRAWING NUMBER: I-0601Y-C-C0007-001-00D

YARD PIPING - CELL 3 TREATED WATER VALVE CHAMBER SECTIONS & DETAILS