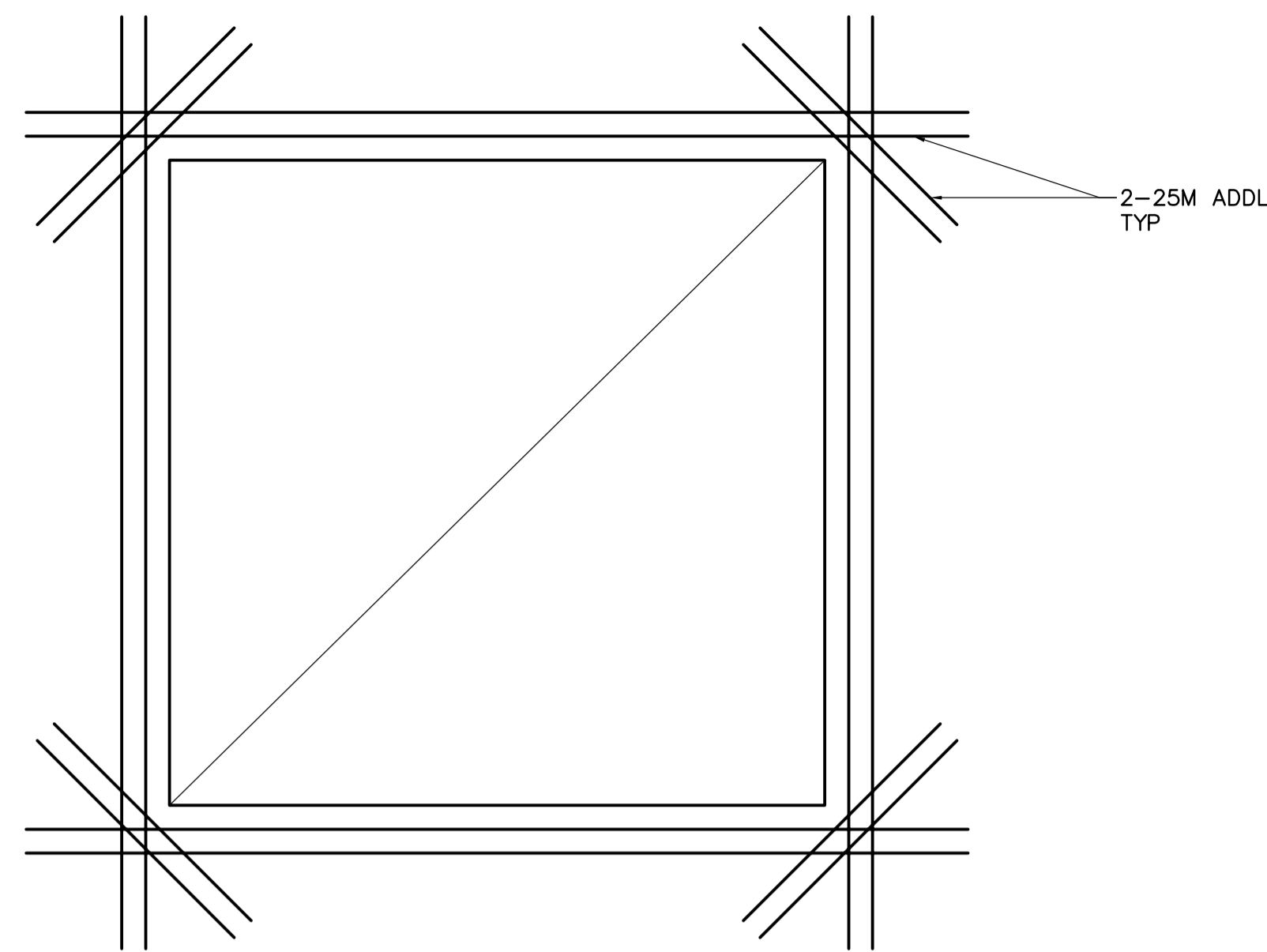
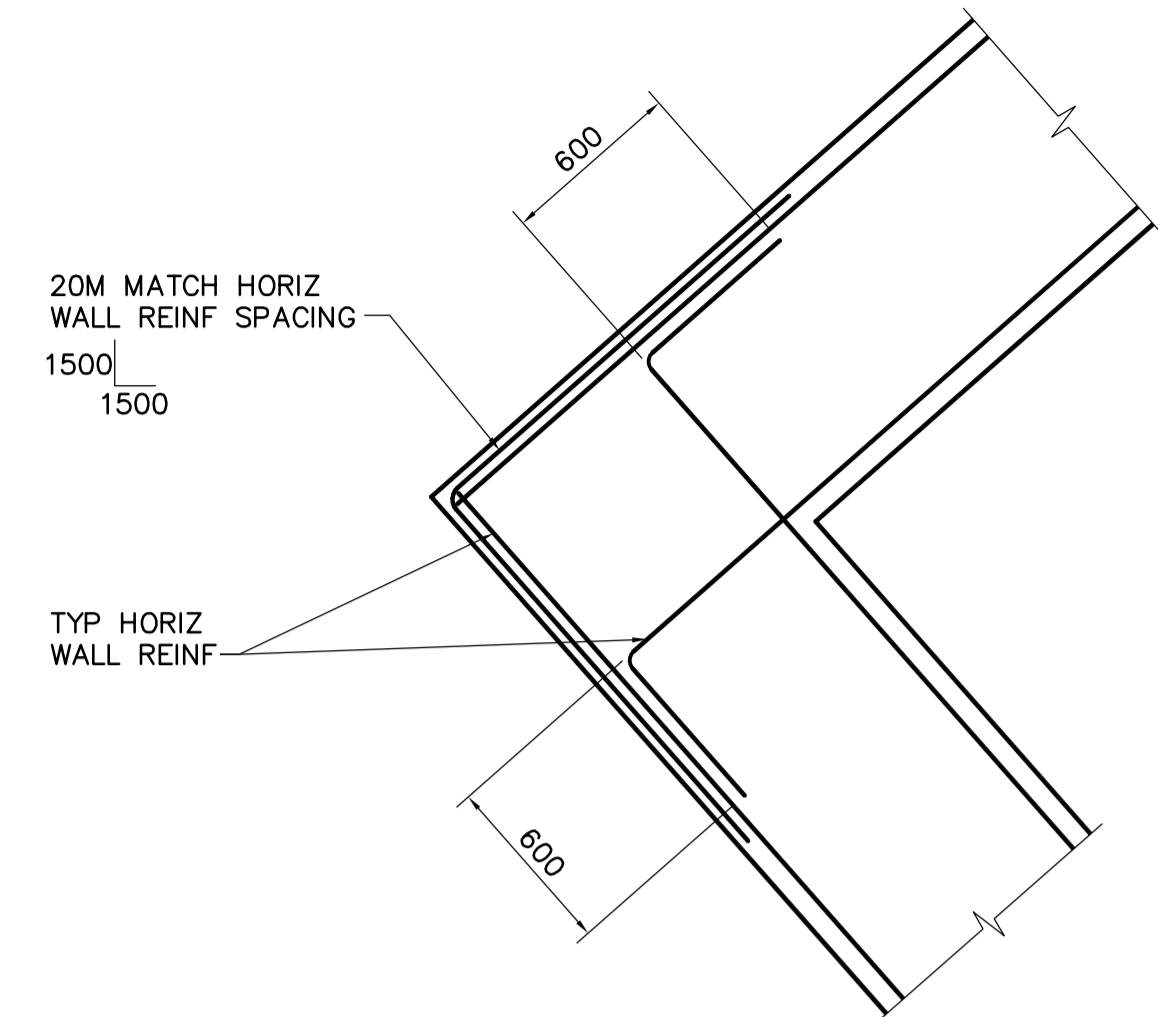


TYPICAL ALUMINUM LADDER DETAIL
N.T.S.

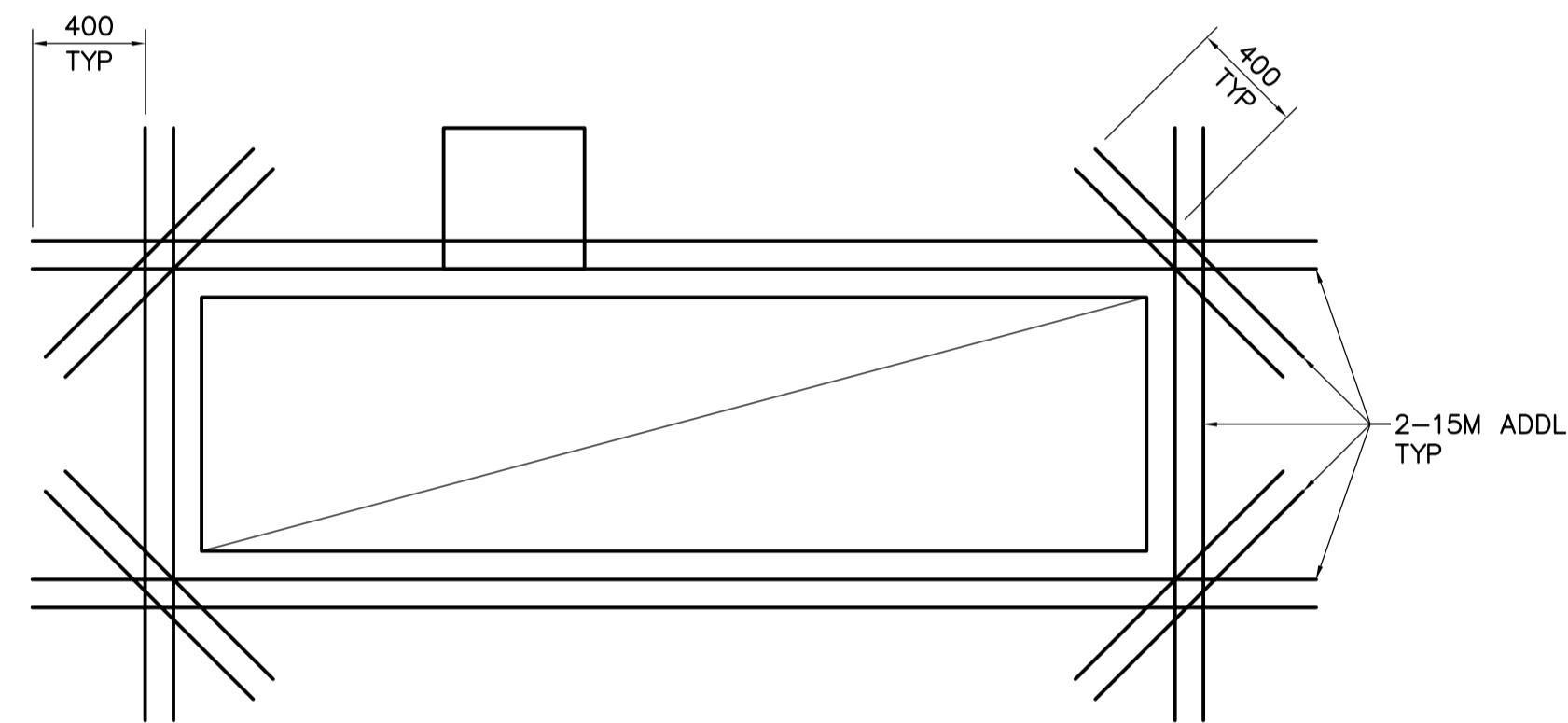
TYPICAL ALUMINUM LADDER SECTION
N.T.S.



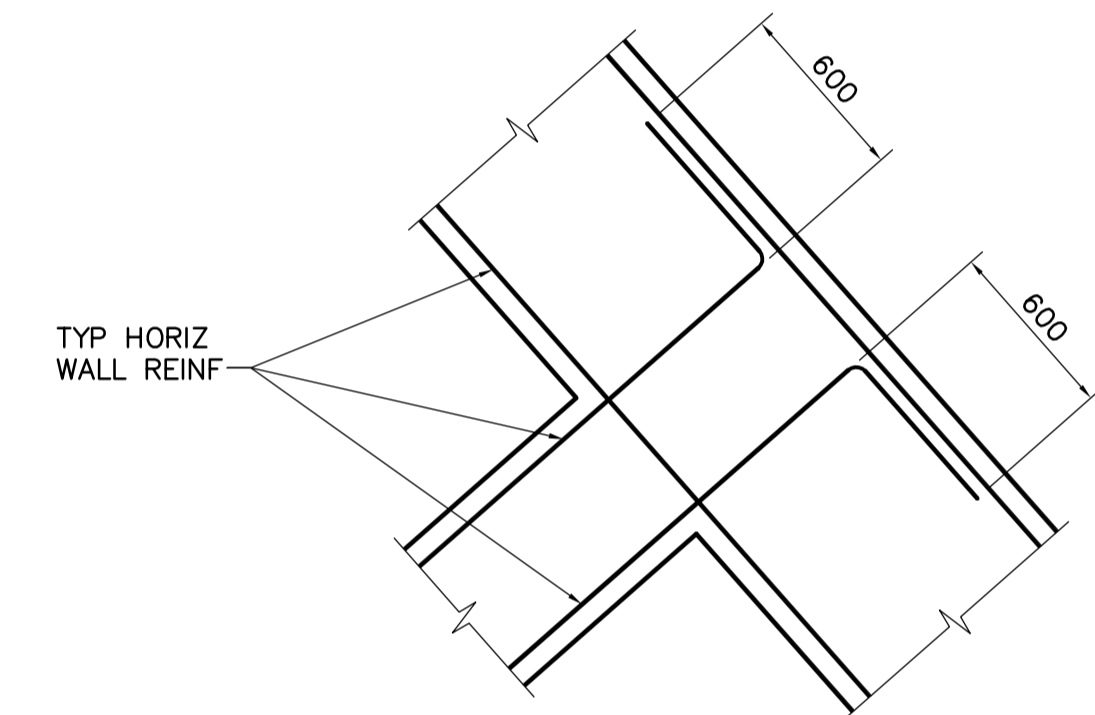
TYPICAL REINFORCING AROUND OPENINGS THROUGH CONCRETE WALL
N.T.S.



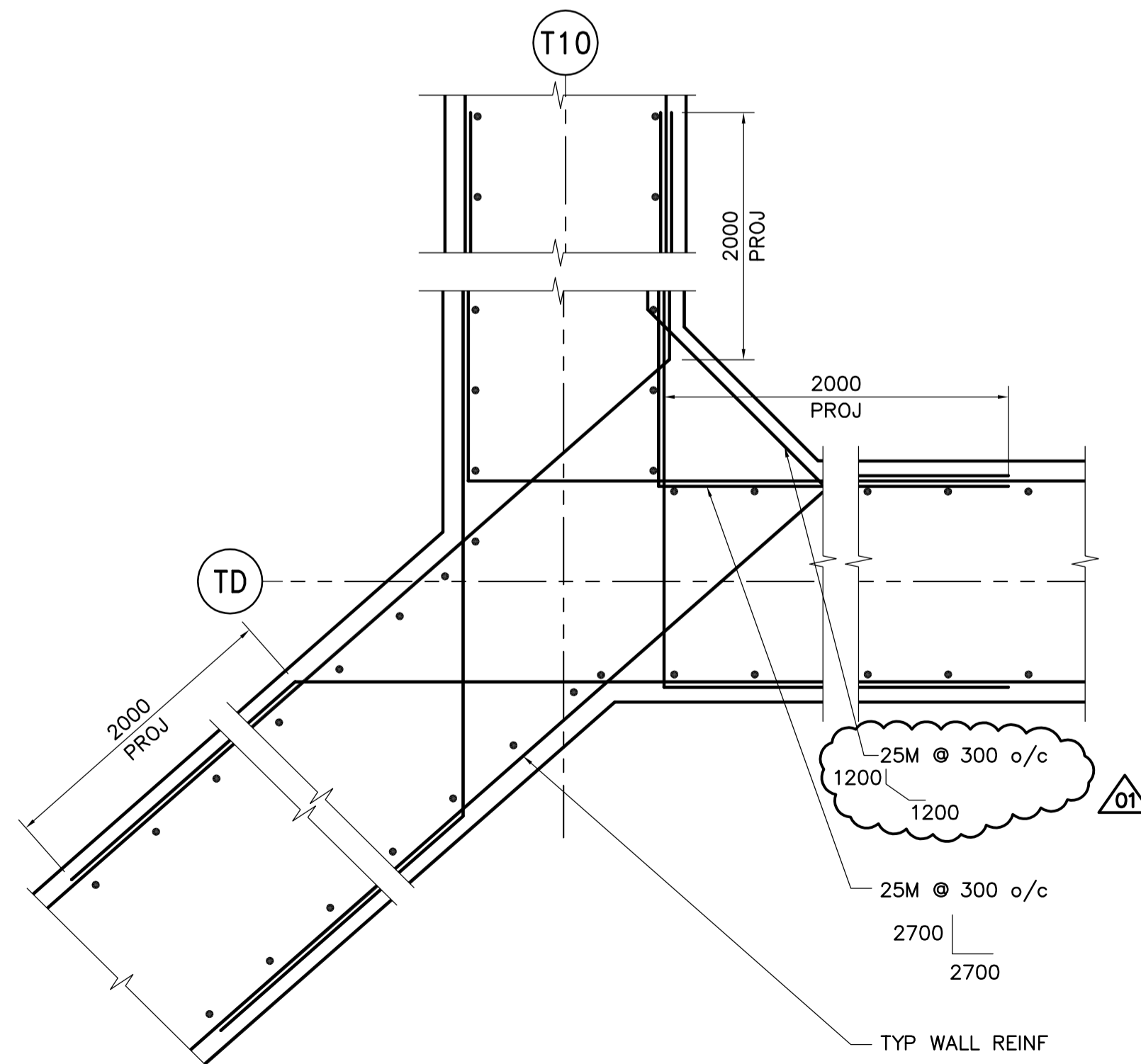
TYPICAL REINFORCING AT WALL CORNER AT OUTLET STRUCTURE
N.T.S.



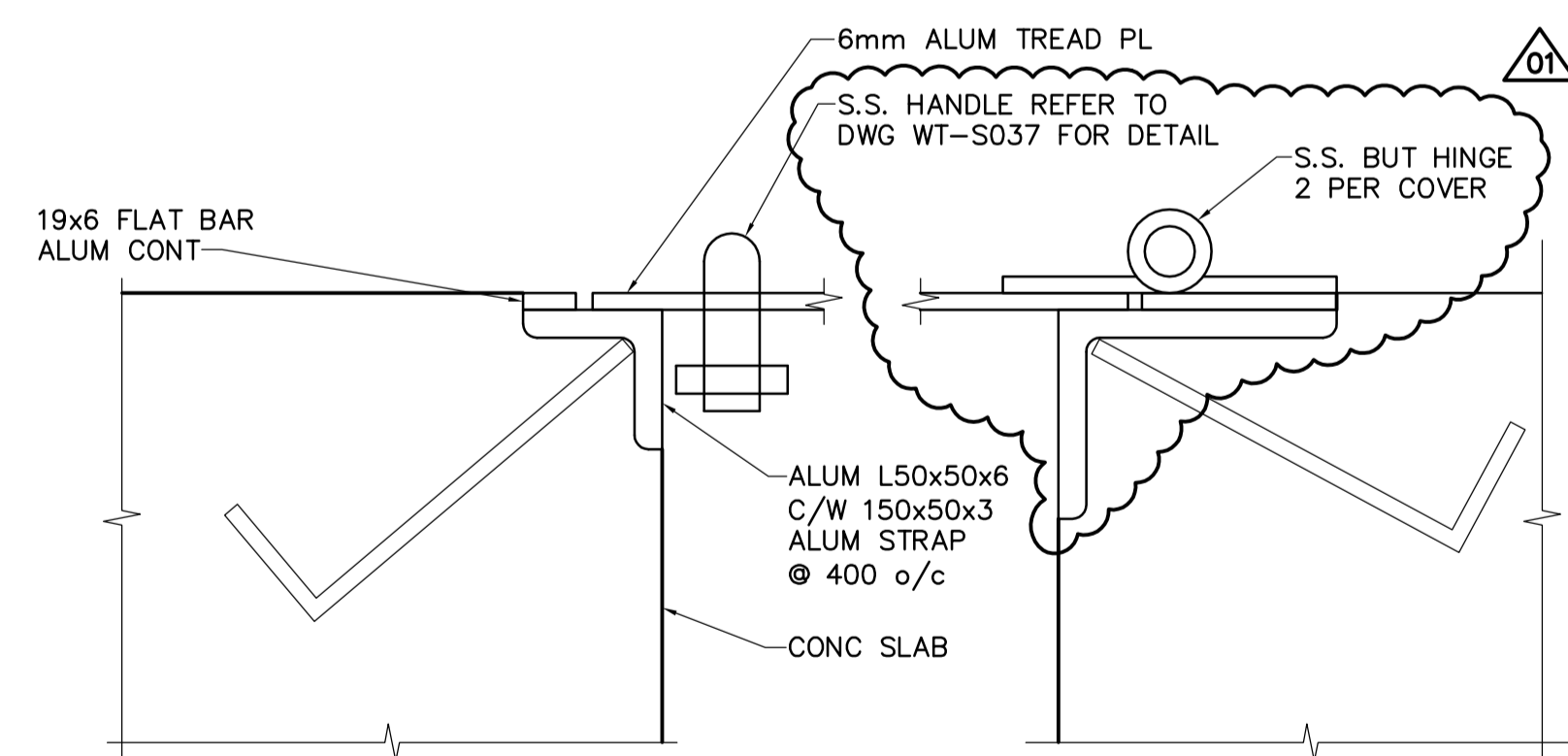
TYPICAL REINFORCING AROUND OPENINGS THROUGH CONCRETE SLAB
N.T.S.



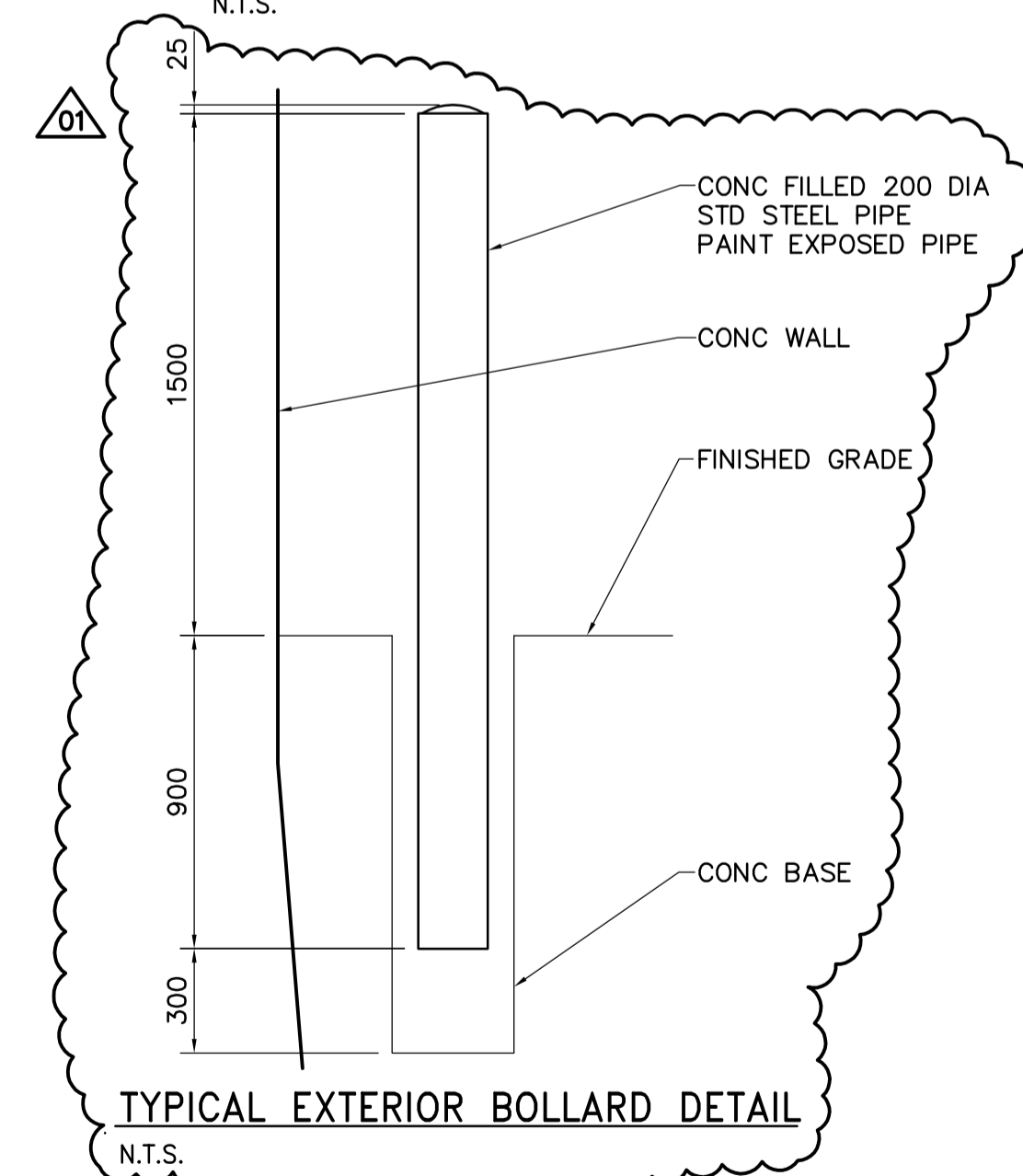
TYPICAL REINFORCING AT WALL INTERSECTION AT OUTLET STRUCTURE
N.T.S.



WALL REINFORCING AT INTERSECTION GRIDLINES T10 AND TD
N.T.S.



TYPICAL ALUMINUM COVER DETAIL
N.T.S.



TYPICAL EXTERIOR BOLLARD DETAIL
N.T.S.

APECM
Certificate of Authorization
Earth Tech Canada Inc.
No. 730 Expiry: April 30, 2006

B.M. ELEV.			
DESIGNED BY	FK	CHECKED BY	MK
DRAWN BY	CMS	APPROVED BY	AHL
01	166-2005 ADDENDUM 1	05/05/06	C.T.
00	ISSUED FOR TENDER	05/04/17	C.T.
NO.	REVISIONS	DATE	BY

CH2MHILL
Frederickson Cooper
ARCHITECTS
DESIGNED BY: FK
DRAWN BY: CMS
HOR. SCALE: AS NOTED
VERTICAL SCALE:

EarthTech
A Technological U.S. Company
R. SOROKOWSKI
RELEASED FOR CONSTRUCTION BY:
DATE: 2005-04-17

ENGINEER'S SEAL
ORIGINAL SIGNED BY
F.A. KEMP
2005/04/17
CONSULTANT DRAWING NO.
WT-S033

THE CITY OF WINNIPEG
WATER AND WASTE DEPARTMENT
ENGINEERING DIVISION
Winnipeg

WATER TREATMENT PLANT CLEARWELL CONSTRUCTION

STRUCTURAL STANDARD DETAILS

CITY FILE NUMBER
SHEET OF
CITY DRAWING NUMBER
1-060T-D-S0033-001-01D