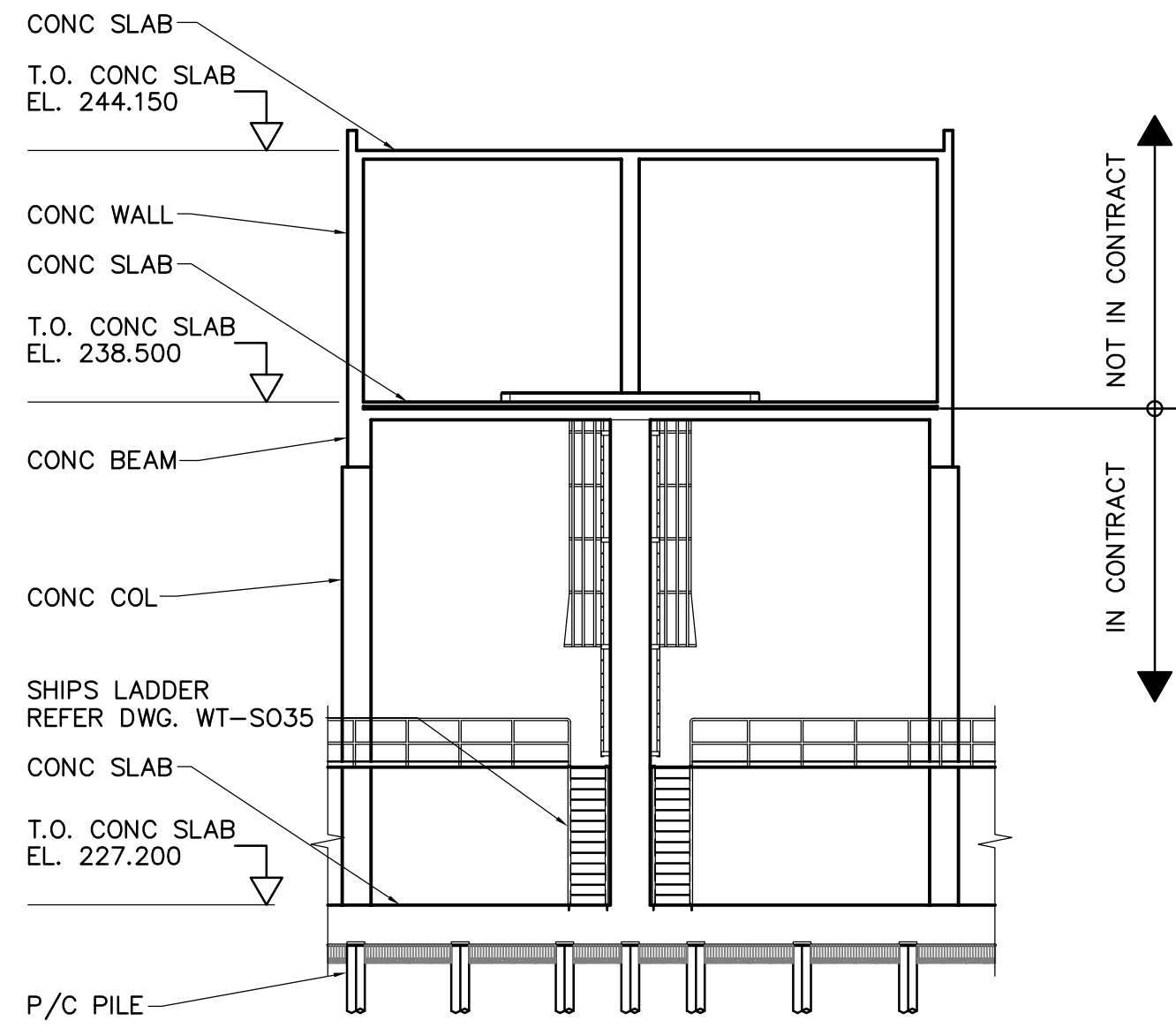
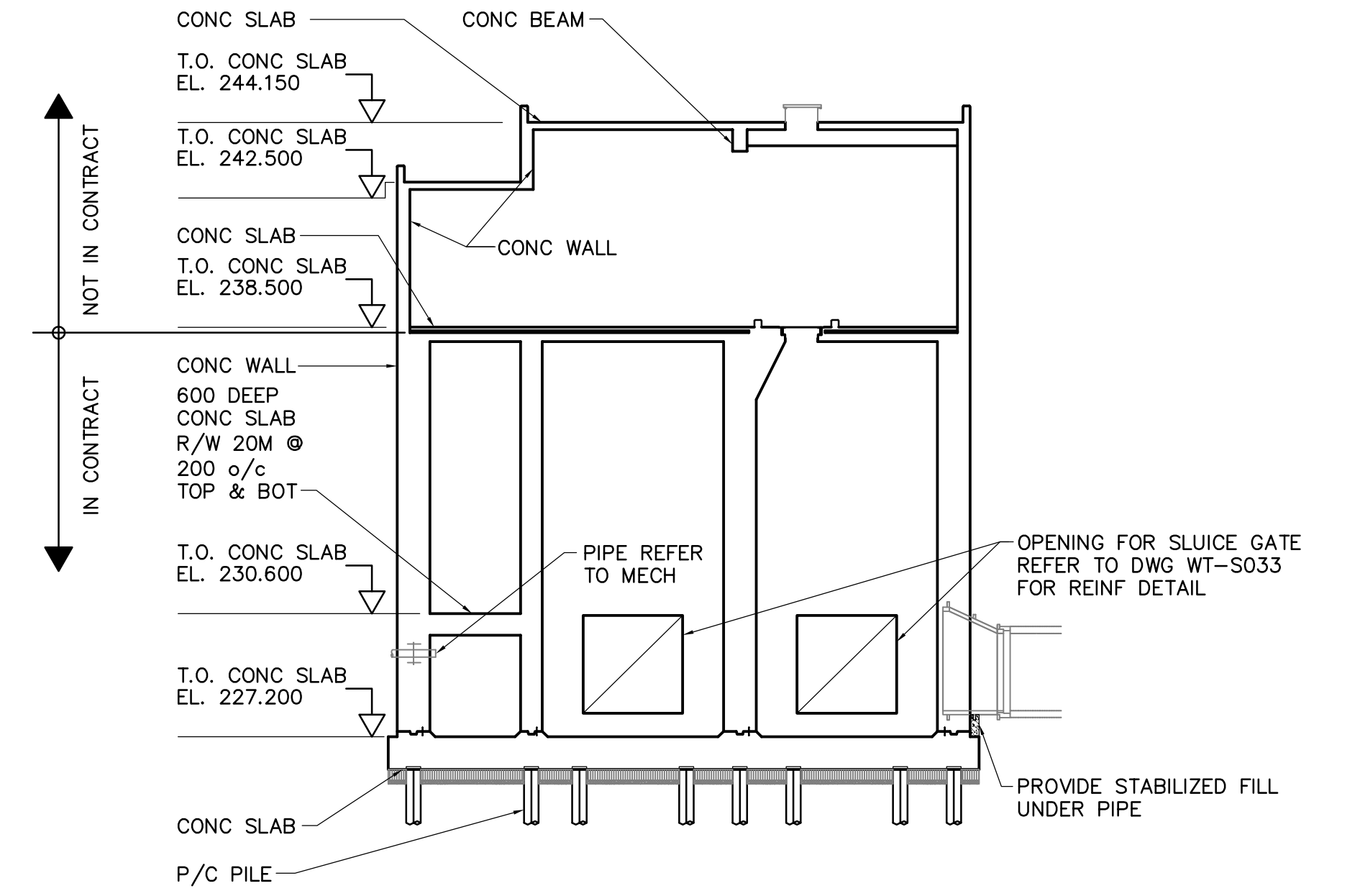


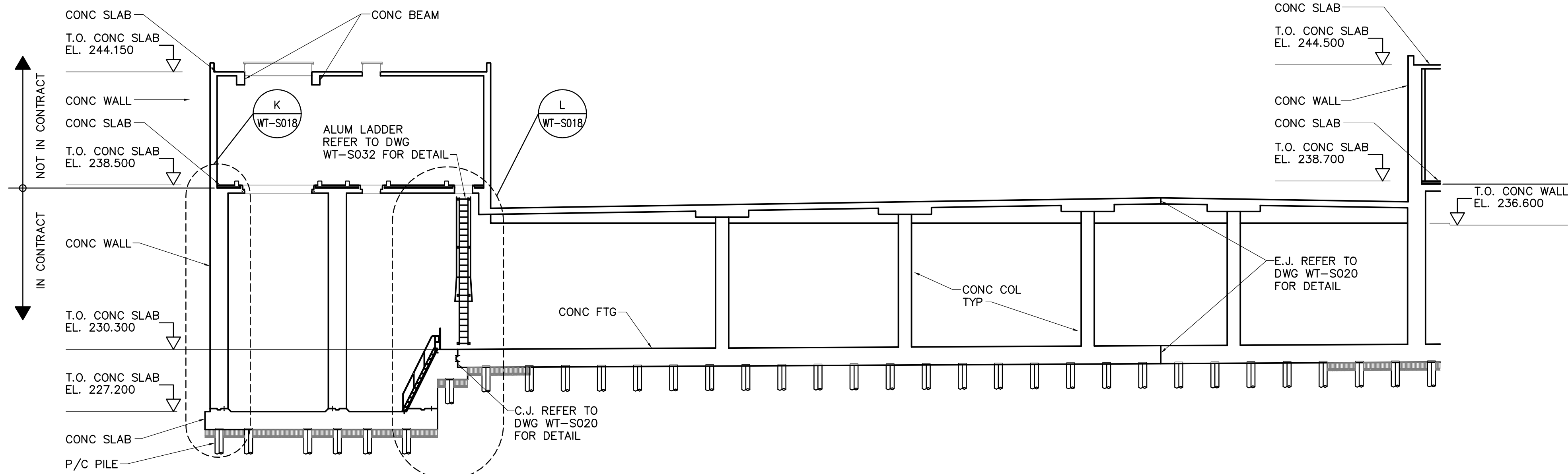
4 SECTION  
WT-S007 1:150



5 SECTION  
WT-S007 1:150



6 SECTION  
WT-S007 1:150



7 SECTION  
WT-S007 1:150

DRAWING NOTES:  
1. REFER TO DRAWING WT-S001 FOR GENERAL NOTES.



B.M. ELEV.	NO.	ISSUED FOR TENDER	DATE	BY	NO. REVISIONS
	00	ISSUED FOR TENDER	05/04/17	C.T.	

 Frederickson Cooper ARCHITECTS		 A Tyco International Ltd. Company	
DESIGNED BY	FK	CHECKED BY	MK
DRAWN BY	C.T.	APPROVED BY	AHL
HOR. SCALE: AS NOTED		RELEASED FOR CONSTRUCTION BY:	
		R. SOROKOWSKI	
DATE	2005/02/09	DATE	2005-04-17

ENGINEER'S SEAL
ORIGINAL SIGNED BY
F.A. KEMP
2005/04/17
CONSULTANT DRAWING NO.
WT-S015

**THE CITY OF WINNIPEG**  
 WATER AND WASTE DEPARTMENT  
 ENGINEERING DIVISION

**WATER TREATMENT PLANT**  
**CLEARWELL CONSTRUCTION**

STRUCTURAL BUILDING SECTIONS

CITY FILE NUMBER  
 SHEET OF  
 CITY DRAWING NUMBER  
 1-0601T-A-S0015-001-00D