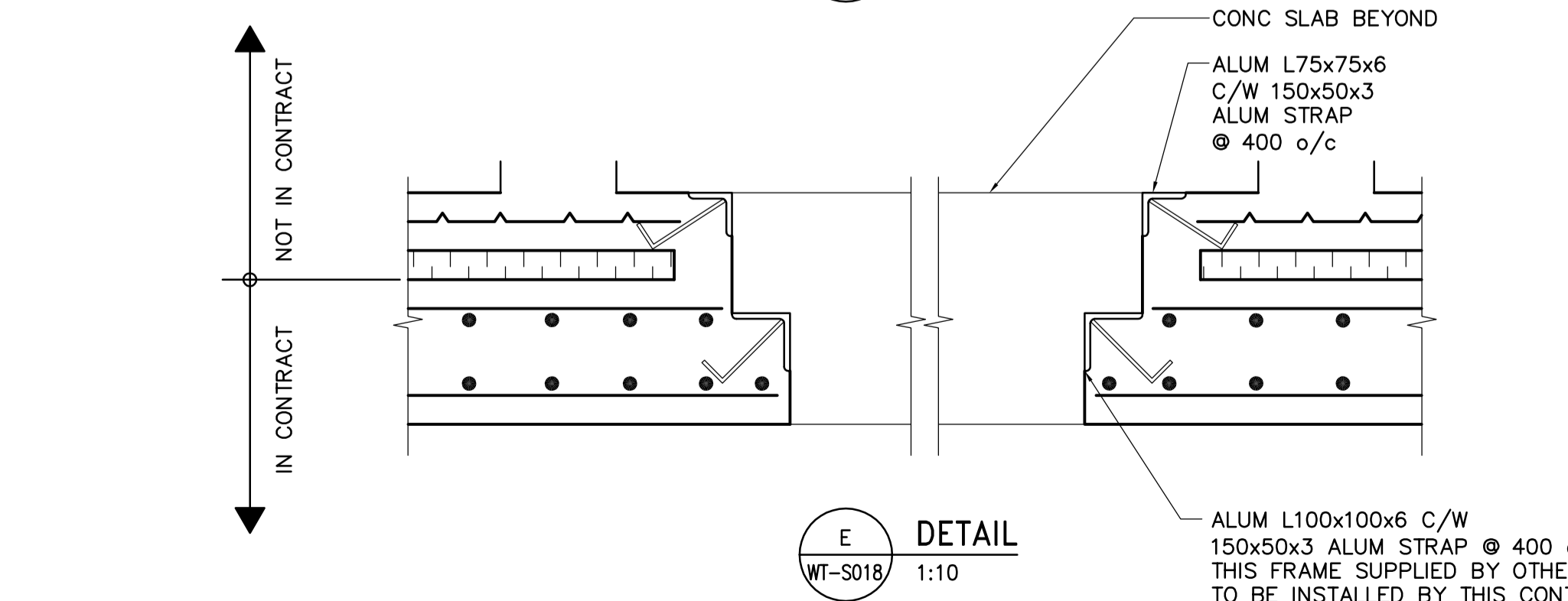
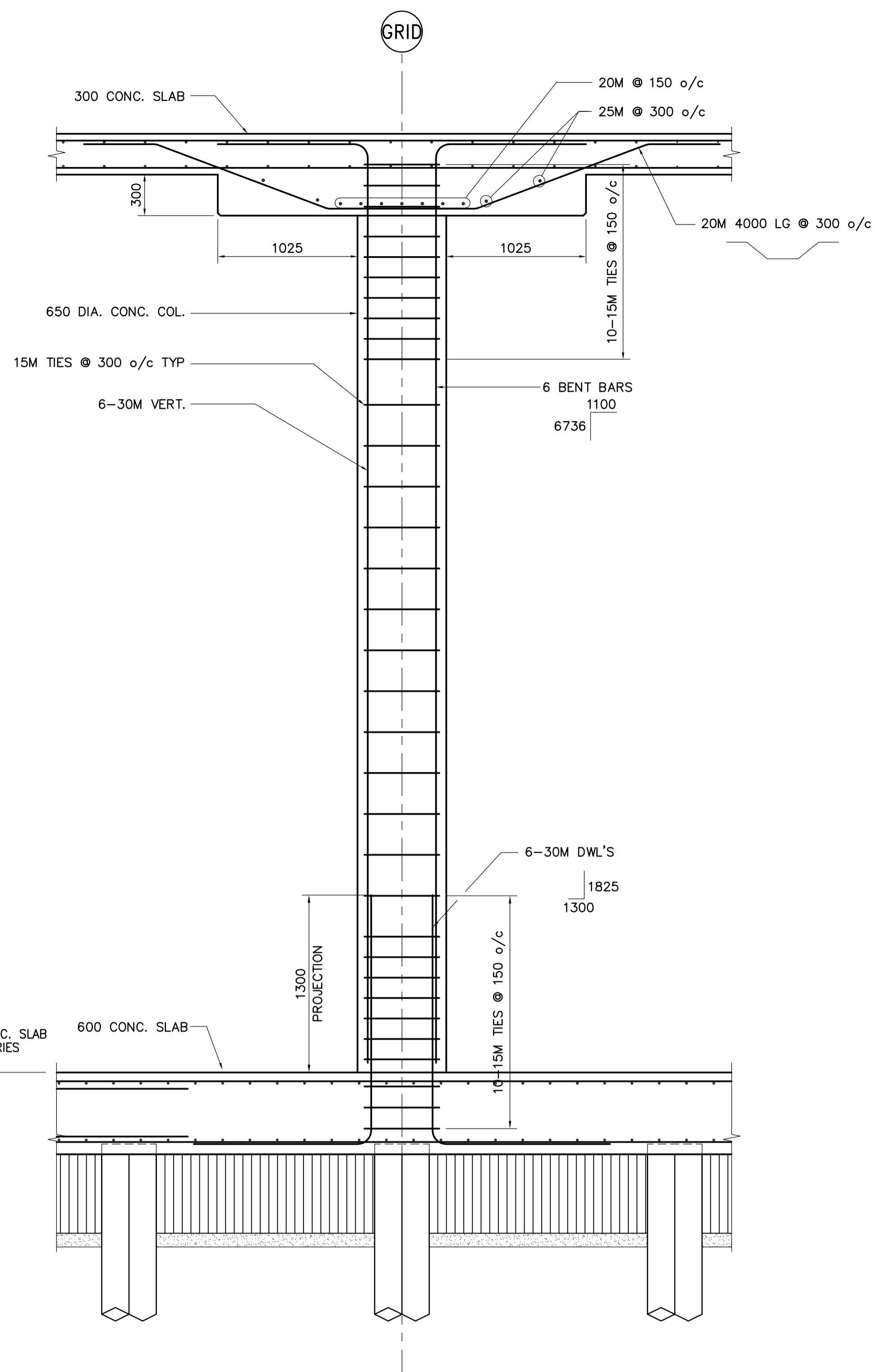


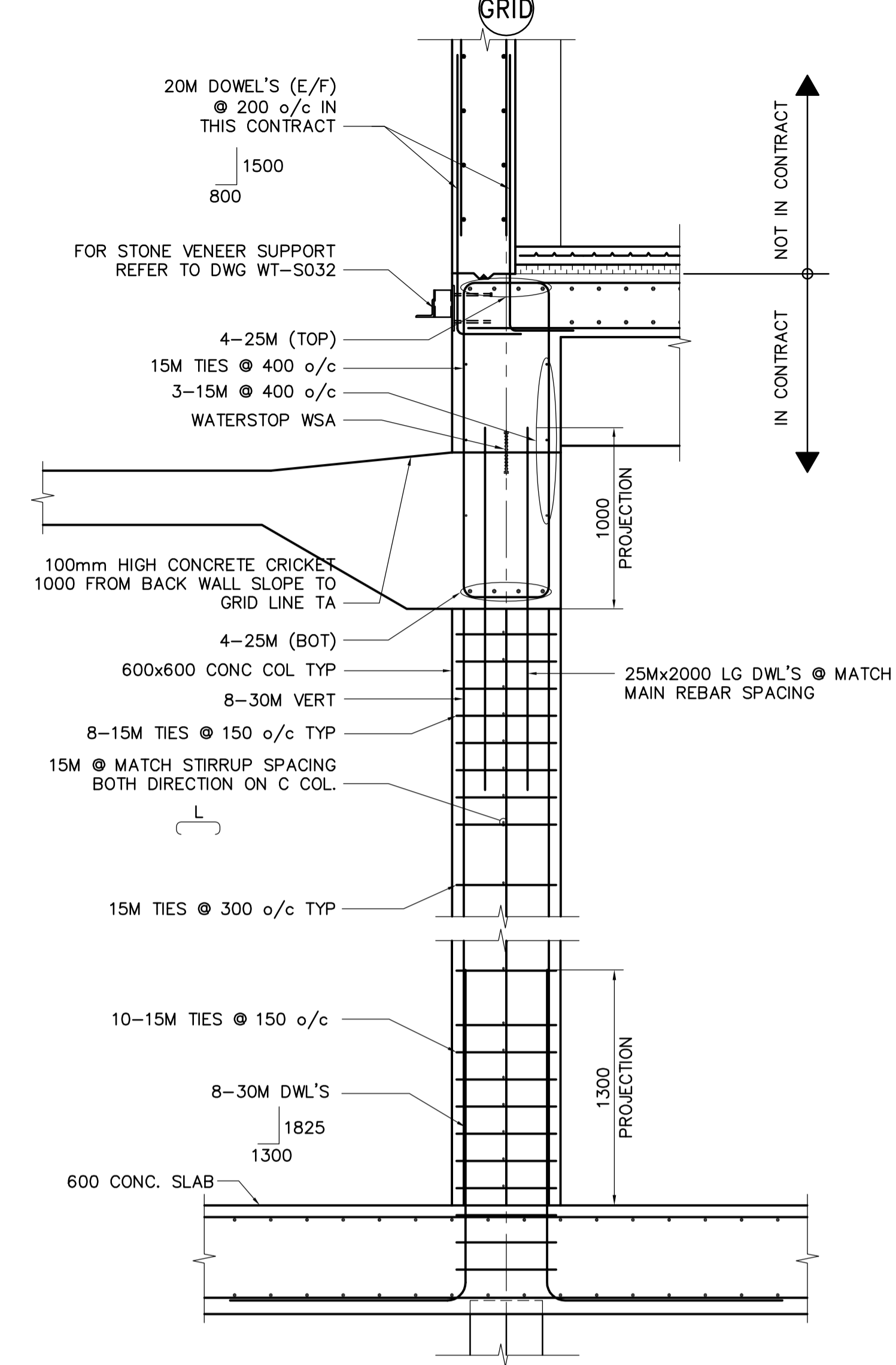
**A** DETAIL  
WT-S014 1:25



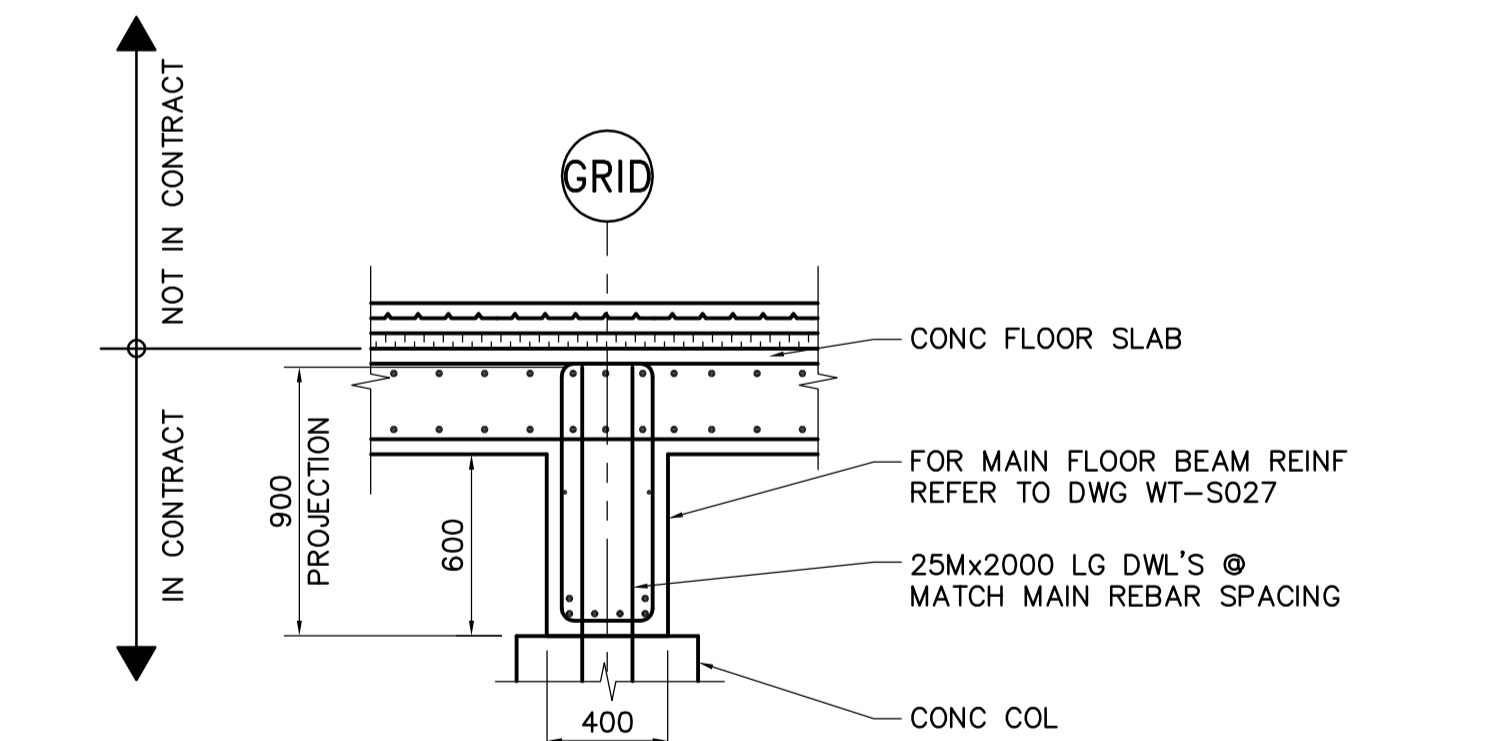
**E** DETAIL  
WT-S018 1:10



**B** DETAIL  
WT-S014 1:25



**C** DETAIL  
WT-S014 1:25



**D** DETAIL  
WT-S014 1:25

DRAWING NOTES:  
1. REFER TO DRAWING WT-S001 FOR GENERAL NOTES.

**APEGM**  
Certificate of Authorization  
Earth Tech Canada Inc.  
No. 730 Expiry: April 30, 2005

B.M. ELEV.	NO.	REVISIONS	DATE	BY	DATE
	00	ISSUED FOR TENDER	05/04/17	C.T.	

**CH2MHILL**  
Frederickson Cooper  
ARCHITECTS

DESIGNED BY: FK  
DRAWN BY: C.T. / WDB  
HOR. SCALE: AS NOTED  
VERTICAL SCALE:

CHECKED BY: MK  
APPROVED BY: AHL  
RELEASED FOR CONSTRUCTION BY:  
R. SOROKOWSKI  
DATE: 2005-02-09

**EarthTech**  
A Tyco International Ltd. Company

ENGINEER'S SEAL  
ORIGINAL SIGNED BY:  
F.A. KEMP & R.B. ERIC  
2005/04/17

CONSULTANT DRAWING NO.  
WT-S016

**THE CITY OF WINNIPEG**  
WATER AND WASTE DEPARTMENT  
ENGINEERING DIVISION

**WATER TREATMENT PLANT**  
CLEARWELL CONSTRUCTION

STRUCTURAL SECTIONS AND DETAILS

CITY FILE NUMBER  
SHEET OF  
CITY DRAWING NUMBER  
1-0601T-A-S0016-001-00D