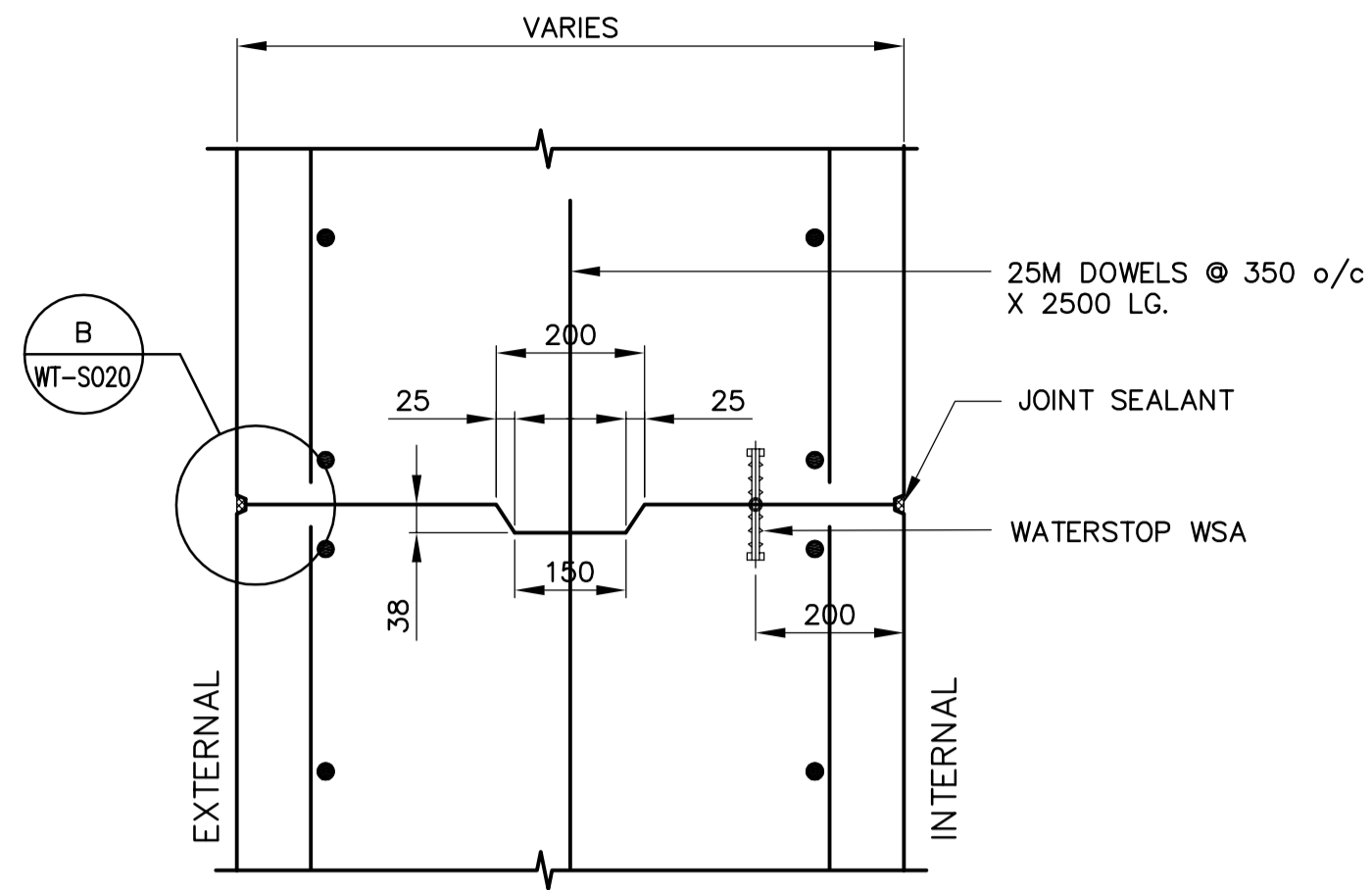
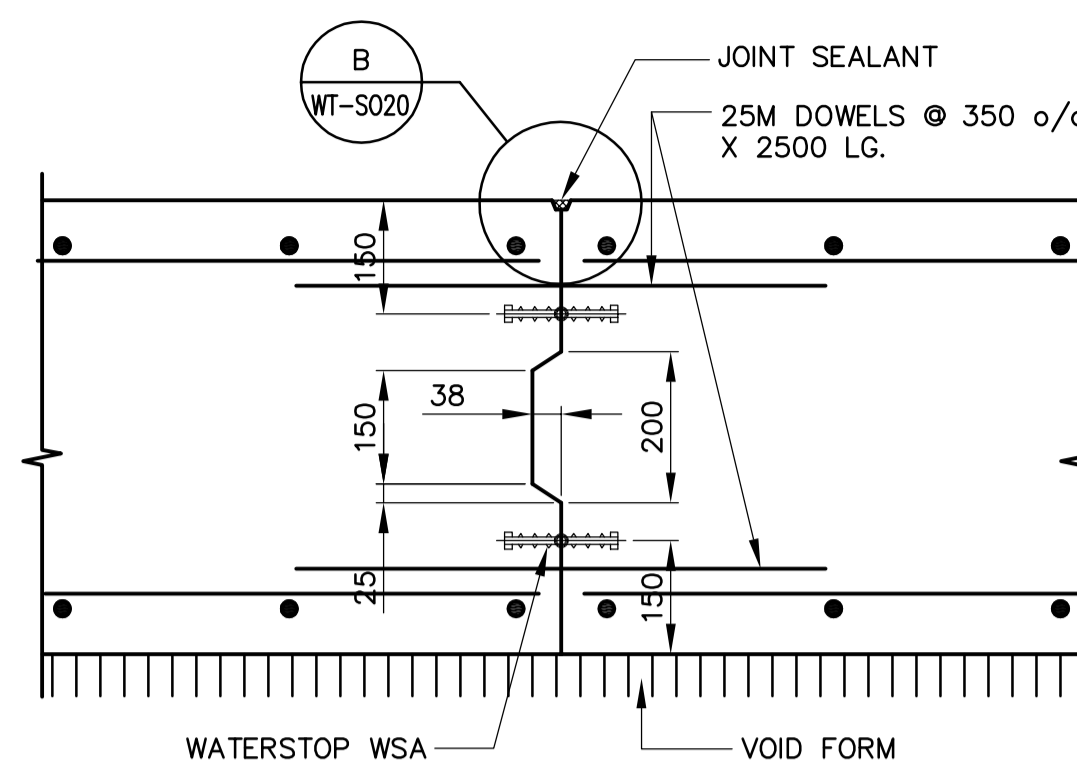


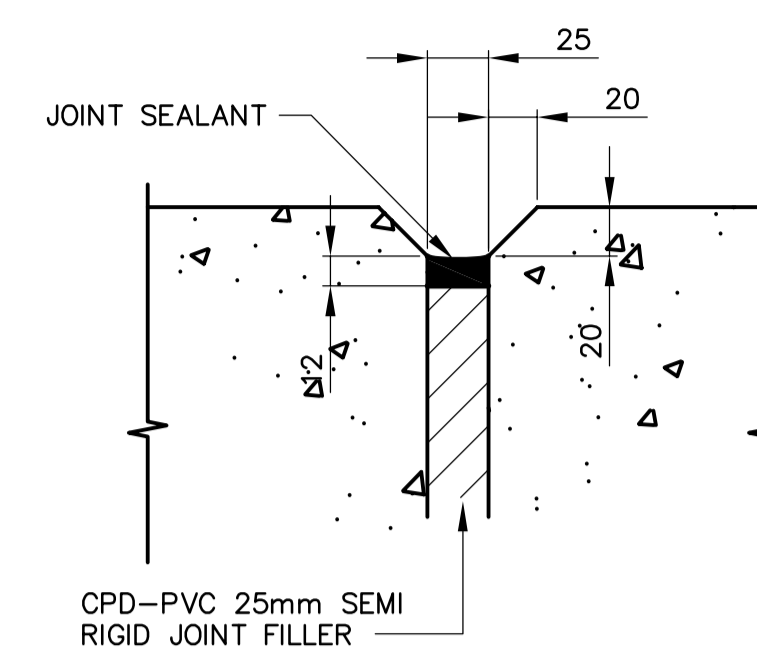
1 WALL EXPANSION JOINT DETAIL  
WT-S020 1:10



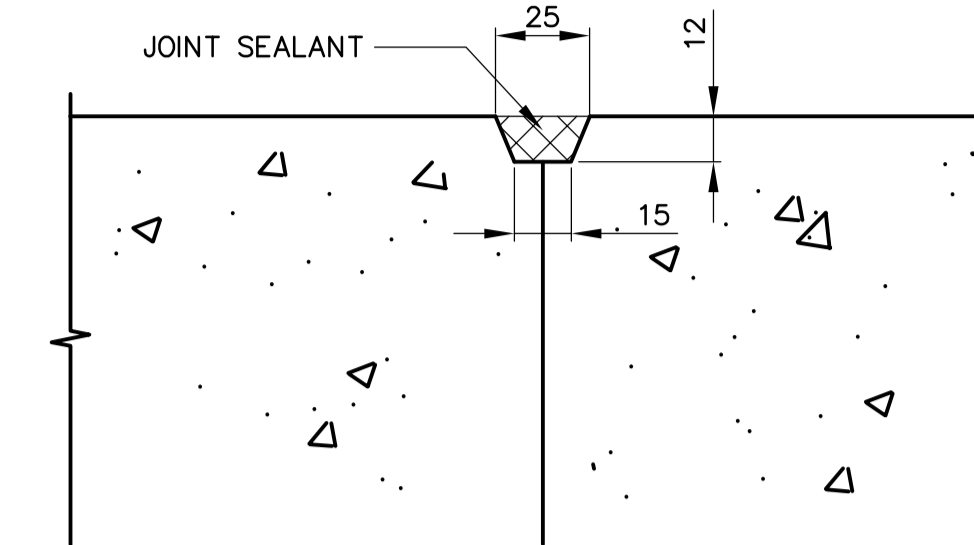
4 WALL CONSTRUCTION JOINT  
WT-S020 1:10



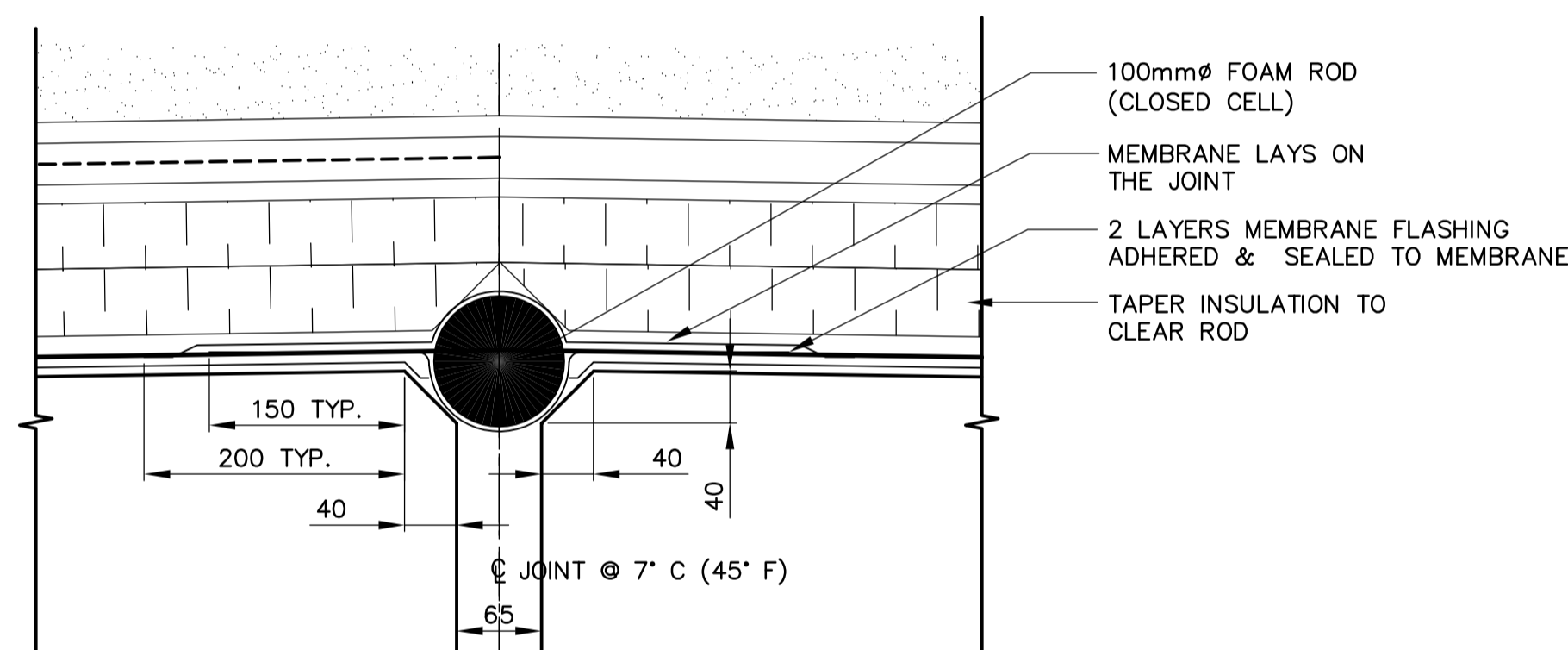
5 FLOOR & FOOTING CONSTRUCTION JOINT  
WT-S020 1:10



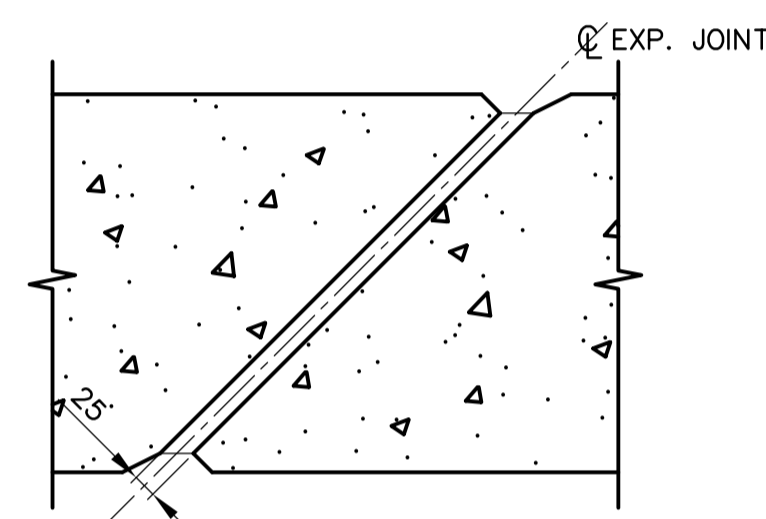
A TYP. EXPANSION JOINT SEAL  
WT-S020 N.T.S.



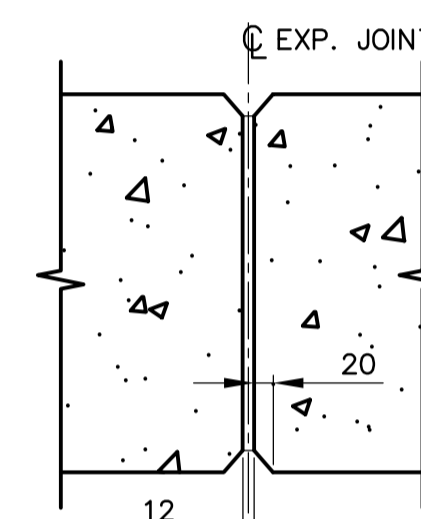
B TYP. CONSTRUCTION JOINT SEAL  
WT-S020 N.T.S.



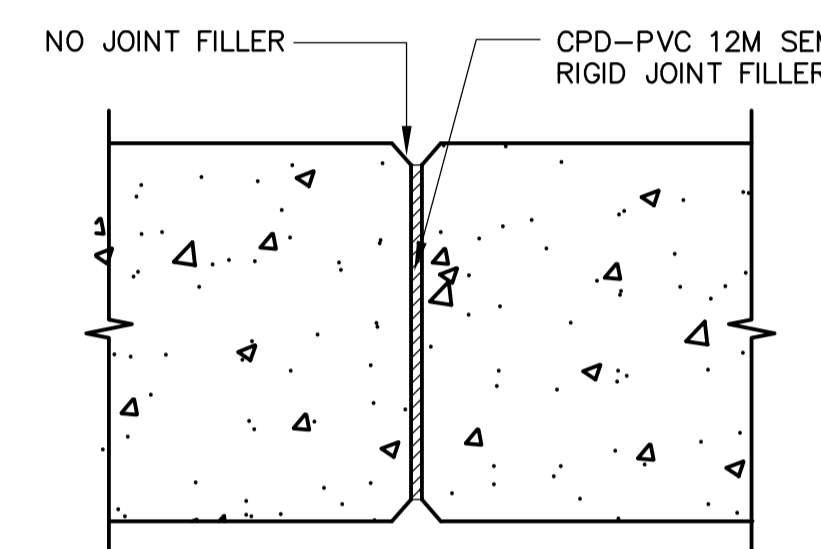
2 ROOF EXPANSION JOINT DETAIL  
WT-S020 1:5



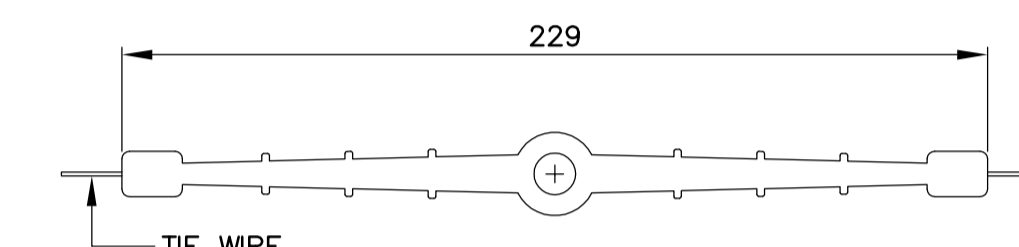
6 BAFFLE WALL @ EXP. JOINT  
WT-S020 N.T.S.



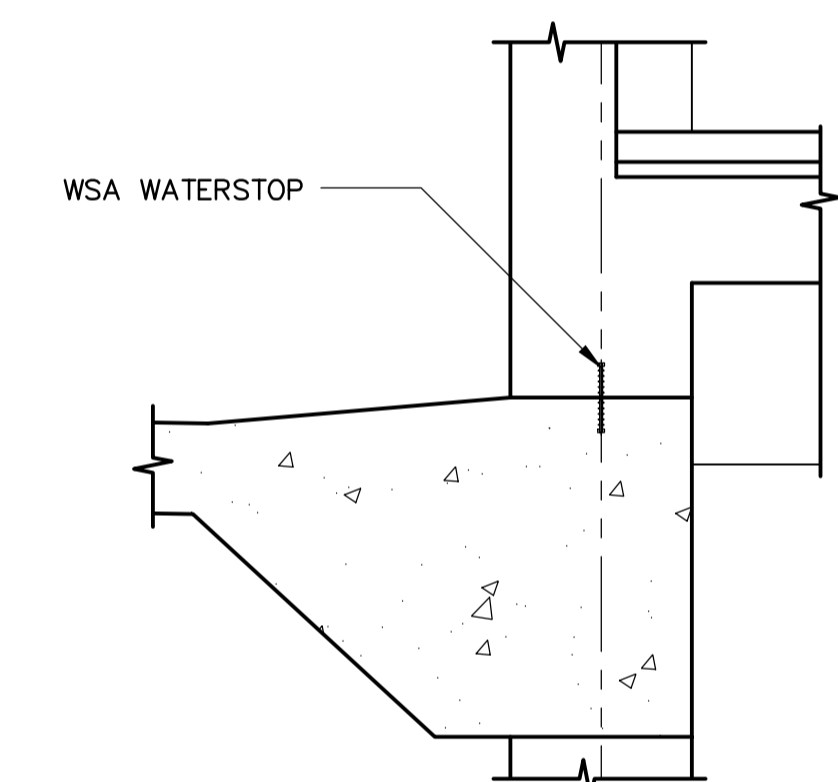
7 BAFFLE WALL @ EXP. JOINT  
WT-S020 N.T.S.



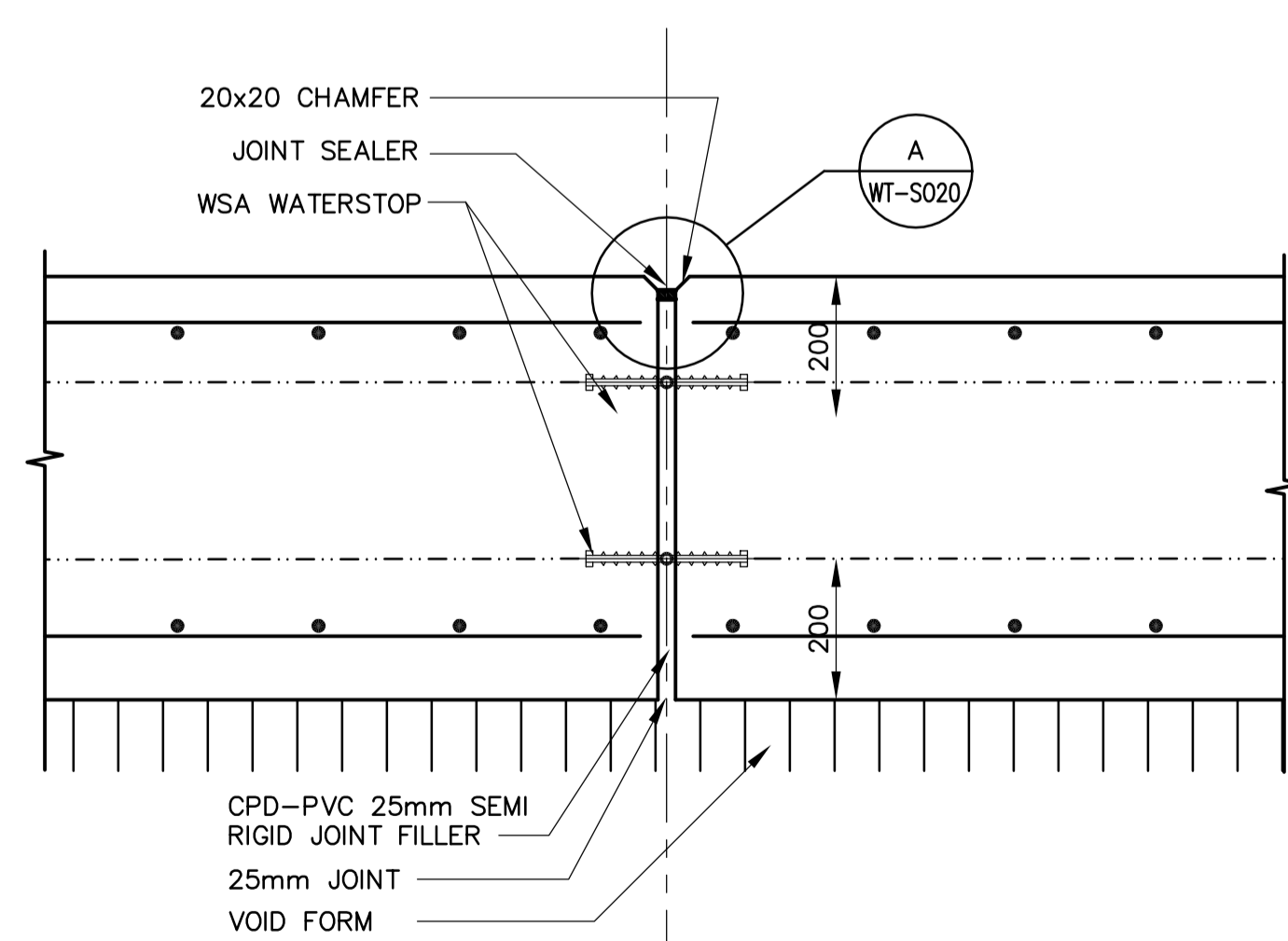
8 BAFFLE WALL CONSTRUCTION JOINT  
WT-S020 N.T.S.



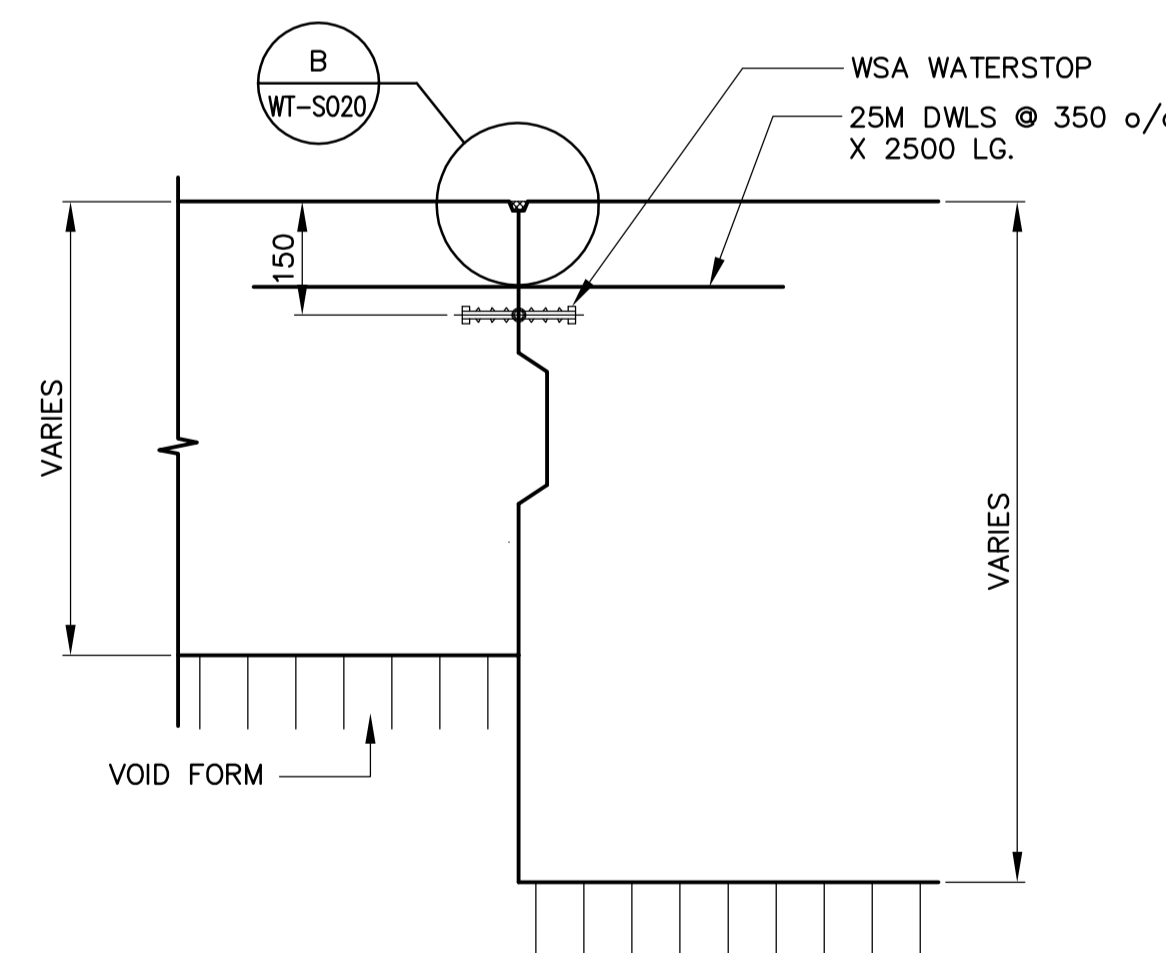
C TYPE WSA  
WT-S020 WIRESTOP CR-9380, OR EQUAL



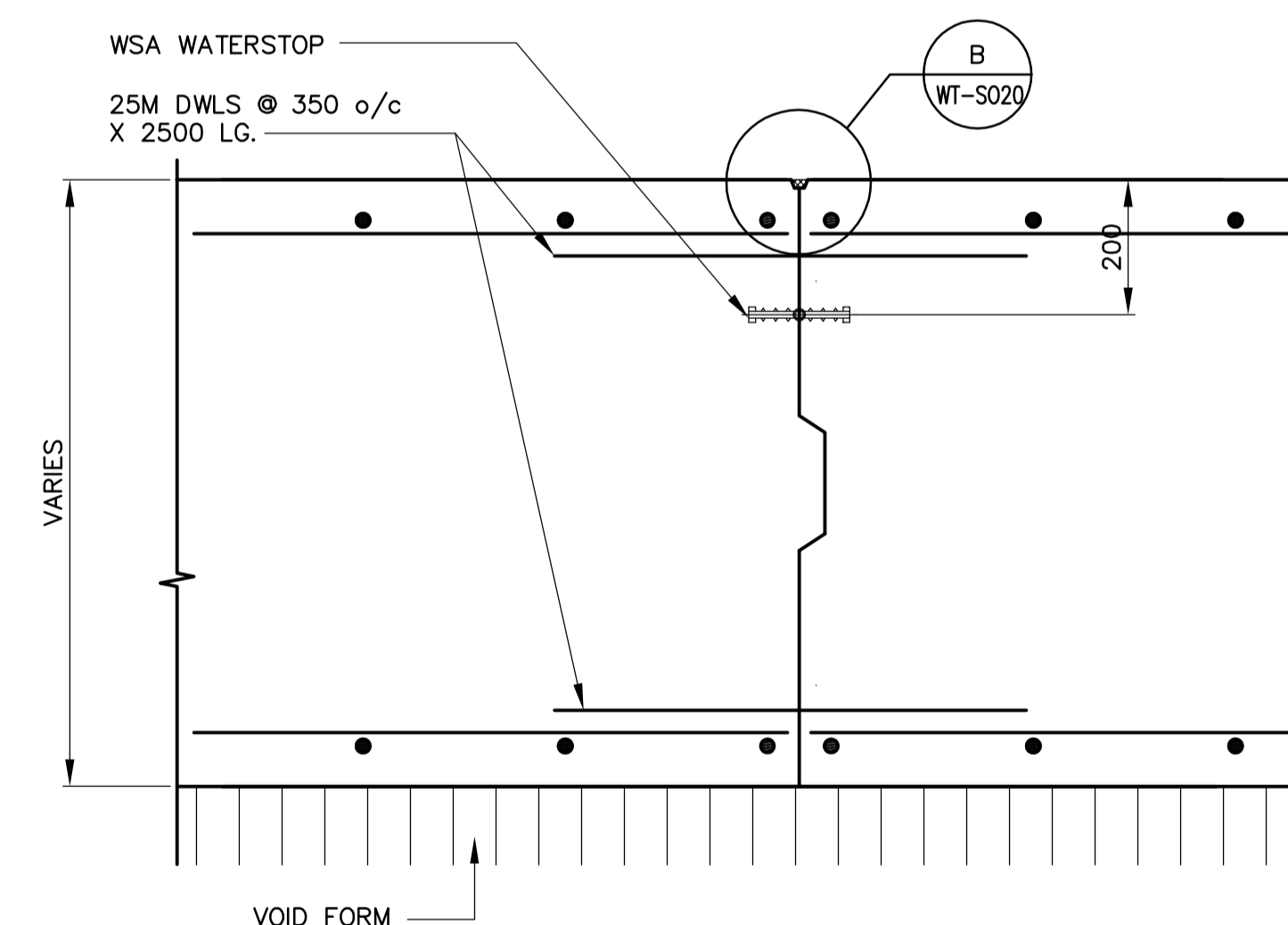
D HORIZONTAL CONSTRUCTION JOINT  
WT-S020 1:25



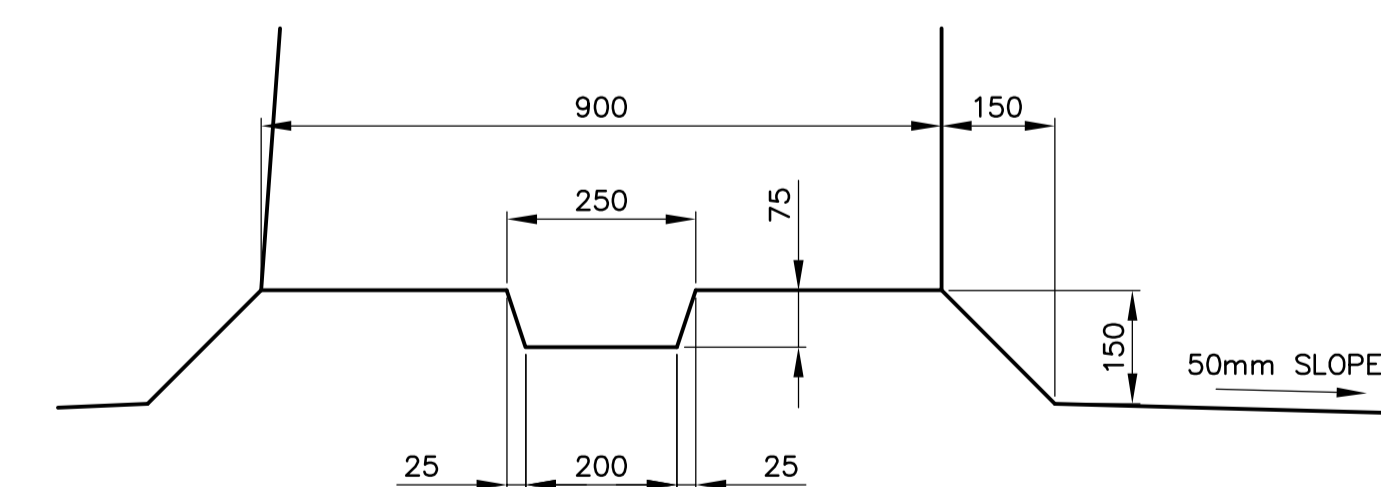
3 FLOOR EXPANSION JOINT DETAIL  
WT-S020 1:10



9 SECTION  
WT-S020 1:10



10 FOOTING TO FOOTING CONSTRUCTION JOINT  
WT-S020 1:10



E SECTION DETAIL  
WT-S020 1:10

**APEGM**  
Certificate of Authorization  
Earth Tech Canada Inc.  
No. 730 Expiry: April 30, 2005

B.M. ELEV.			
DESIGNED BY		CHECKED BY	MK
DRAWN BY	WDB	APPROVED BY	AHL
HOR. SCALE:		RELEASED FOR CONSTRUCTION BY:	R. SOROKOWSKI
NO. REVISIONS		DATE	2005/03/14
		DATE	2005-04-17

**CH2M HILL**  
Frederickson Cooper  
ARCHITECTS

**EarthTech**  
A Tyco International Ltd. Company

ENGINEER'S SEAL  
ORIGINAL SIGNED BY  
F.A. KEMP  
2005/04/17

**THE CITY OF WINNIPEG**  
WATER AND WASTE DEPARTMENT  
ENGINEERING DIVISION

**WATER TREATMENT PLANT  
CLEARWELL CONSTRUCTION**

STRUCTURAL  
EXPANSION AND CONSTRUCTION JOINT DETAILS

CITY FILE NUMBER  
SHEET OF  
CITY DRAWING NUMBER  
1-0601T-A-S0020-001-00D