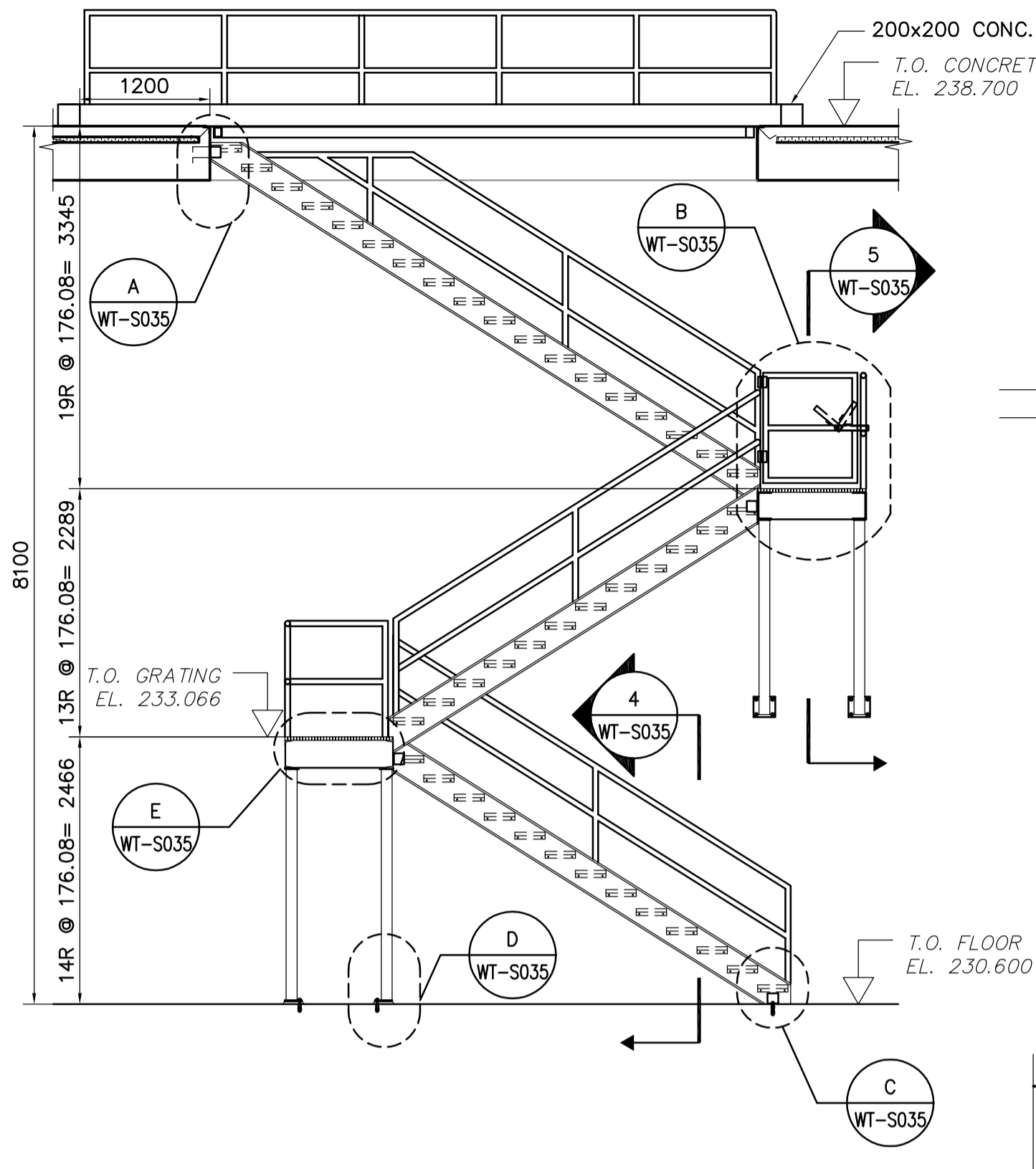
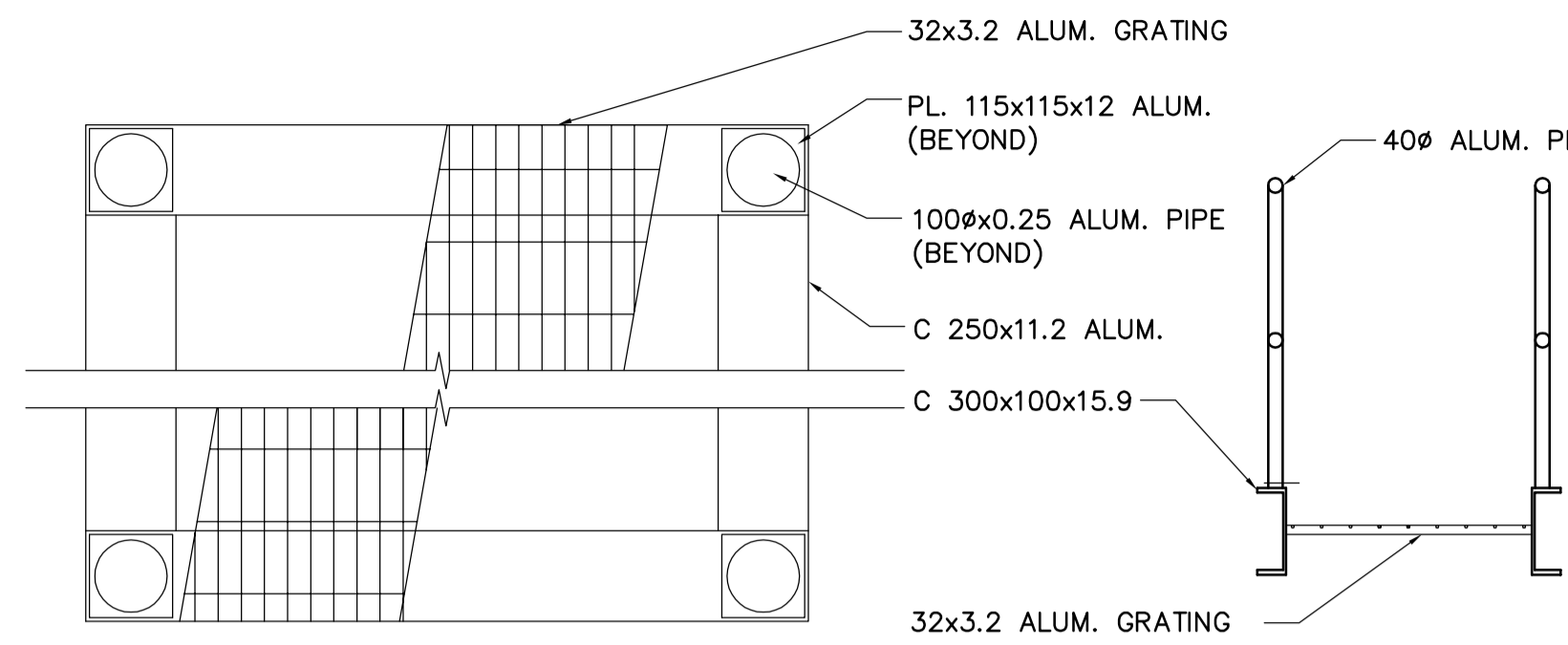


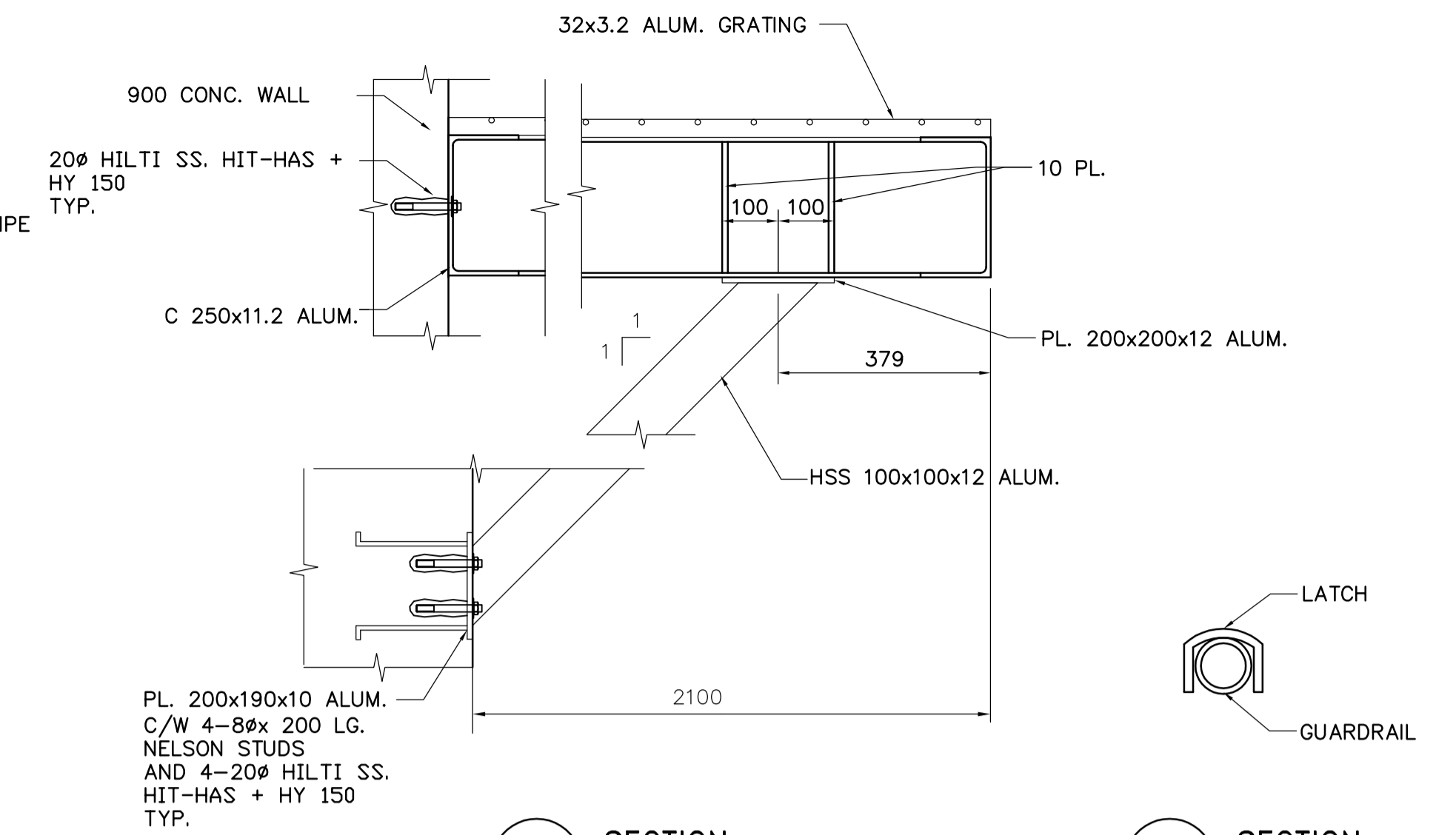
1 ELEVATION
WT-S034 1:50



2 ELEVATION
WT-S034 1:50



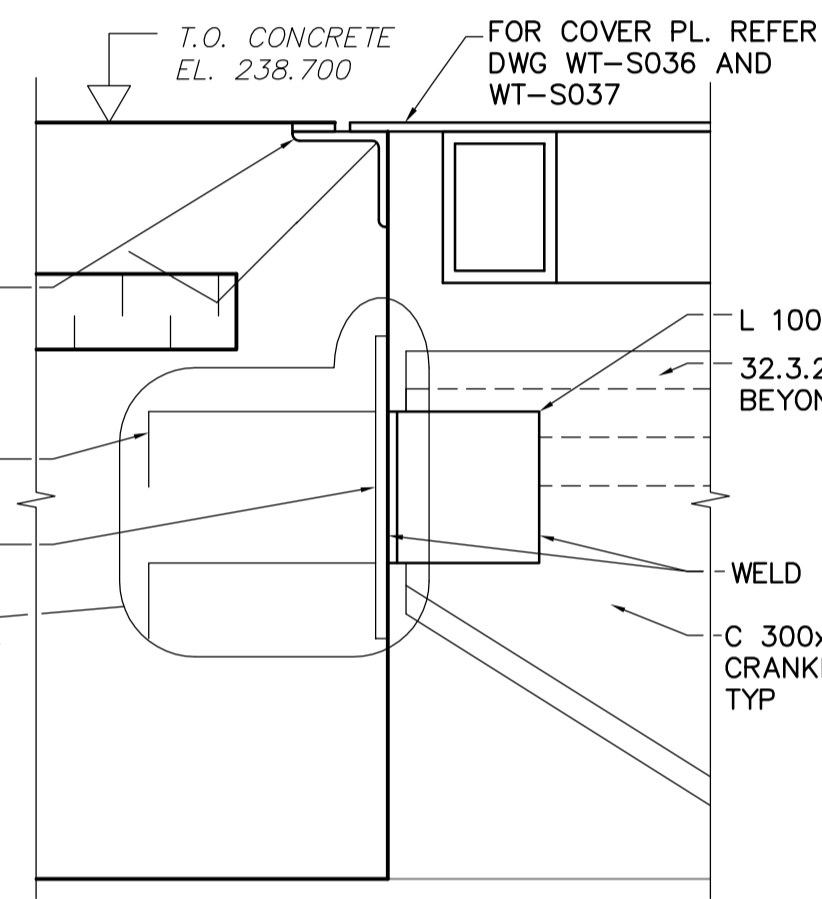
4 SECTION
WT-S035 1:25



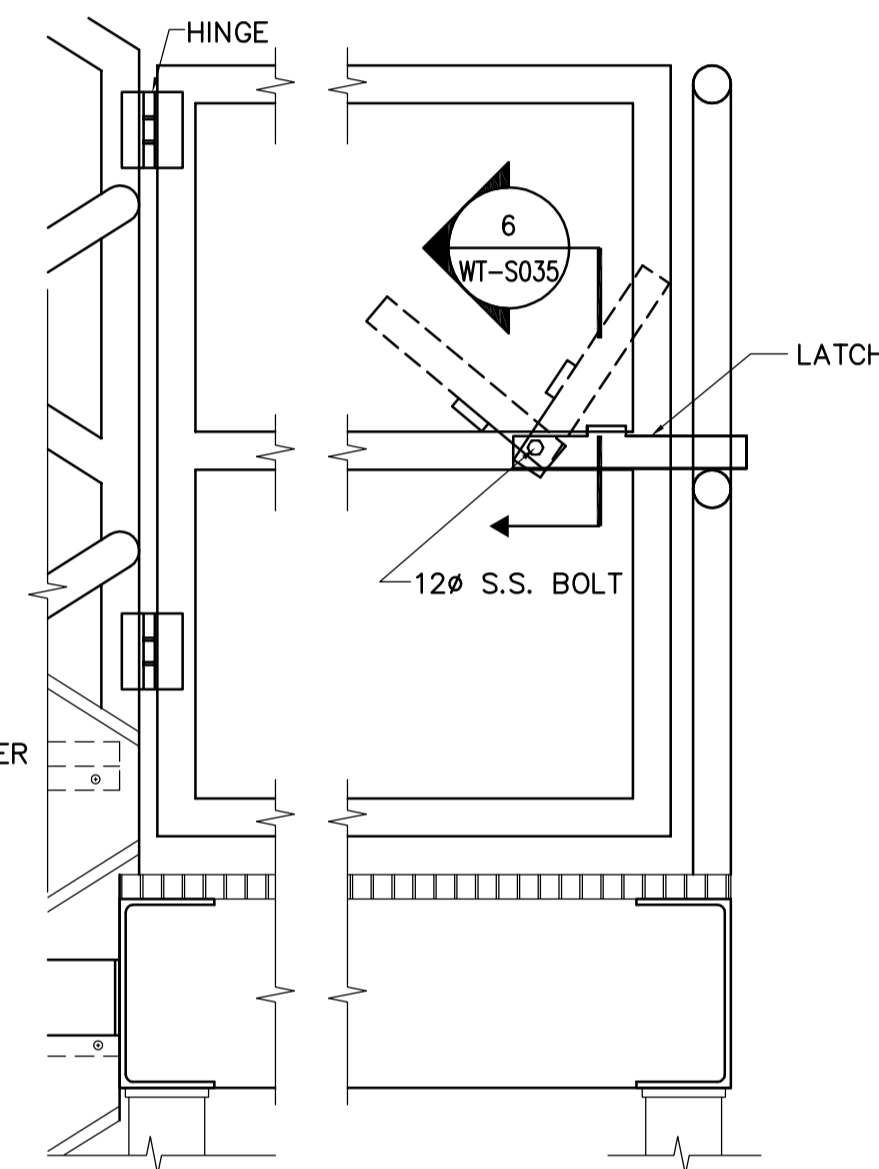
5 SECTION
WT-S035 1:10

6 SECTION
WT-S035 1:5

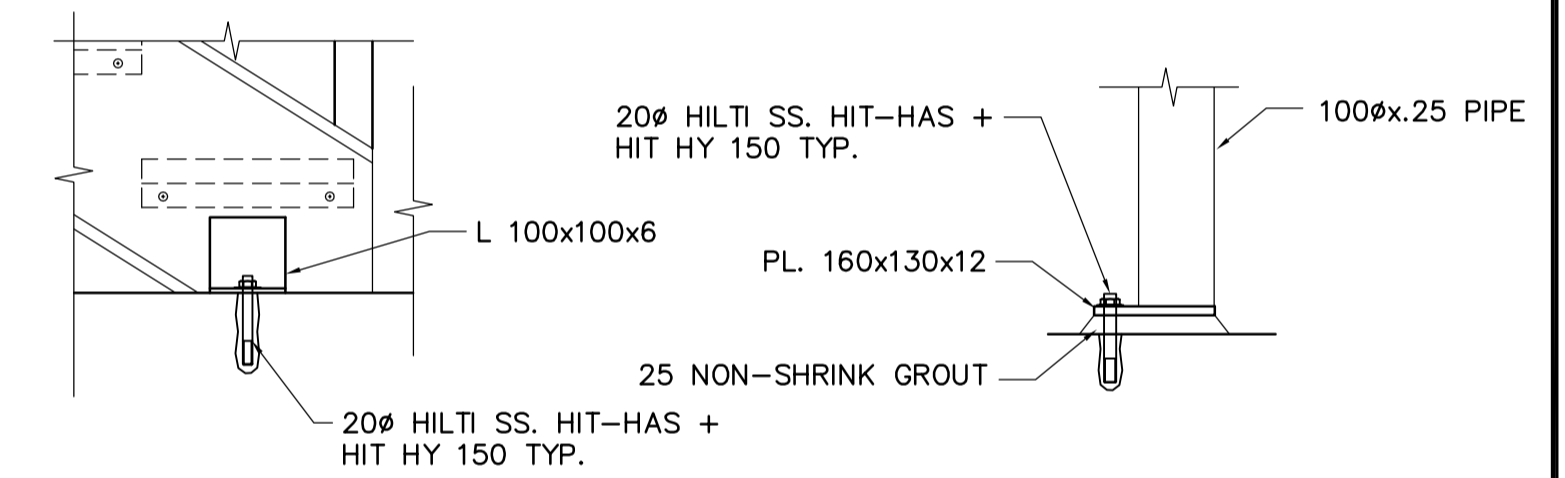
1 PLAN
WT-S034 1:10



A DETAIL
WT-S035 1:10

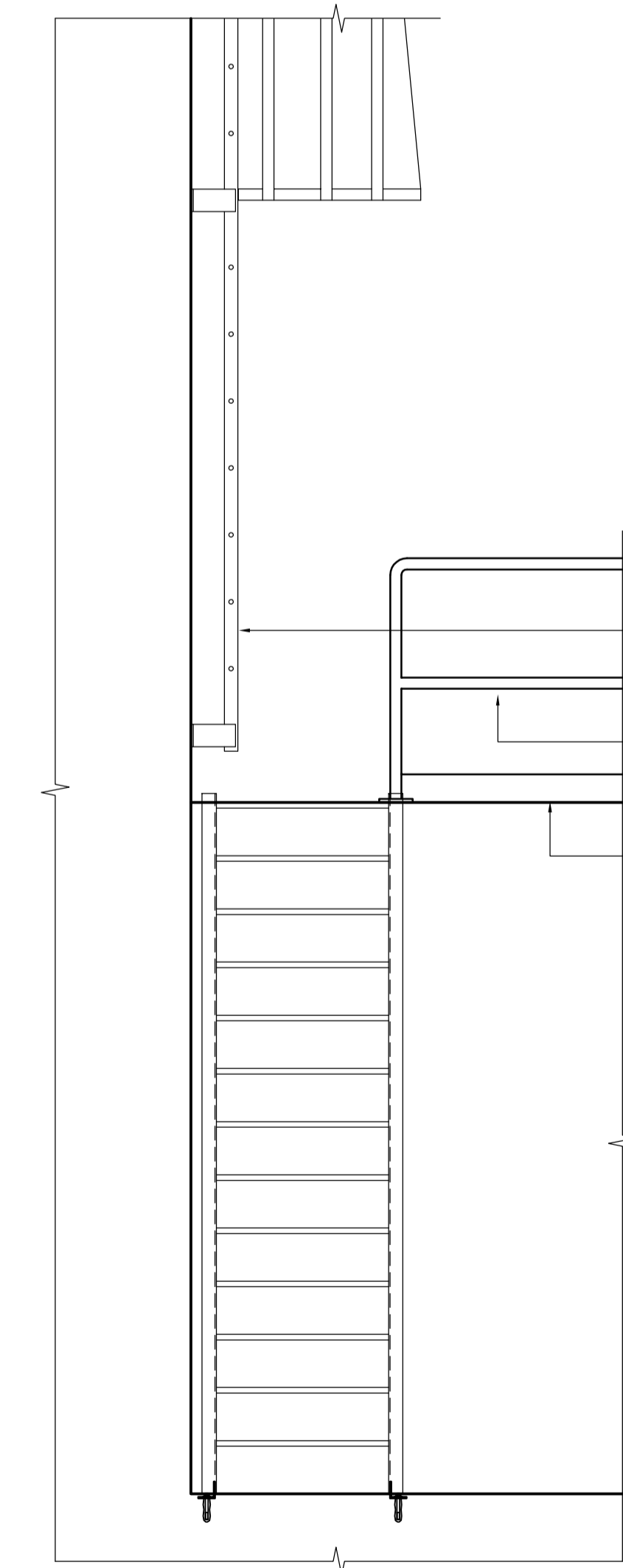


B DETAIL
WT-S035 1:10

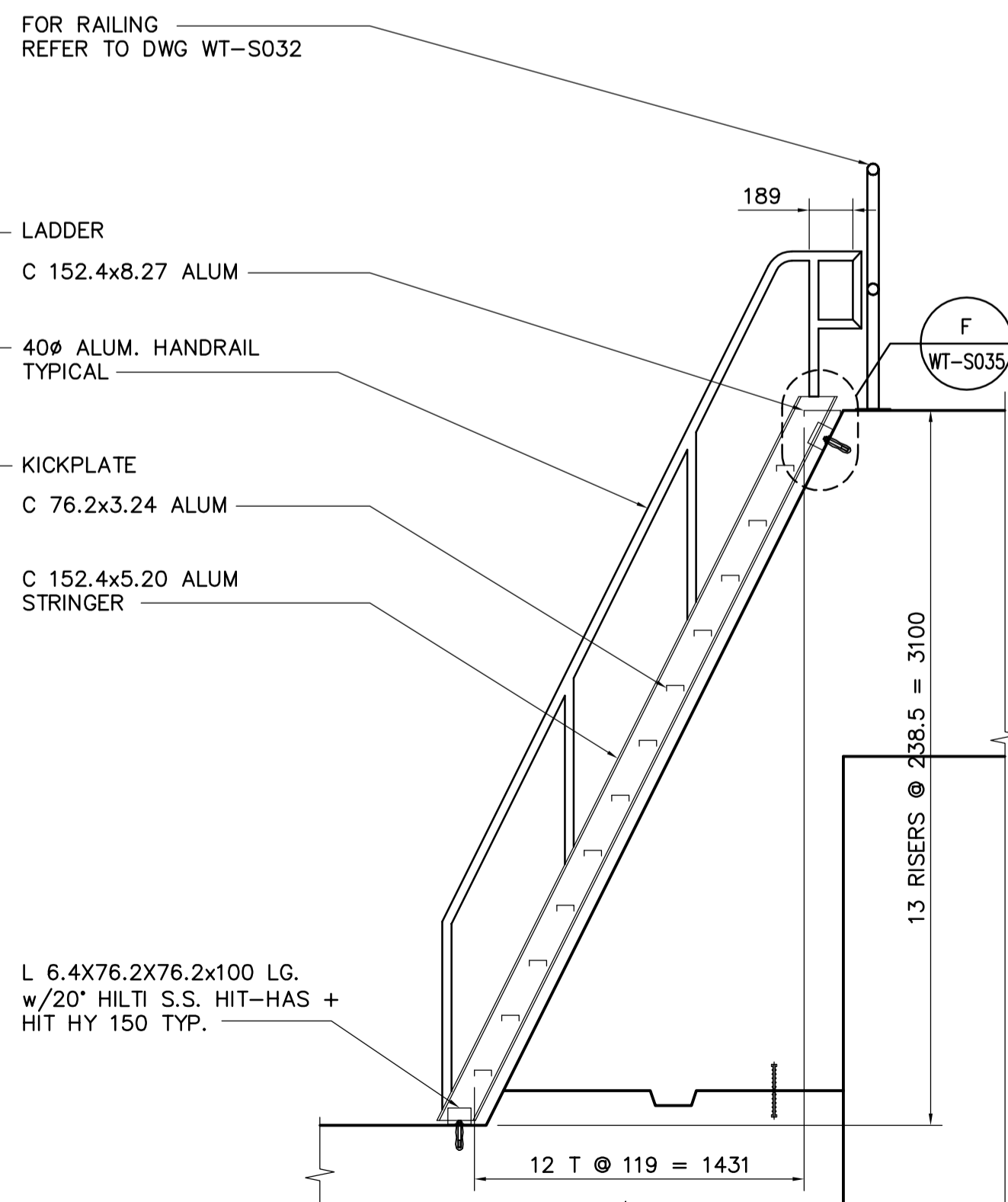


C DETAIL
WT-S035 1:10

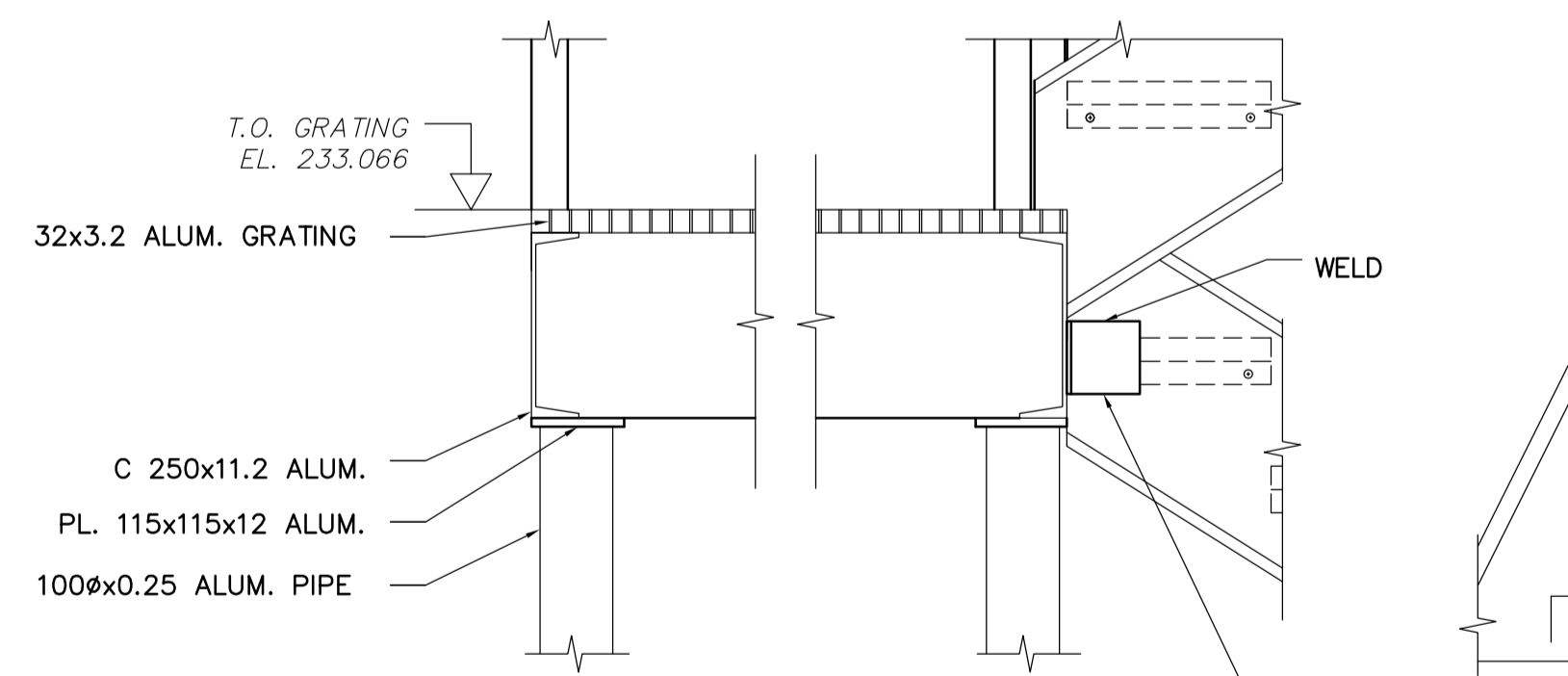
D DETAIL
WT-S035 1:10



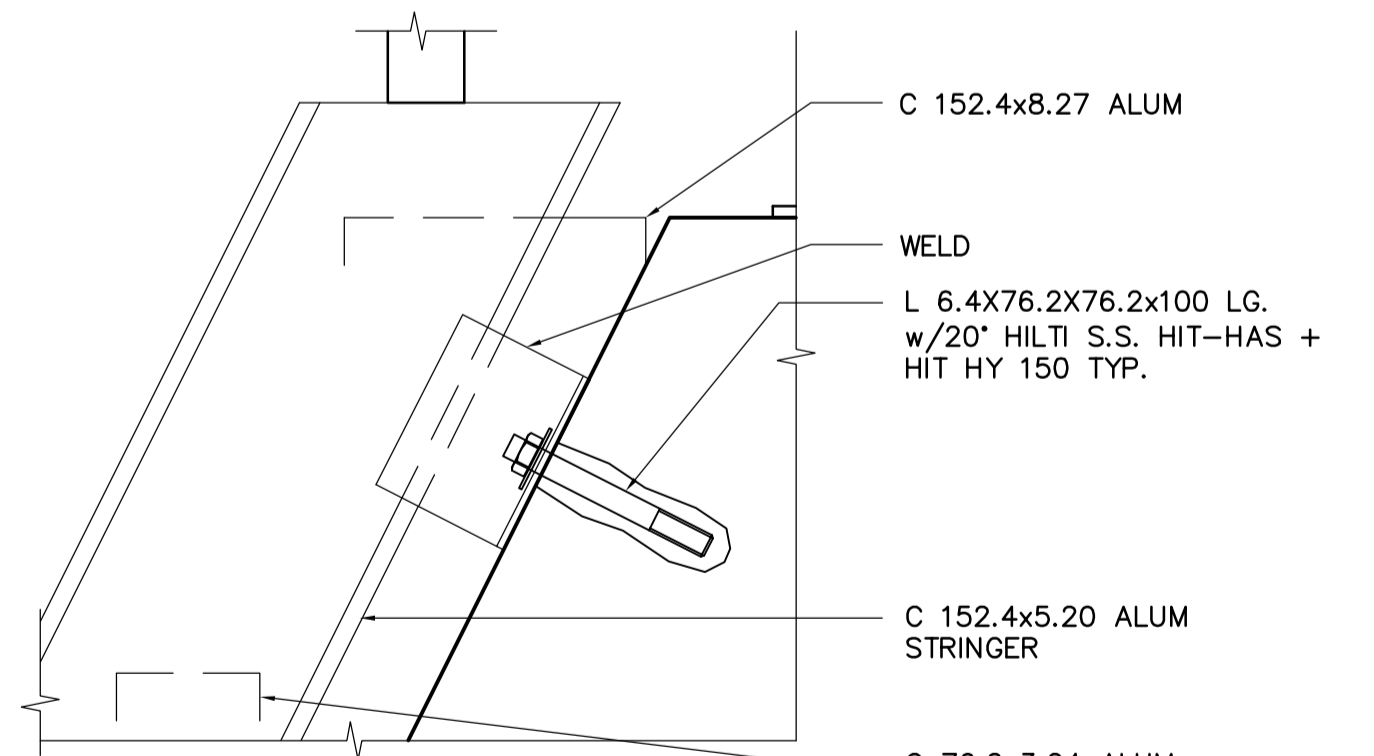
3 ELEVATION
WT-S034 1:25



4 ELEVATION
WT-S034 1:25



E DETAIL
WT-S035 1:10

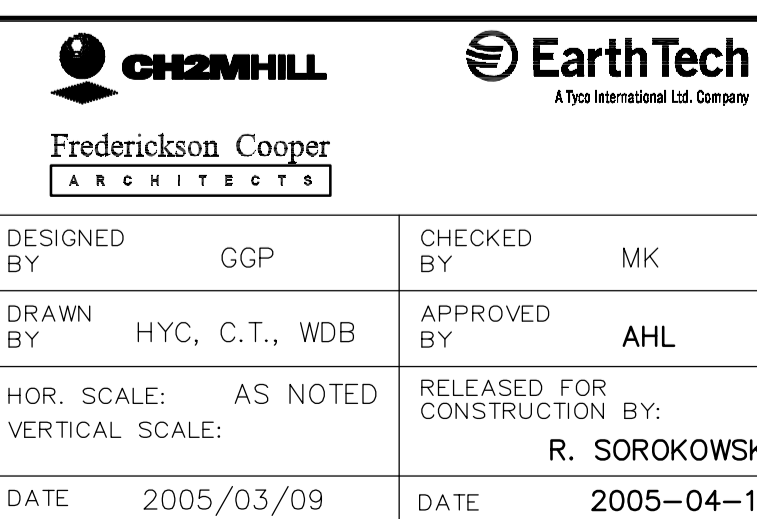


F DETAIL
WT-S035 N.T.S.

- NOTES:
- ALL STRUCTURAL AND MISC. MEMBERS TO BE ALUMINIUM.
 - ALL BOLTS TO BE STAINLESS STEEL.
 - ALL GRATING TO BE ALUMINIUM.



B.M. ELEV.			
DESIGNED BY	GPP	CHECKED BY	MK
DRAWN BY	HYC, C.T., WDB	APPROVED BY	AHL
HOR. SCALE:	AS NOTED	RELEASED FOR CONSTRUCTION BY:	R. SOROKOWSKI
VERTICAL SCALE:		DATE	2005-04-17
ISSUED FOR TENDER	05/04/17	DATE	2005/03/09
NO. REVISIONS		DATE	



ENGINEER'S SEAL
ORIGINAL SIGNED BY
R.B. ERIC
2005/04/17
CONSULTANT DRAWING NO.
WT-S035

THE CITY OF WINNIPEG
WATER AND WASTE DEPARTMENT
ENGINEERING DIVISION
Winnipeg

WATER TREATMENT PLANT
CLEARWELL CONSTRUCTION

STRUCTURAL
STAIRS SECTIONS AND DETAILS

CITY FILE NUMBER
SHEET OF
CITY DRAWING NUMBER
1-0601T-A-S0035-001-00D