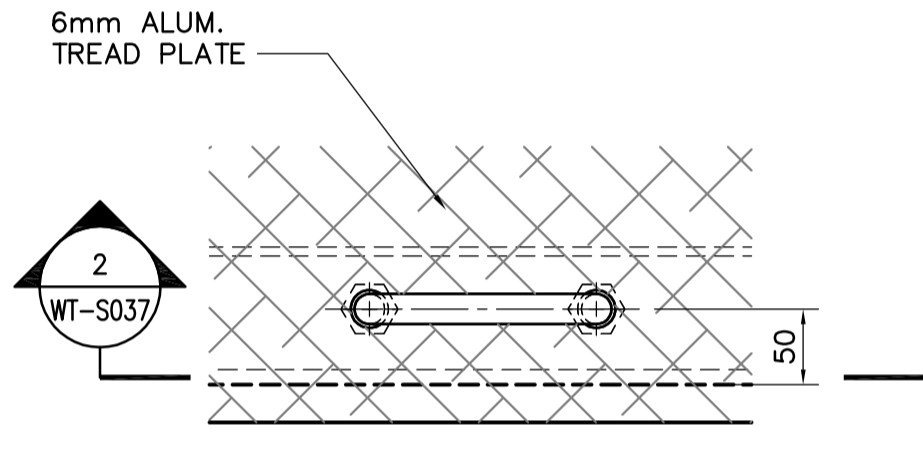
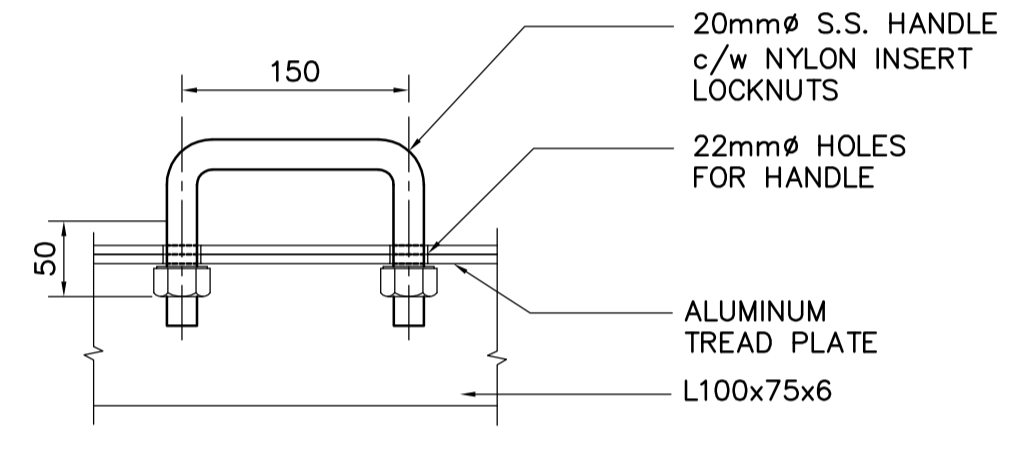


1 SECTION
WT-S036 1:10

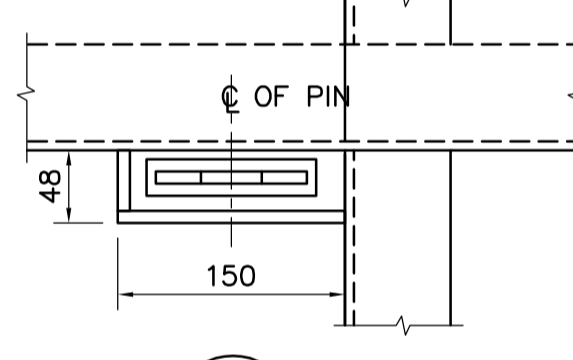
2 SECTION
WT-S036 1:10



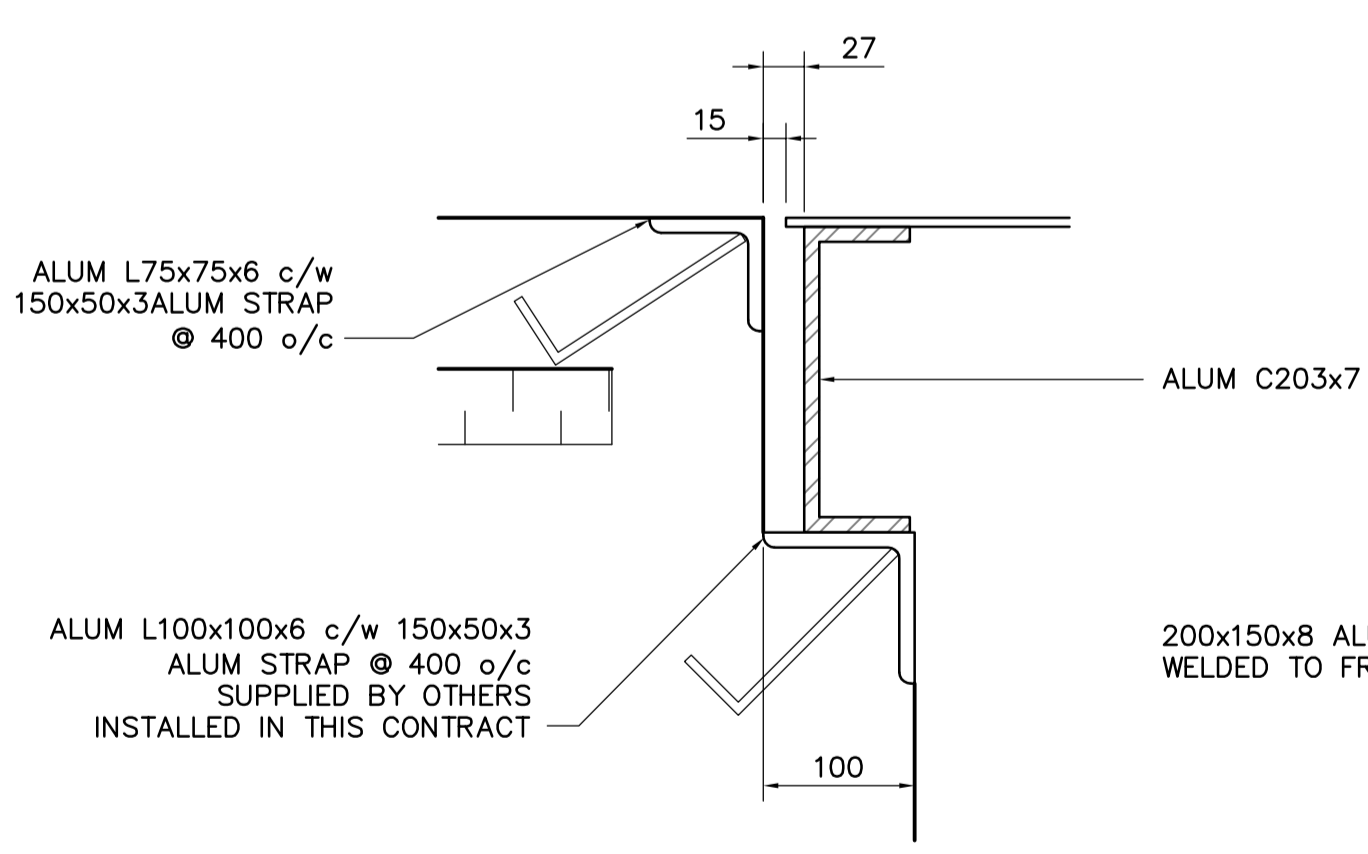
A DETAIL
WT-S036 1:5



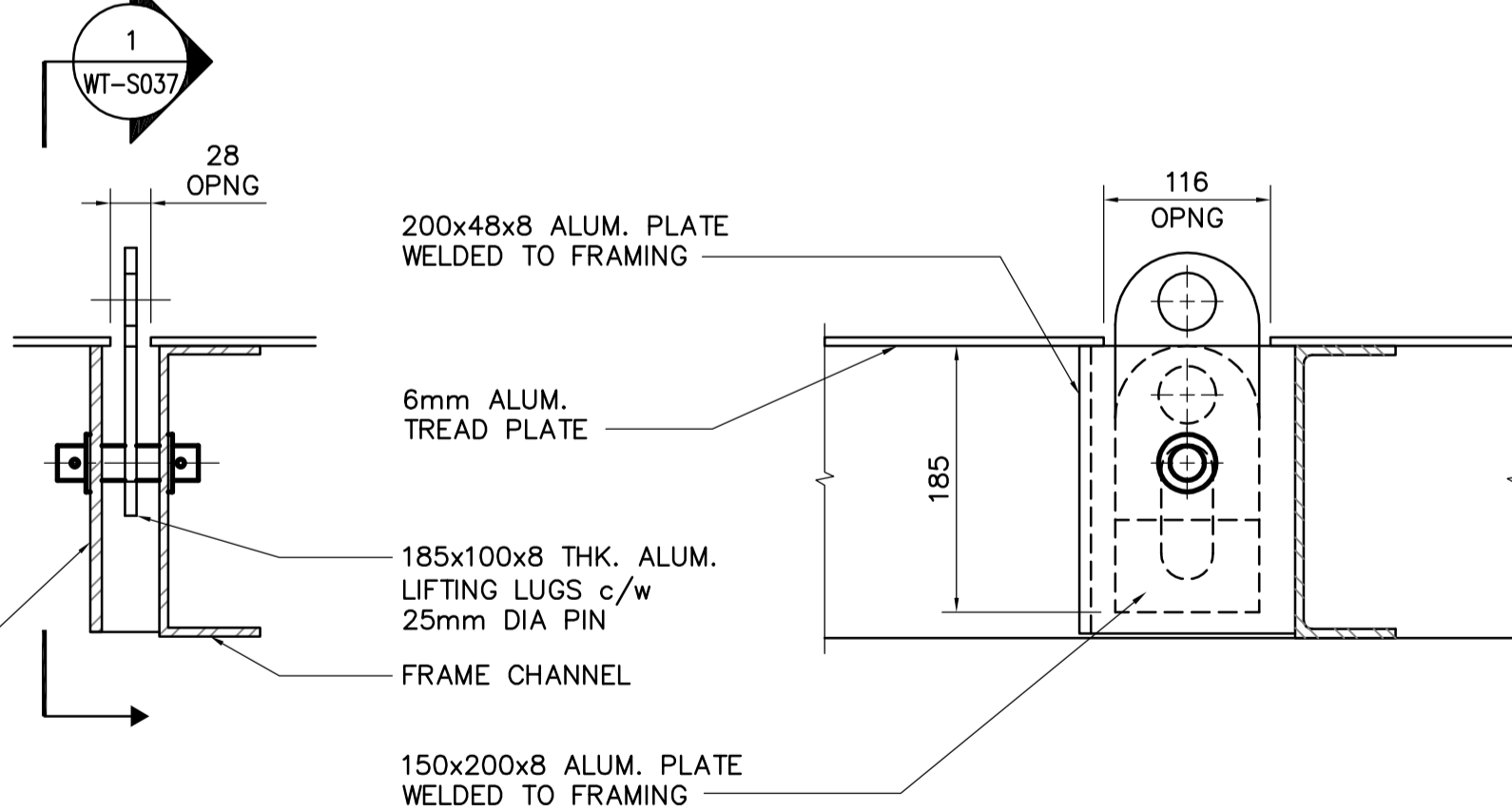
2 SECTION
WT-S037 1:5



B DETAIL
WT-S036 1:5

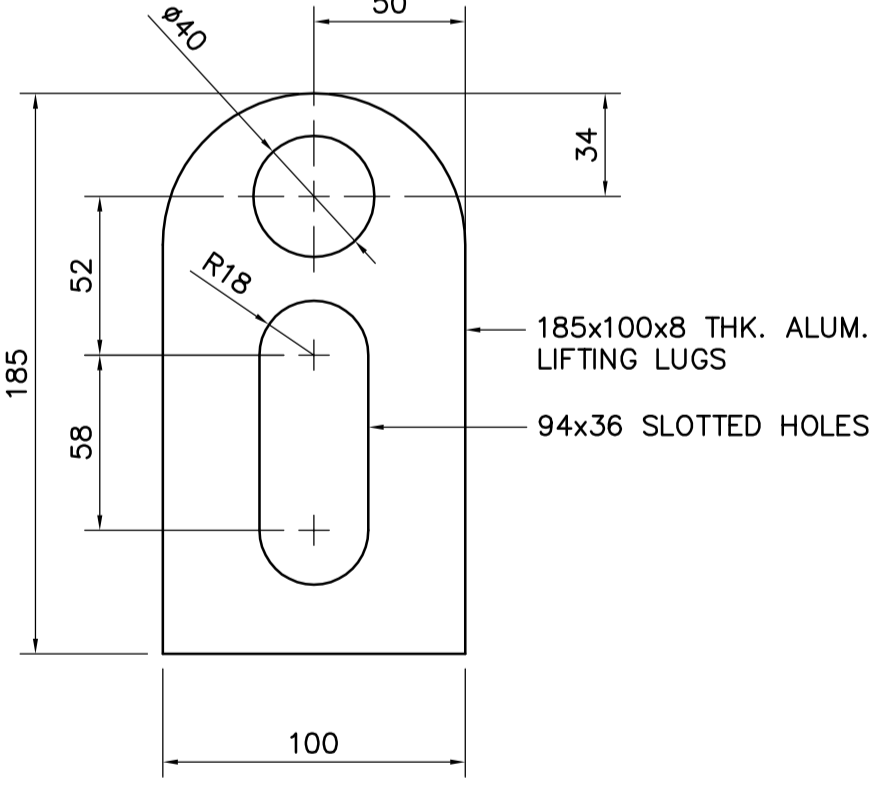


A DETAIL
WT-S037 1:5



B DETAIL
WT-S037 1:5

1 SECTION
WT-S037 1:5



LIFTING LUG DETAIL
1:25

FOR INFORMATION ONLY - NOT IN CONTRACT
(EXCEPT AS NOTED)

APECA
Certificate of Authorization
Earth Tech Canada Inc.
No. 730 Expiry: April 30, 2005

B.M. ELEV.	NO.	ISSUED FOR TENDER	DATE	BY
	00	ISSUED FOR TENDER	05/04/17	GPP
		NO. REVISIONS		

DESIGNED BY	DRAWN BY	HOR. SCALE:	VERTICAL SCALE:
GPP	C.T. / WDB		
DATE	DATE	DATE	DATE
2005/03/25	2005/03/25	2005-04-17	2005-04-17

ENGINEER'S SEAL
ORIGINAL SIGNED BY
R.B. ERIC
2005/04/17
CONSULTANT DRAWING NO.
WT-S037

THE CITY OF WINNIPEG
WATER AND WASTE DEPARTMENT
ENGINEERING DIVISION

WATER TREATMENT PLANT
CLEARWELL CONSTRUCTION

STRUCTURAL
INLET AND OUTLET BUILDINGS
COVERS SECTIONS AND DETAILS

CITY FILE NUMBER
SHEET OF
CITY DRAWING NUMBER
1-0601T-A-S0037-001-00D