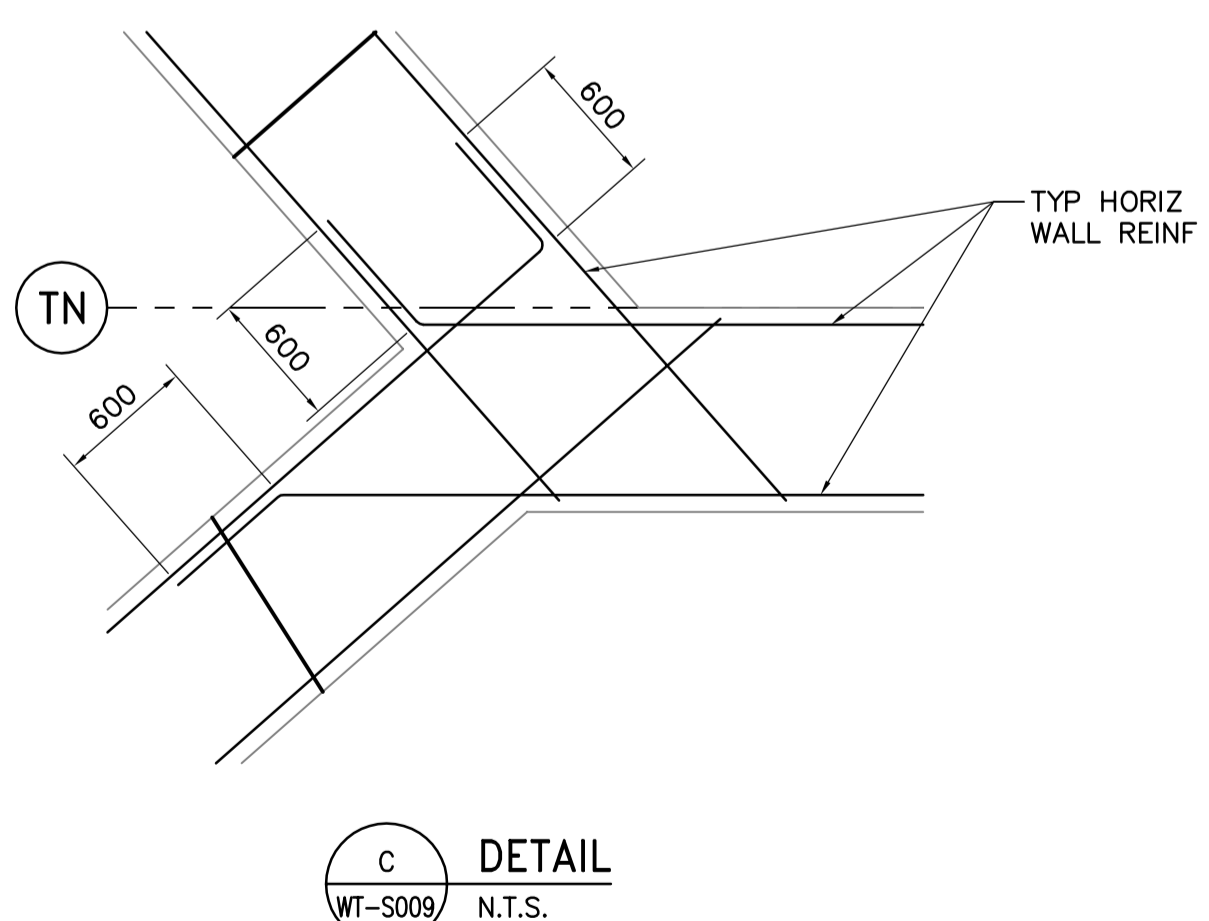
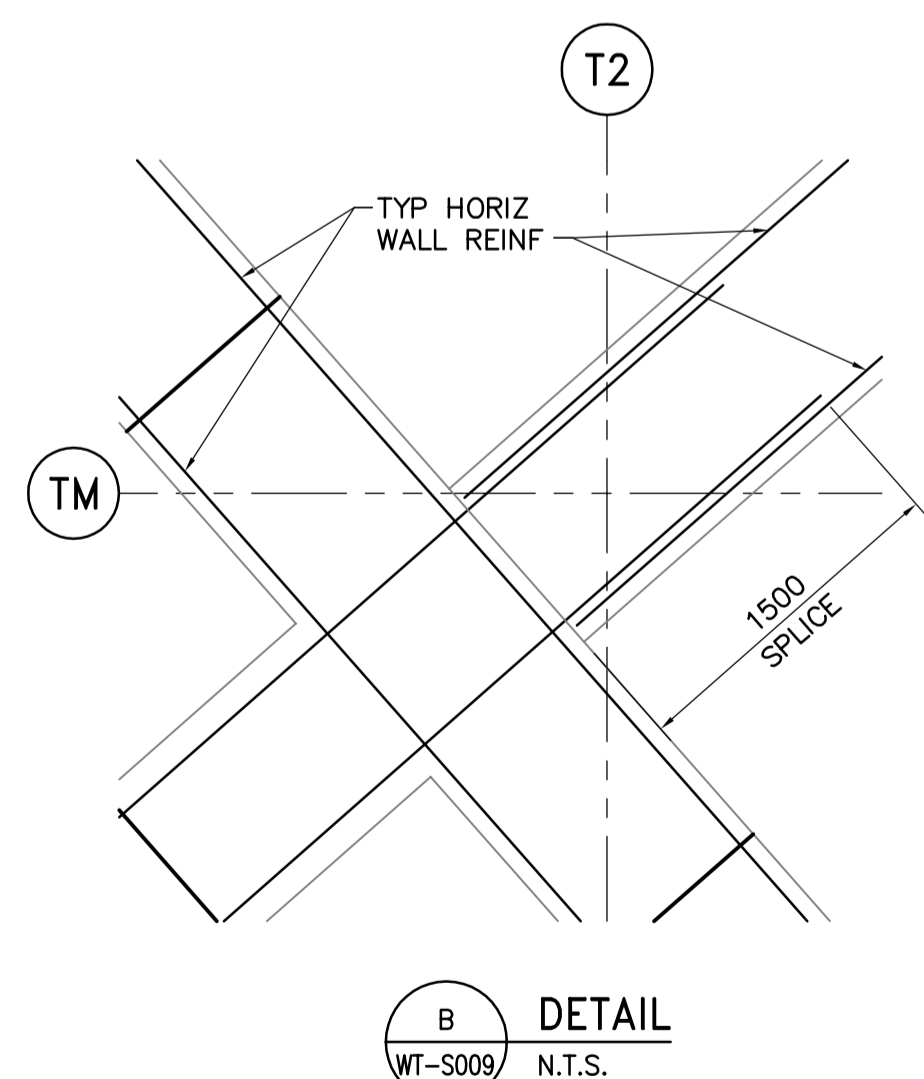
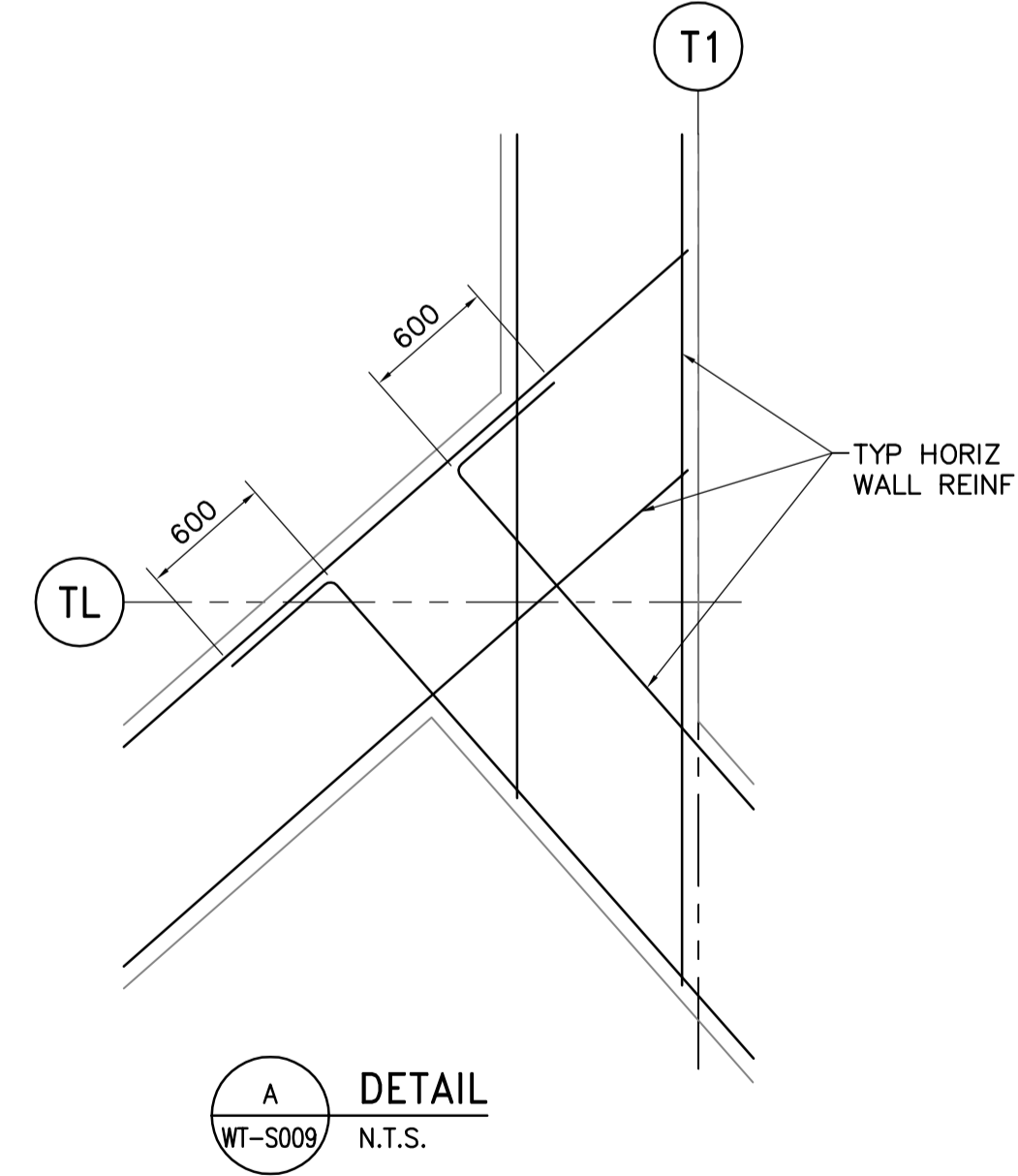


**FOUNDATION SLAB REINFORCING PLAN**  
1:150



- DRAWING NOTES:**
1. REFER TO DRAWING WT-S001 FOR GENERAL NOTES.
  2. REFER TO DRAWING WT-S002 FOR GRID LINE DIMENSIONS.
  3. REFER TO DRAWING WT-S020 FOR EXPANSION AND CONSTRUCTION JOINT DETAILS.

**APEGM**  
Certificate of Authorization  
Earth Tech Canada Inc.  
No. 730 Expiry: April 30, 2005

B.M. ELEV.					
DESIGNED BY	FK	CHECKED BY	MK		
DRAWN BY	C.T.	APPROVED BY	AHL		
HOR. SCALE:	AS NOTED	RELEASED FOR CONSTRUCTION BY:	R. SOROKOWSKI		
NO. REVISIONS		DATE	2005/03/09	DATE	2005-04-17

ENGINEER'S SEAL  
ORIGINAL SIGNED BY  
R.B. ERIC  
2005/04/17  
CONSULTANT DRAWING NO.  
WT-S009

**THE CITY OF WINNIPEG**  
WATER AND WASTE DEPARTMENT  
ENGINEERING DIVISION

**WATER TREATMENT PLANT**  
**CLEARWELL CONSTRUCTION**

STRUCTURAL  
FOUNDATION SLAB REINFORCING PLAN

CITY FILE NUMBER  
SHEET OF  
CITY DRAWING NUMBER  
1-0601T-B-S0009-001-00D