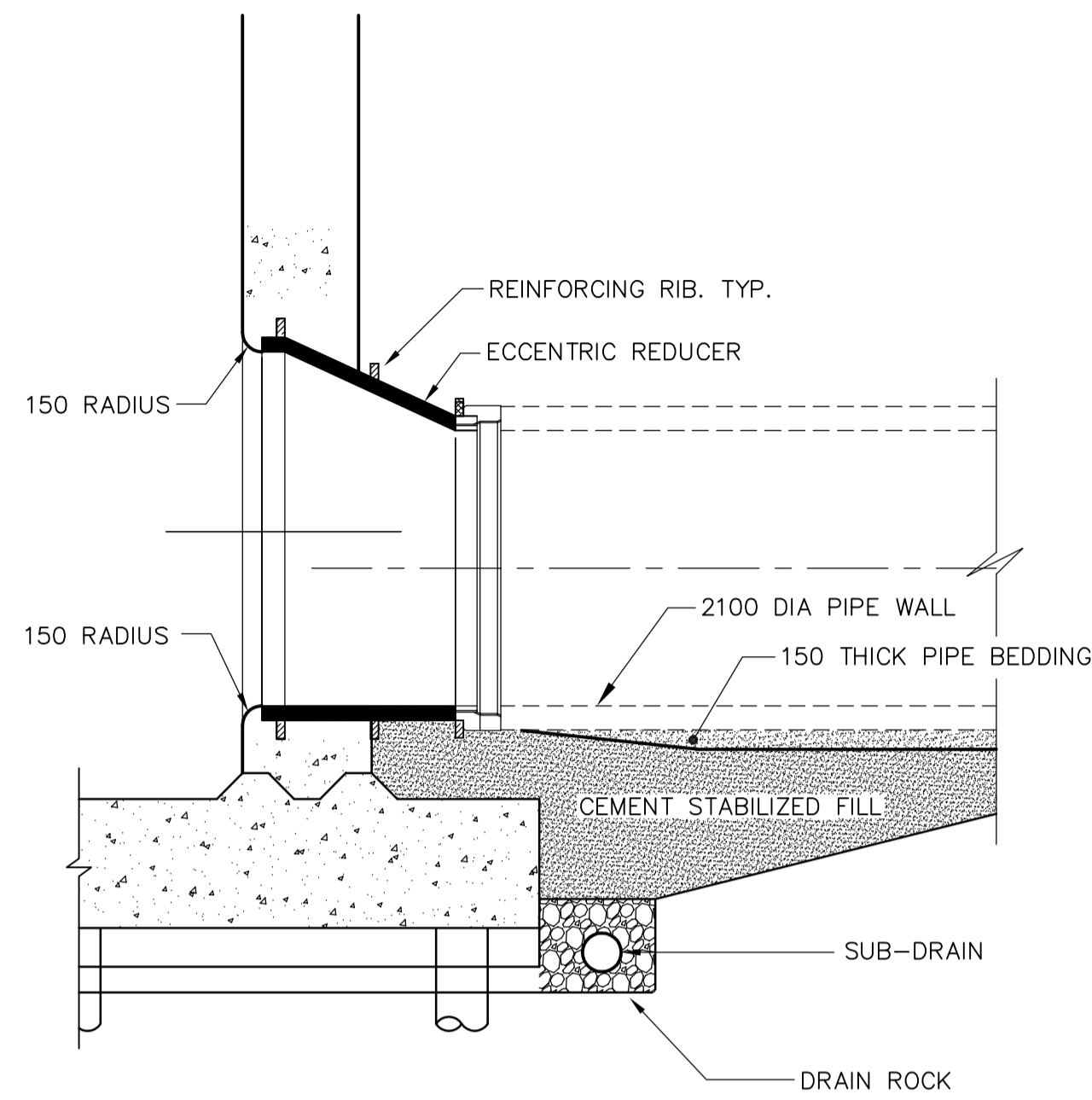
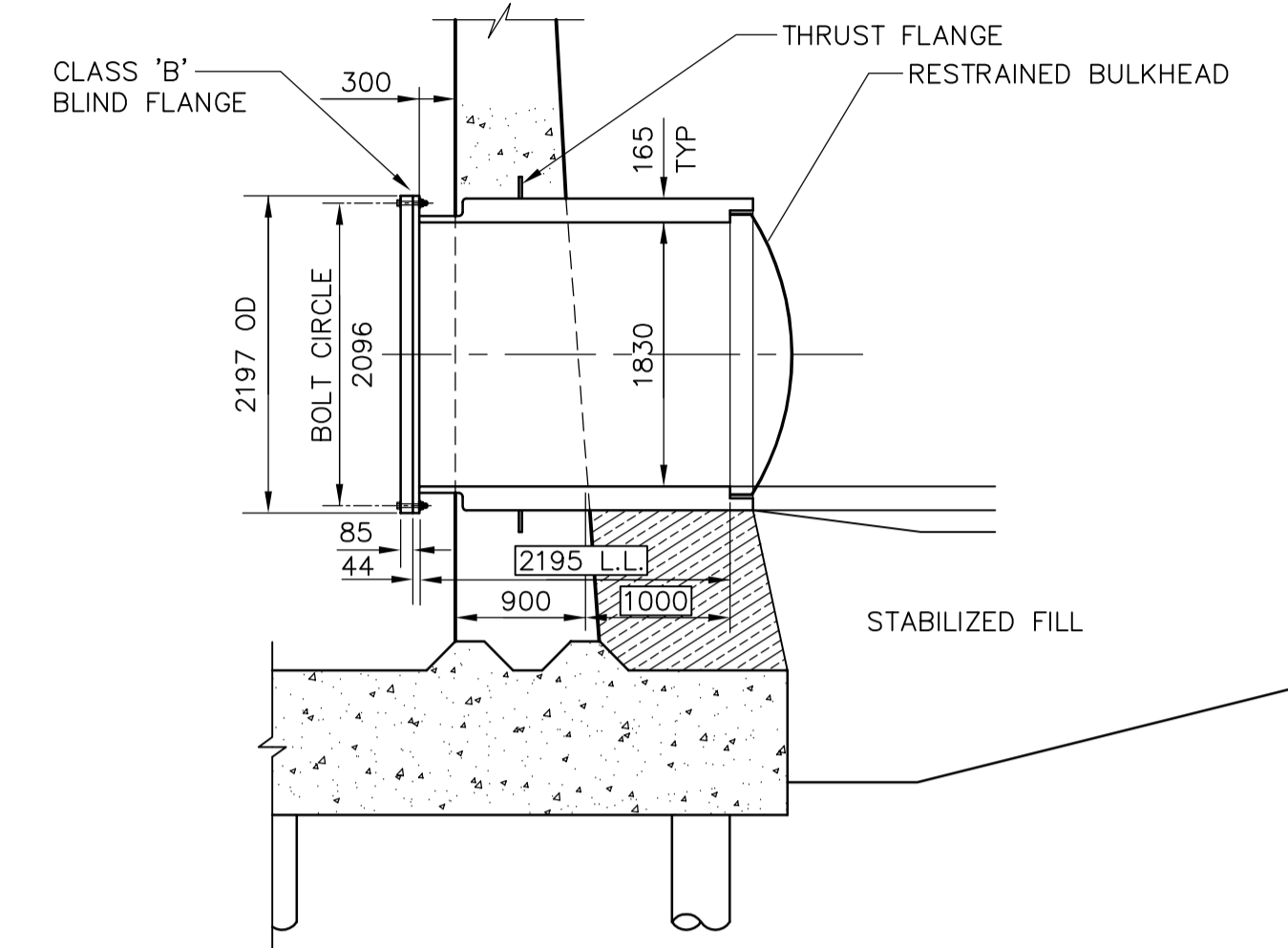


SIZE	DIMENSIONS						
	A	B	C	D	E	F	G
2743x2743 (108")	3086	1543	2896	4356	4813	483	241

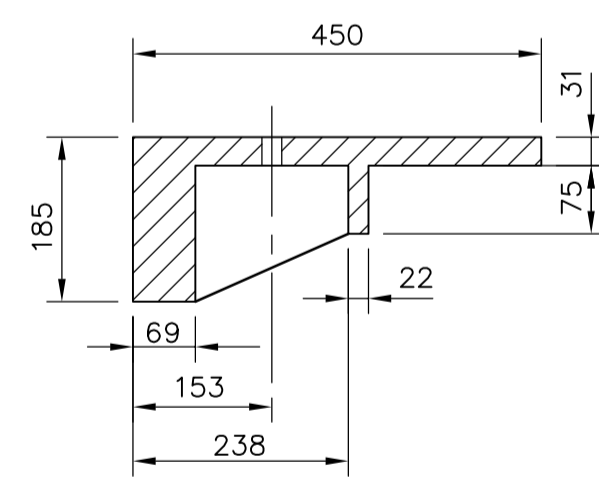
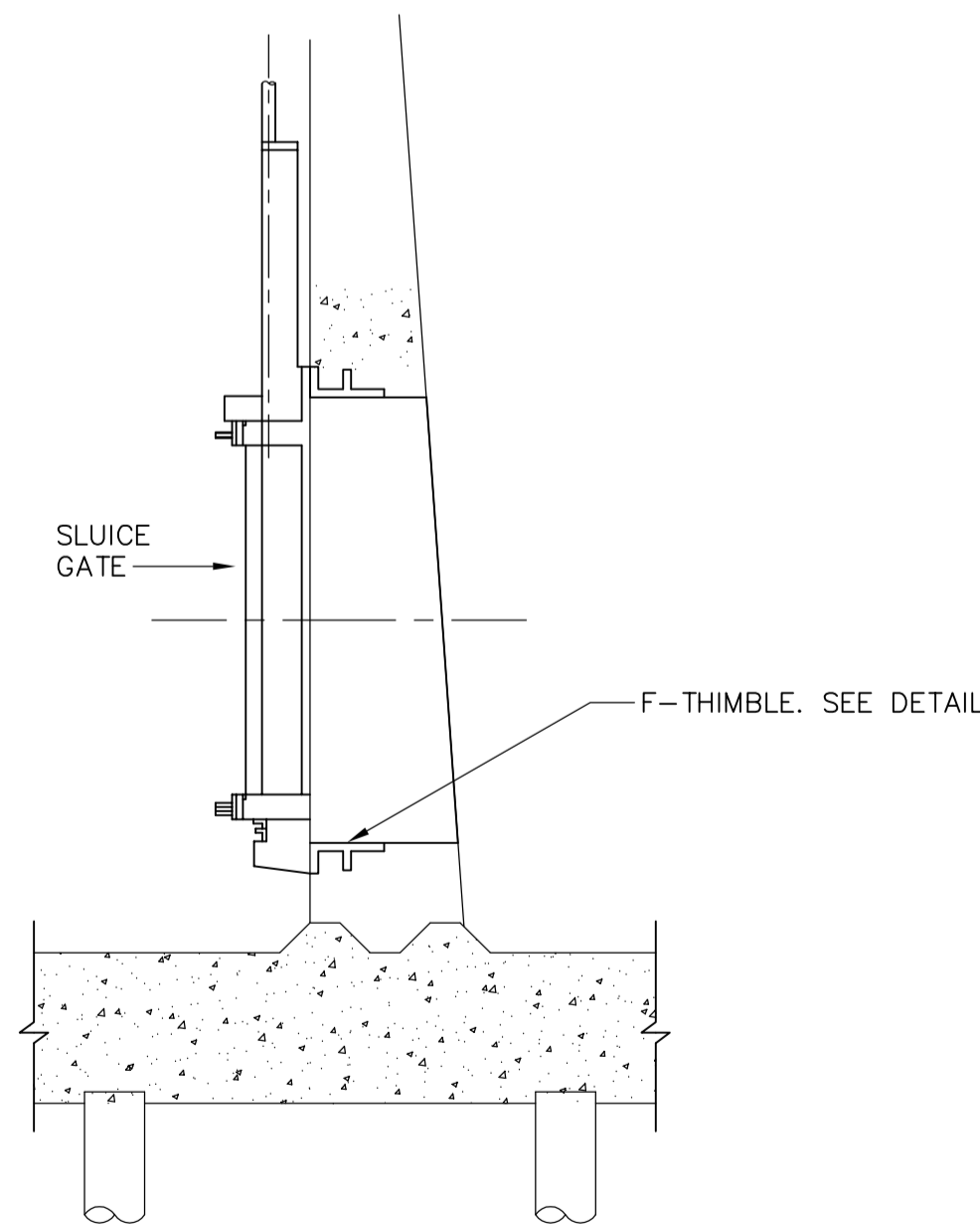
STD 102 SLUICE GATE DETAIL  
N.T.S.



STD 103 CLEARWELL OUTLET CONNECTION  
N.T.S.



STD 104 CLEARWELL INLET FUTURE CONNECTION  
N.T.S.



THIMBLE  
(TO BE SUPPLIED BY OTHERS)

NOTE:  
CONTACT THE GATE THIMBLE SUPPLIER FOR  
CONFIRMATION OF DIMENSIONS PRIOR TO START.

STD 105 SLUICE GATE THIMBLE DETAIL  
N.T.S.

**APEGN**  
Certificate of Authorization  
Earth Tech Canada Inc.  
No. 730 Expiry: April 30, 2005

B.M. ELEV.	<b>CH2M HILL</b> Frederickson Cooper ARCHITECTS	<b>EarthTech</b> A Tru Infrastructure Ltd. Company	ENGINEER'S SEAL ORIGINAL SIGNED BY S.R. BILEVICIUS 2005/04/15	<b>THE CITY OF WINNIPEG</b> WATER AND WASTE DEPARTMENT ENGINEERING DIVISION
	DESIGNED BY: SM	CHECKED BY: SRB	CONSULTANT DRAWING NO. WT-P009	CITY FILE NUMBER
	DRAWN BY: LAE	APPROVED BY: AHL		SHEET OF
	HOR. SCALE: AS NOTED	RELEASED FOR CONSTRUCTION BY: R. SOROKOWSKI		CITY DRAWING NUMBER
00 ISSUED FOR TENDER	05/04/17 LAE	DATE 2005/3/31	DATE 2005/04/17	1-06011-D-P0009-001-000
NO. REVISIONS	DATE	BY	DATE	PROCESS STANDARD DETAILS