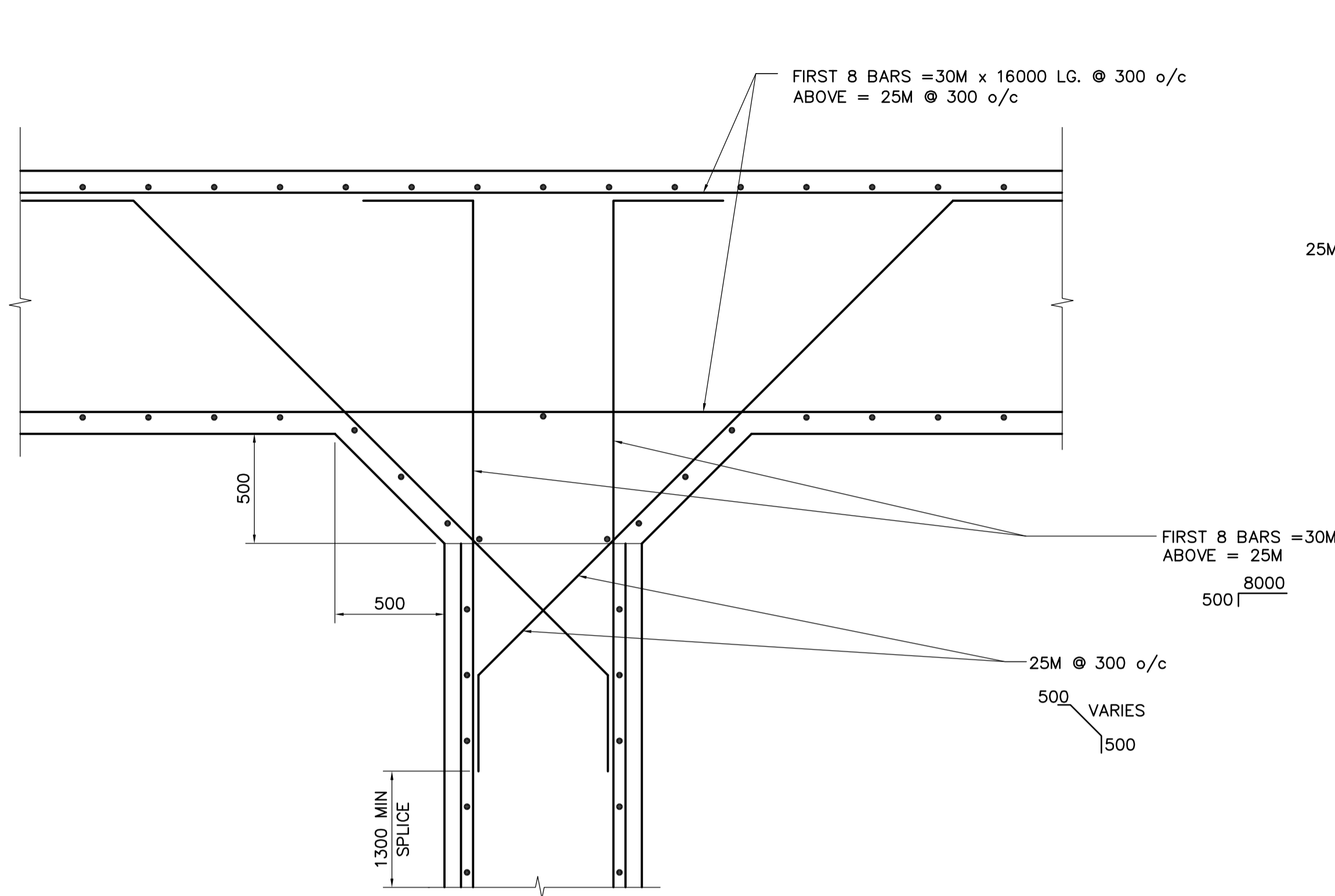


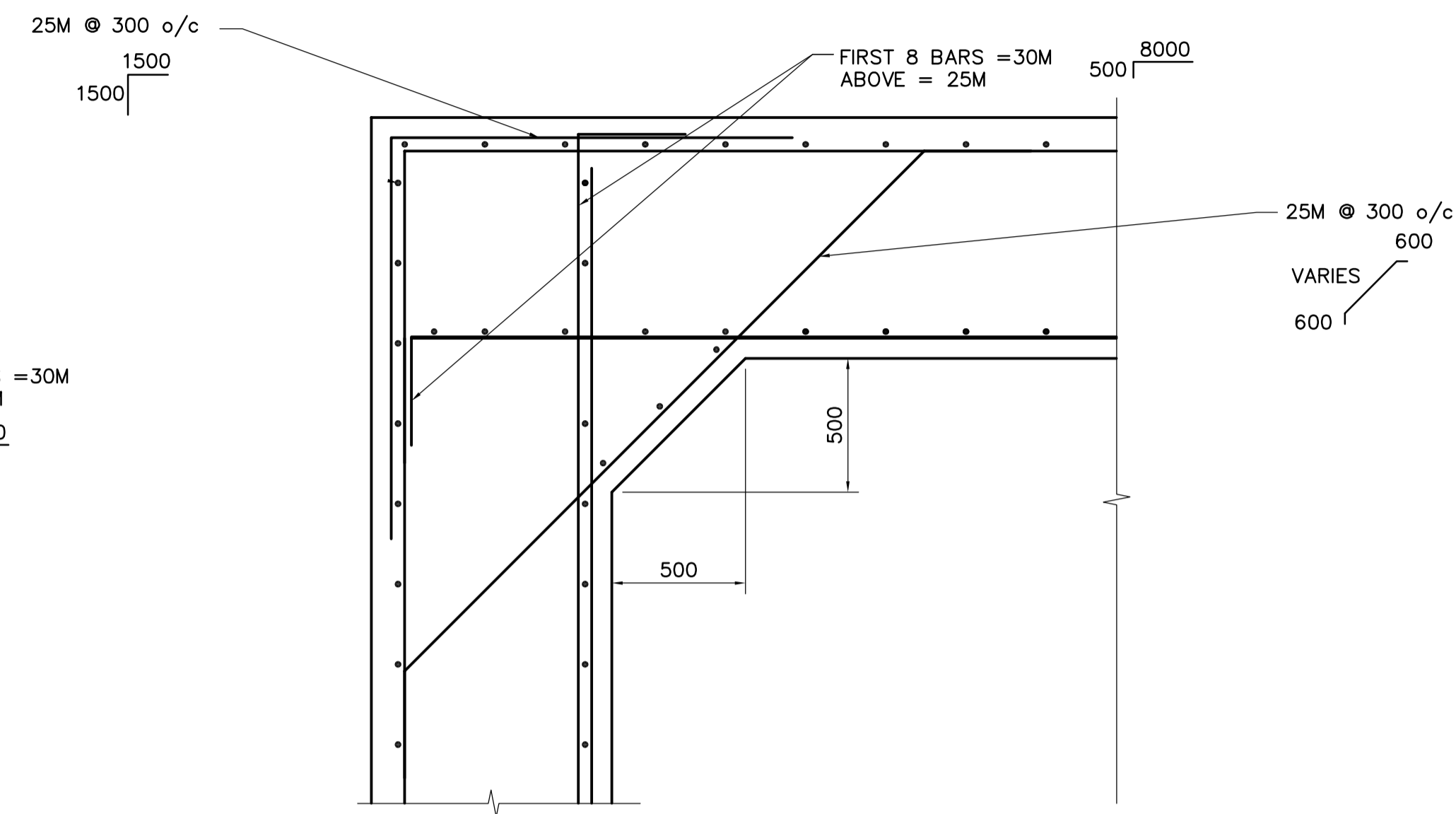
**1 TYPICAL STONE VENEER SUPPORT**  
WT-S028 1:10

NOTE: SIM ALL AROUND INLET BDG



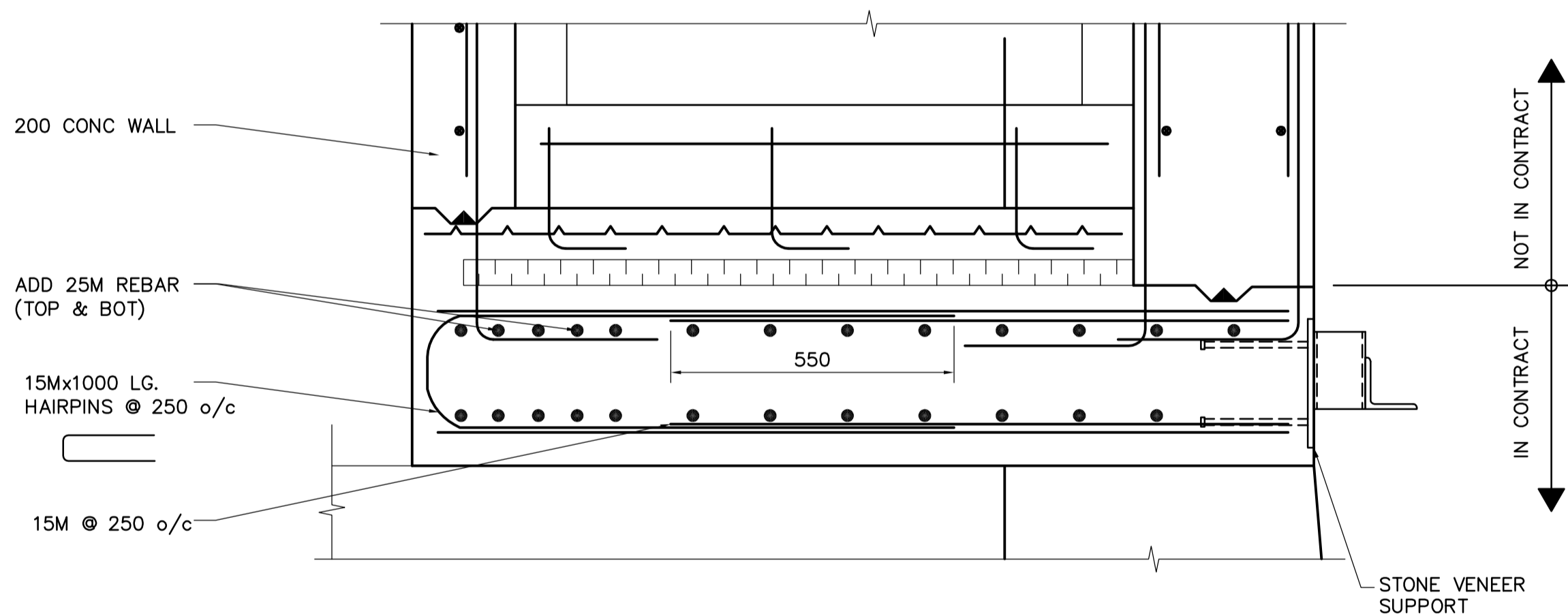
**A TYPICAL WALL REINFORCING AT INTERSECTION**  
WT-S010 1:20

- AT GRID LINES TA & T10, TD & T13.

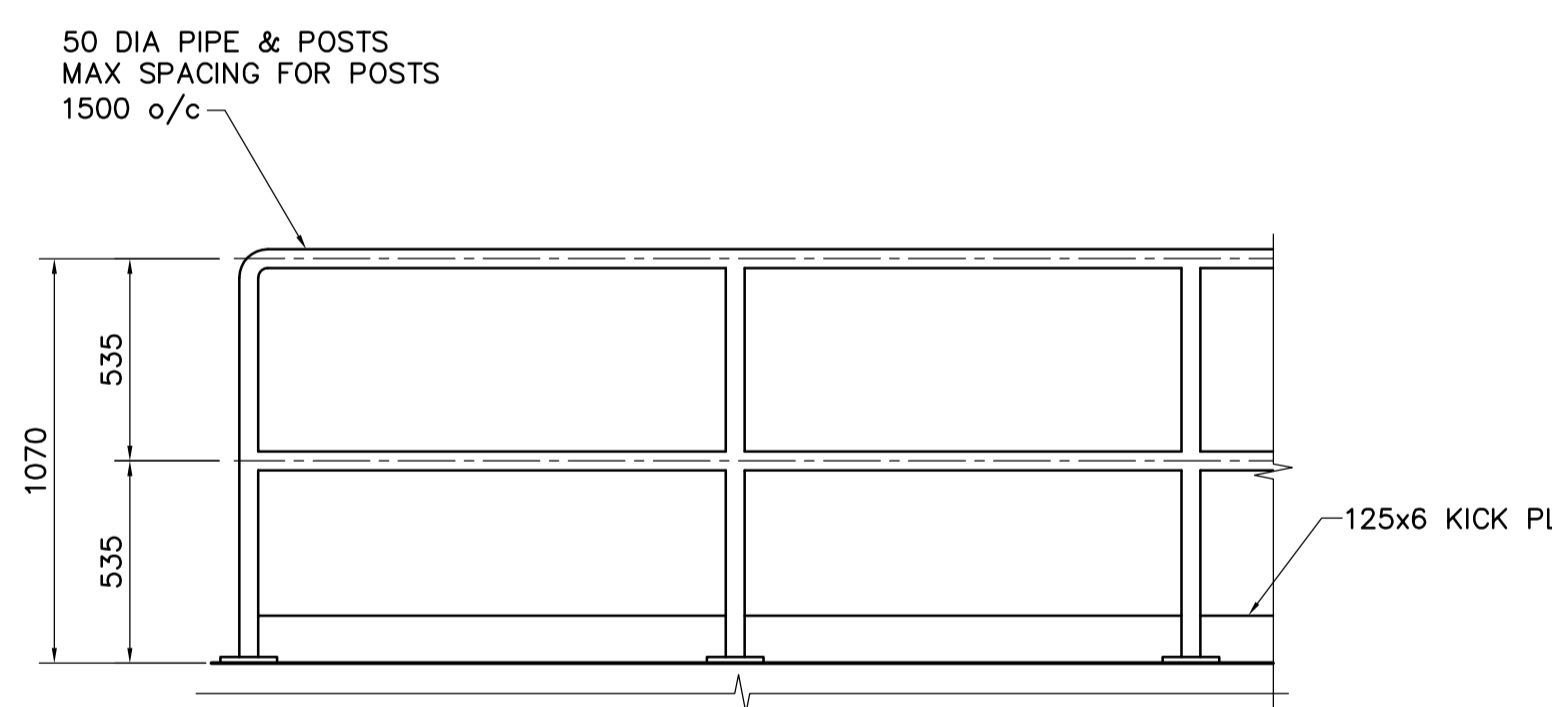


**B TYPICAL WALL REINFORCING AT CORNER**  
WT-S010 1:20

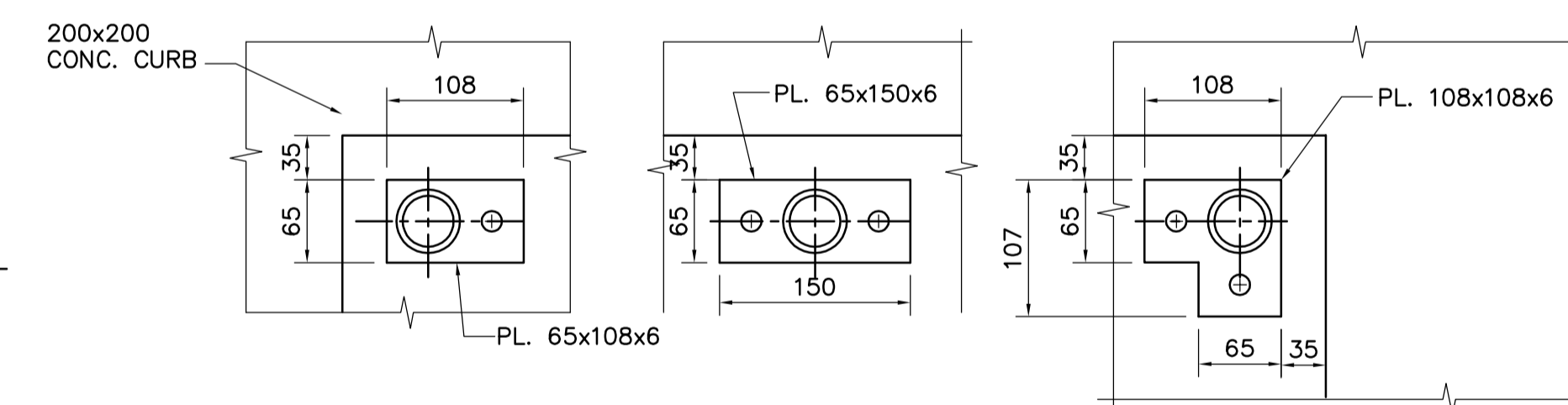
- AT GRID LINES TA & T1, TA & T13, TN & T13.



**C TYPICAL SLAB REINFORCING AT AIR INTAKES**  
WT-S030 1:10

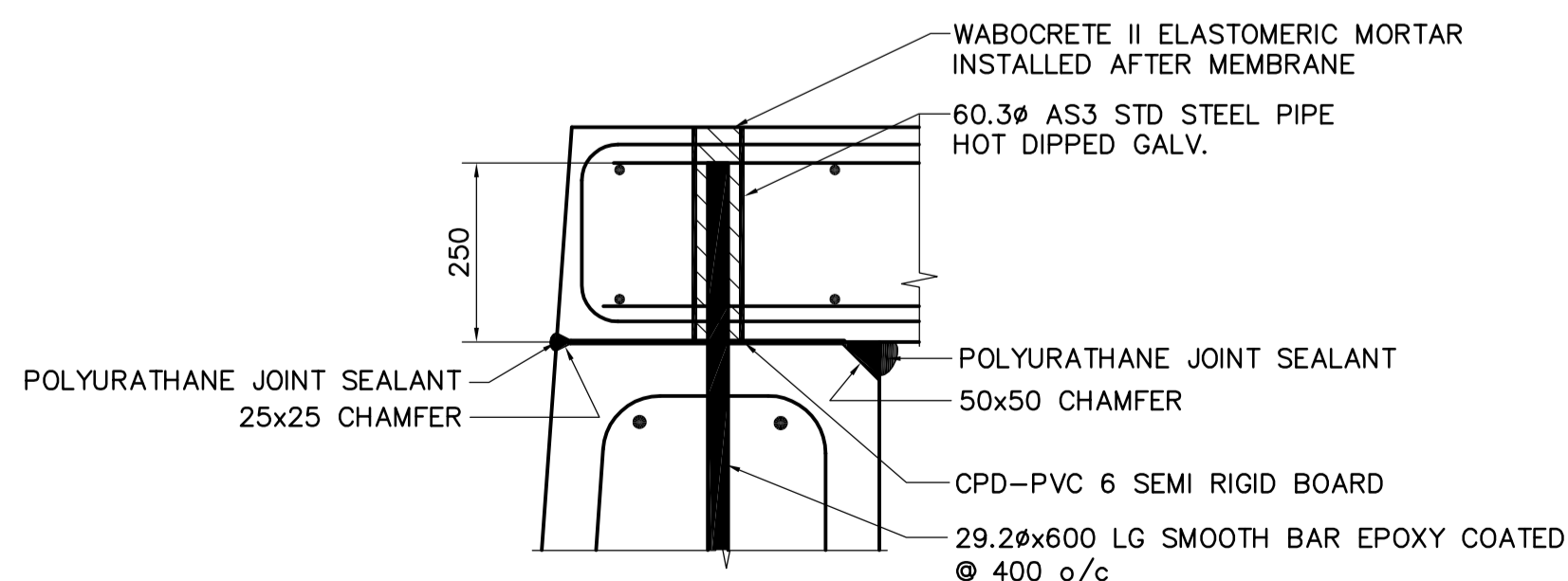


**TYPICAL ALUMINUM GUARDRAIL DETAIL**  
N.T.S.



**TYPICAL ALUMINUM GUARDRAIL BASE PLATE DETAIL**  
N.T.S.

NO INSULATION UNDER PLATES FOR APPROXIMATELY 300x300



**TYPICAL TOP WALL PINNED CONNECTION**  
N.T.S.

DRAWING NOTES:  
1. REFER TO DRAWING WT-S001 FOR GENERAL NOTES.



B.M. ELEV.			
DESIGNED BY	FK	CHECKED BY	MK
DRAWN BY	CMS	APPROVED BY	AHL
HOR. SCALE:	AS NOTED	RELEASED FOR CONSTRUCTION BY:	R. SOROKOWSKI
NO. REVISIONS	DATE	DATE	DATE
00	ISSUED FOR TENDER	05/04/17	C.T.
		2005/03/10	



ENGINEER'S SEAL  
ORIGINAL SIGNED BY  
F.A. KEMP  
2005/04/17



**WATER TREATMENT PLANT CLEARWELL CONSTRUCTION**  
CITY FILE NUMBER  
SHEET OF  
CITY DRAWING NUMBER  
1-0601T-D-S0032-001-00D