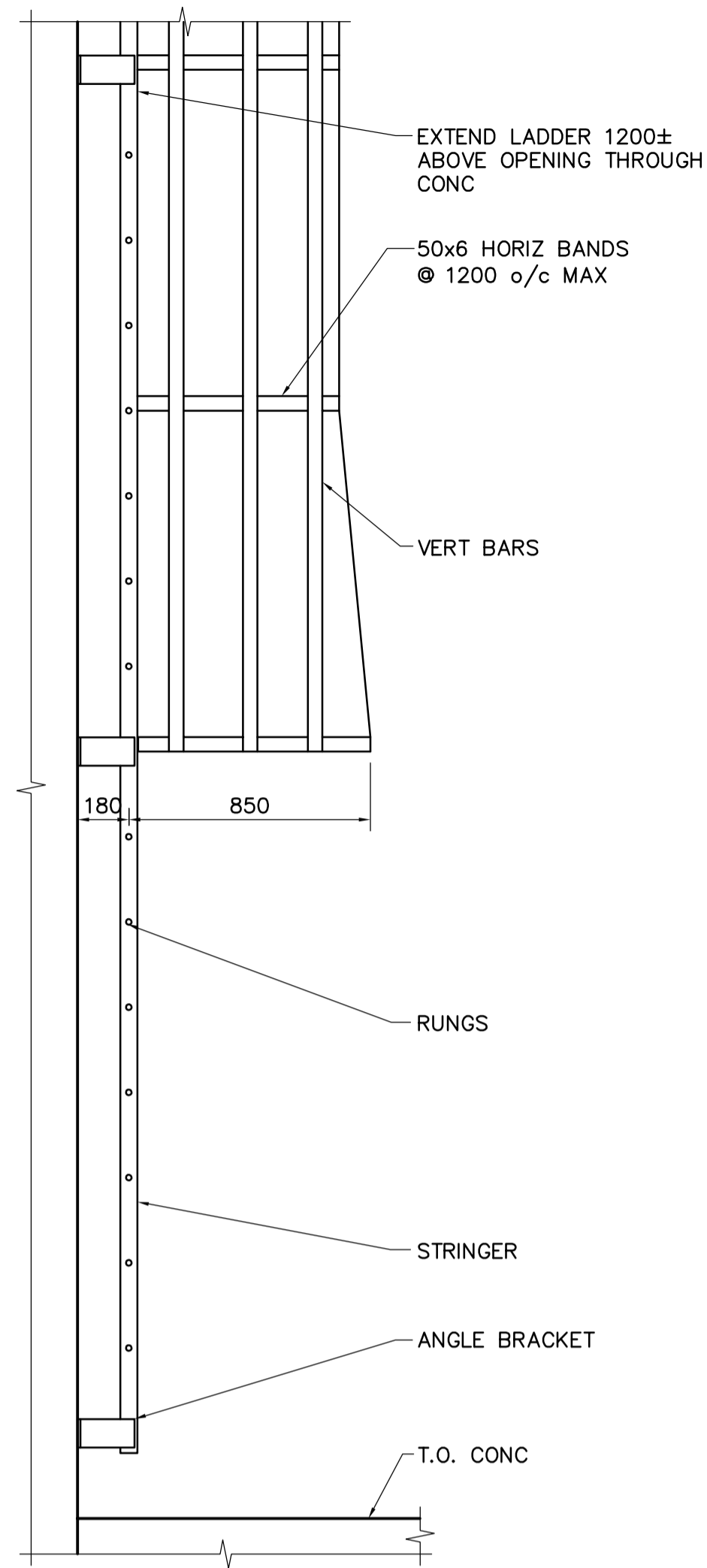
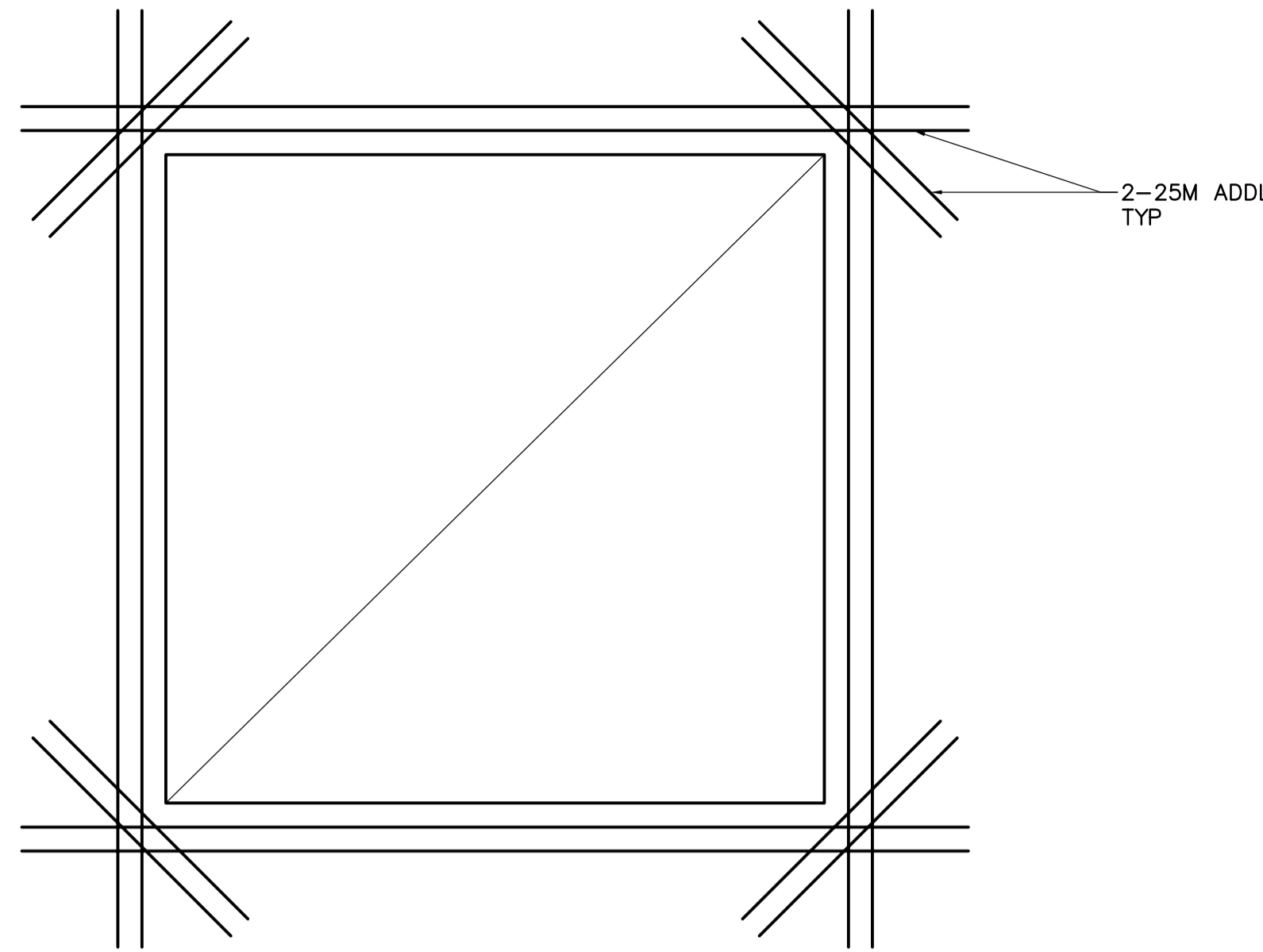


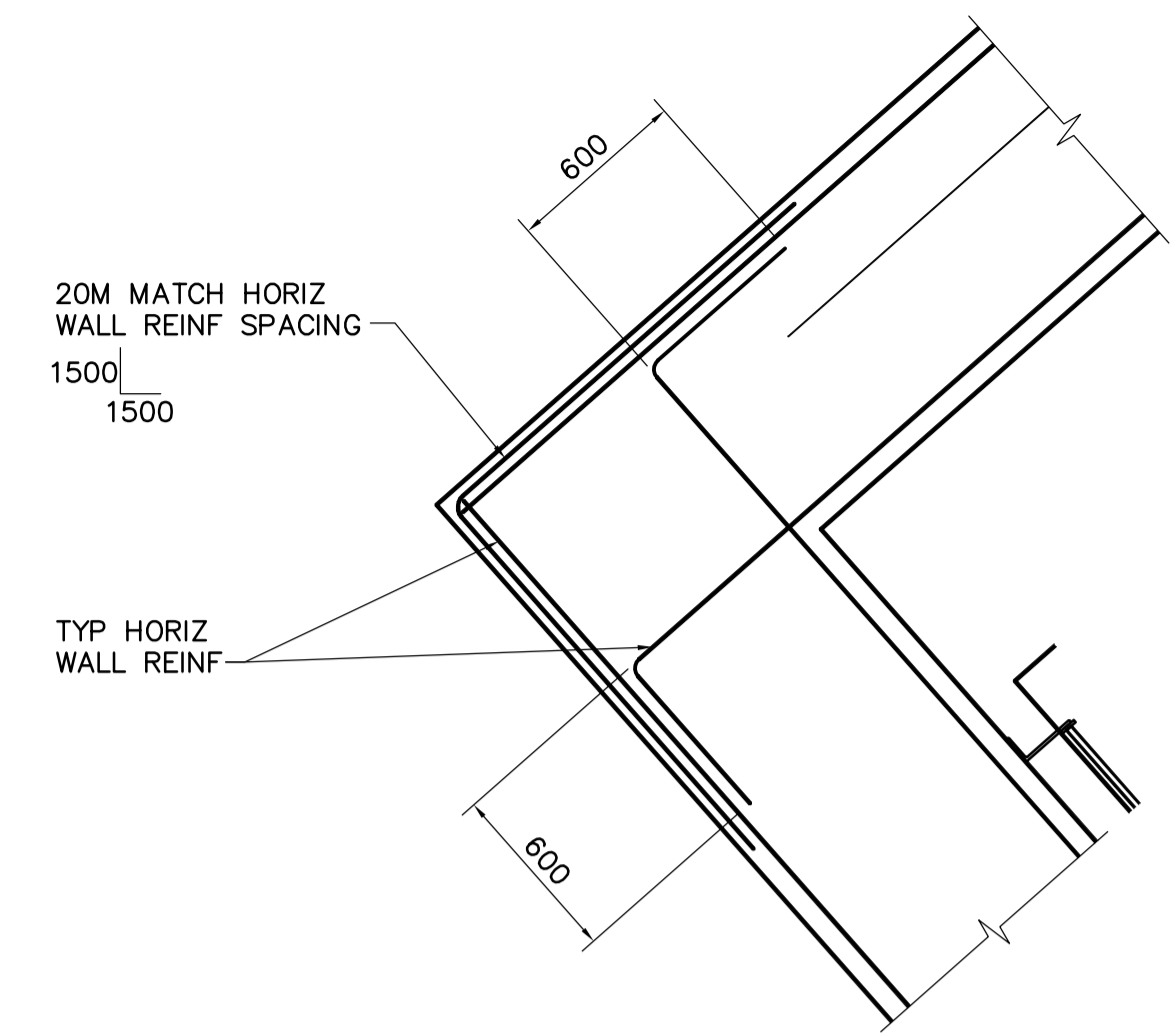
TYPICAL ALUMINUM LADDER DETAIL
N.T.S.



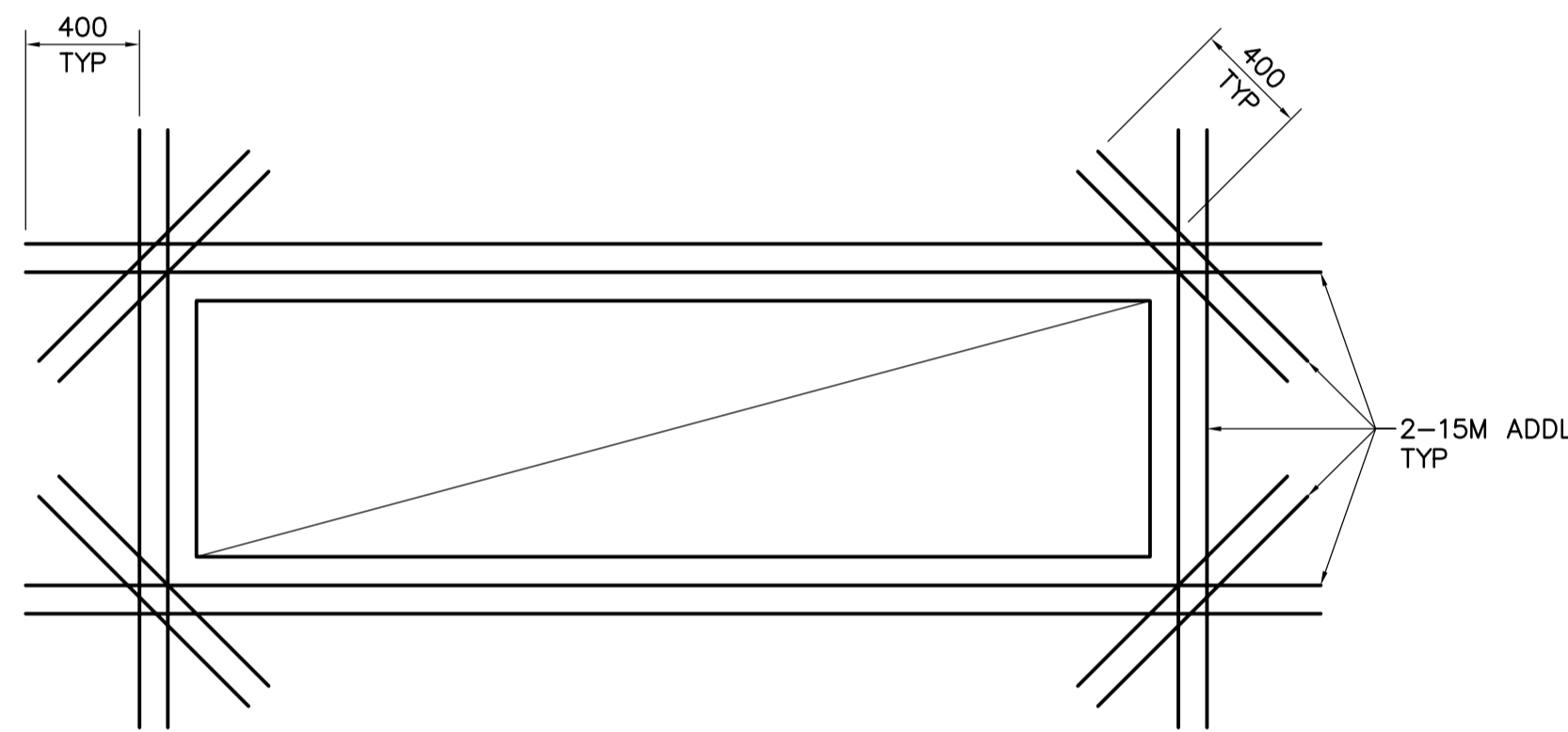
TYPICAL ALUMINUM LADDER SECTION
N.T.S.



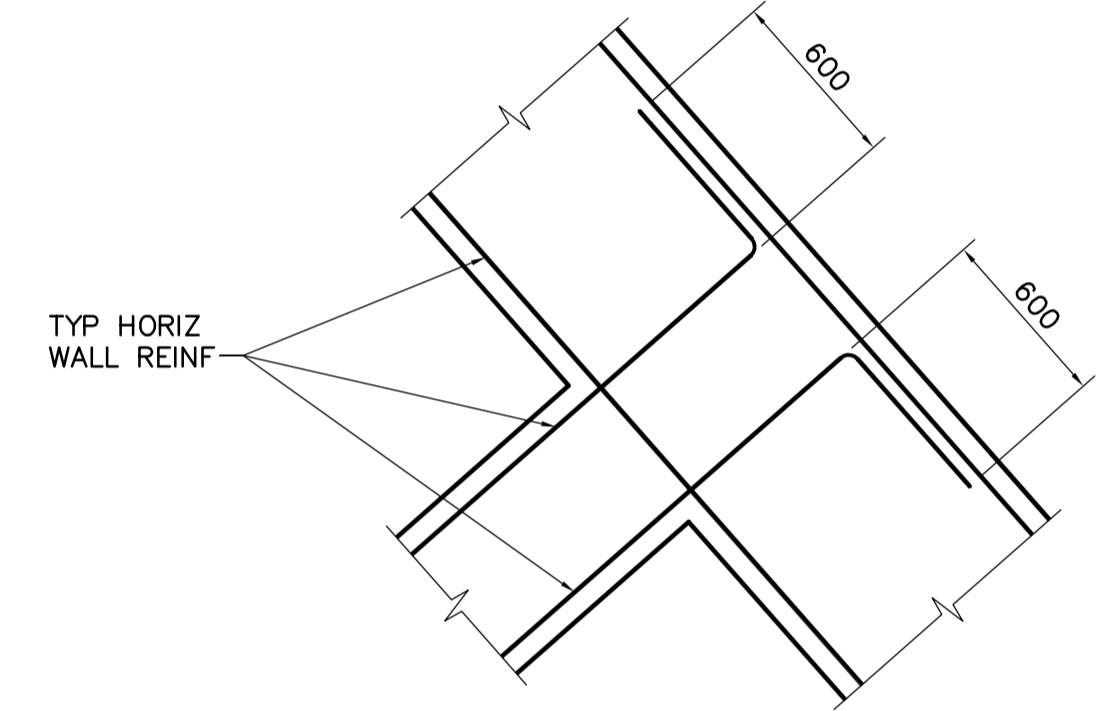
TYPICAL REINFORCING AROUND OPENINGS THROUGH CONCRETE WALL
N.T.S.



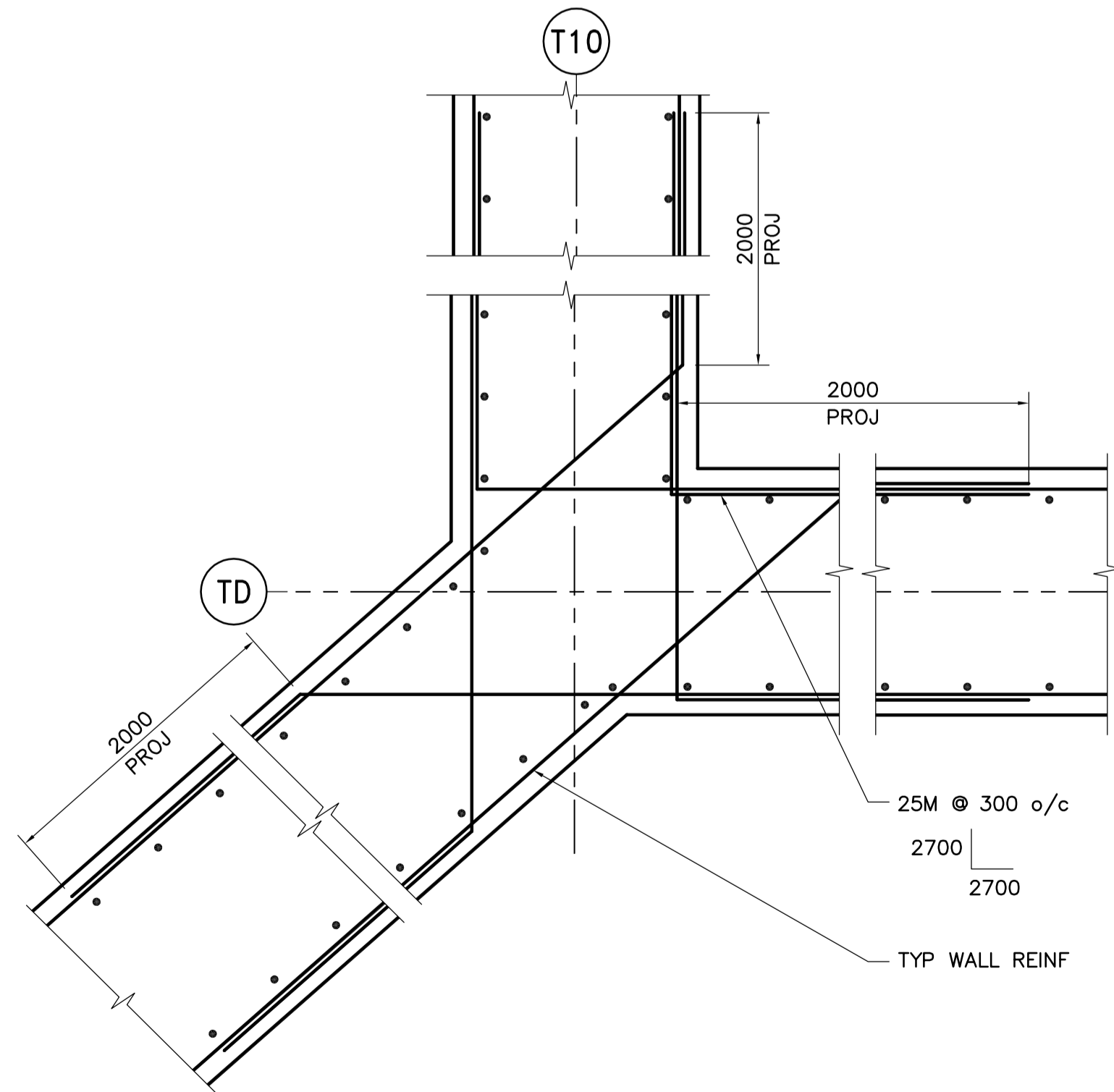
TYPICAL REINFORCING AT WALL CORNER AT OUTLET STRUCTURE
N.T.S.



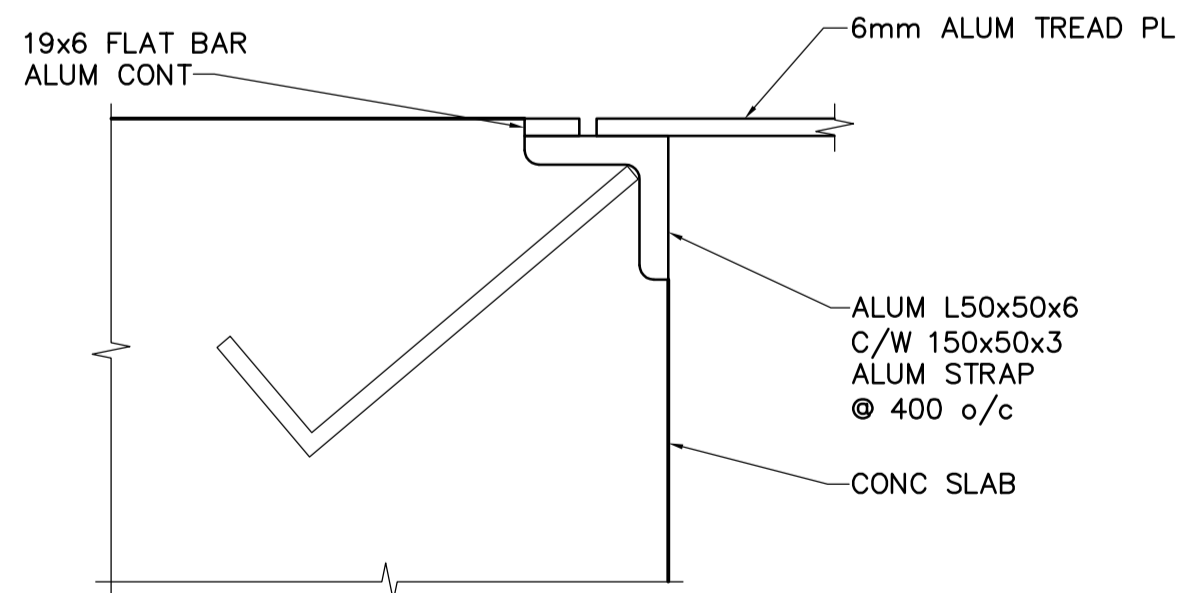
TYPICAL REINFORCING AROUND OPENINGS THROUGH CONCRETE SLAB
N.T.S.



TYPICAL REINFORCING AT WALL INTERSECTION AT OUTLET STRUCTURE
N.T.S.



WALL REINFORCING AT INTERSECTION GRIDLINES T10 AND TD
N.T.S.



TYPICAL ALUMINUM COVER DETAIL
N.T.S.

APEGM
Certificate of Authorization
Earth Tech Canada Inc.
No. 730 Expiry: April 30, 2005

B.M. ELEV.			
DESIGNED BY	FK	CHECKED BY	MK
DRAWN BY	CMS	APPROVED BY	AHL
HOR. SCALE:	AS NOTED	RELEASED FOR CONSTRUCTION BY:	R. SOROKOWSKI
NO. REVISIONS	DATE	DATE	DATE
00	ISSUED FOR TENDER	05/04/17	C.T.
		2005/03/10	
		2005-04-17	

CH2M HILL
Frederickson Cooper
ARCHITECTS

EarthTech
A Tyco International Ltd. Company

ENGINEER'S SEAL
ORIGINAL SIGNED BY
F.A. KEMP
2005/04/17

THE CITY OF WINNIPEG
WATER AND WASTE DEPARTMENT
ENGINEERING DIVISION

**WATER TREATMENT PLANT
CLEARWELL CONSTRUCTION**

STRUCTURAL
STANDARD DETAILS

CITY FILE NUMBER
SHEET OF
CITY DRAWING NUMBER
1-06011-D-S0033-001-00D