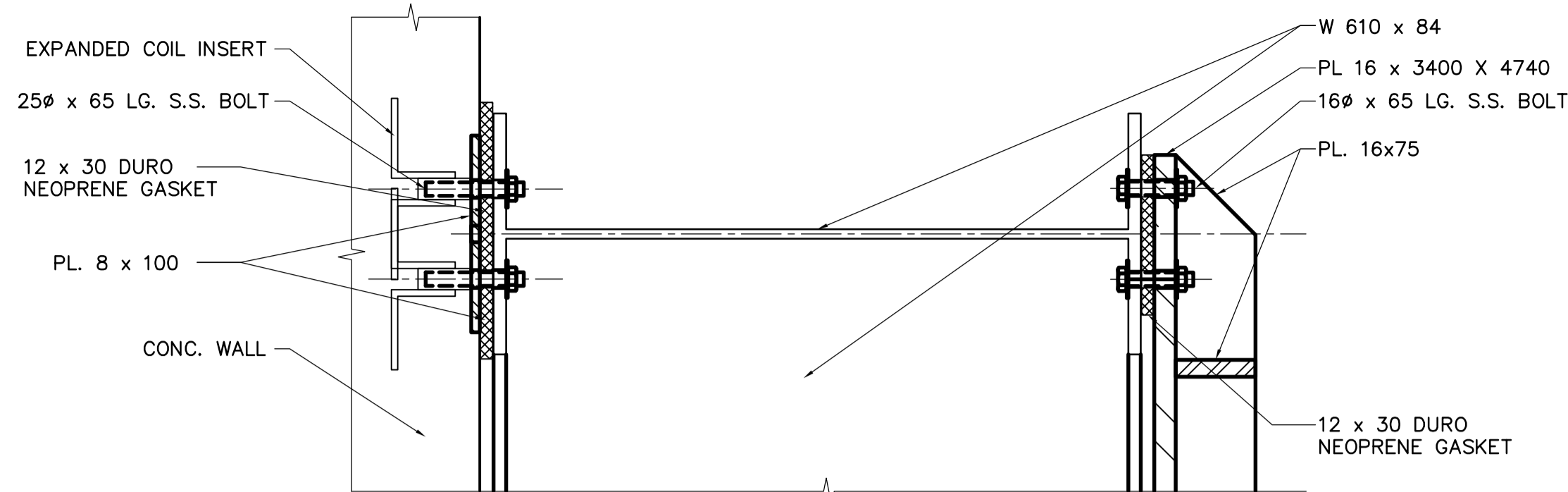


SLUICE GATE TEST FRAME

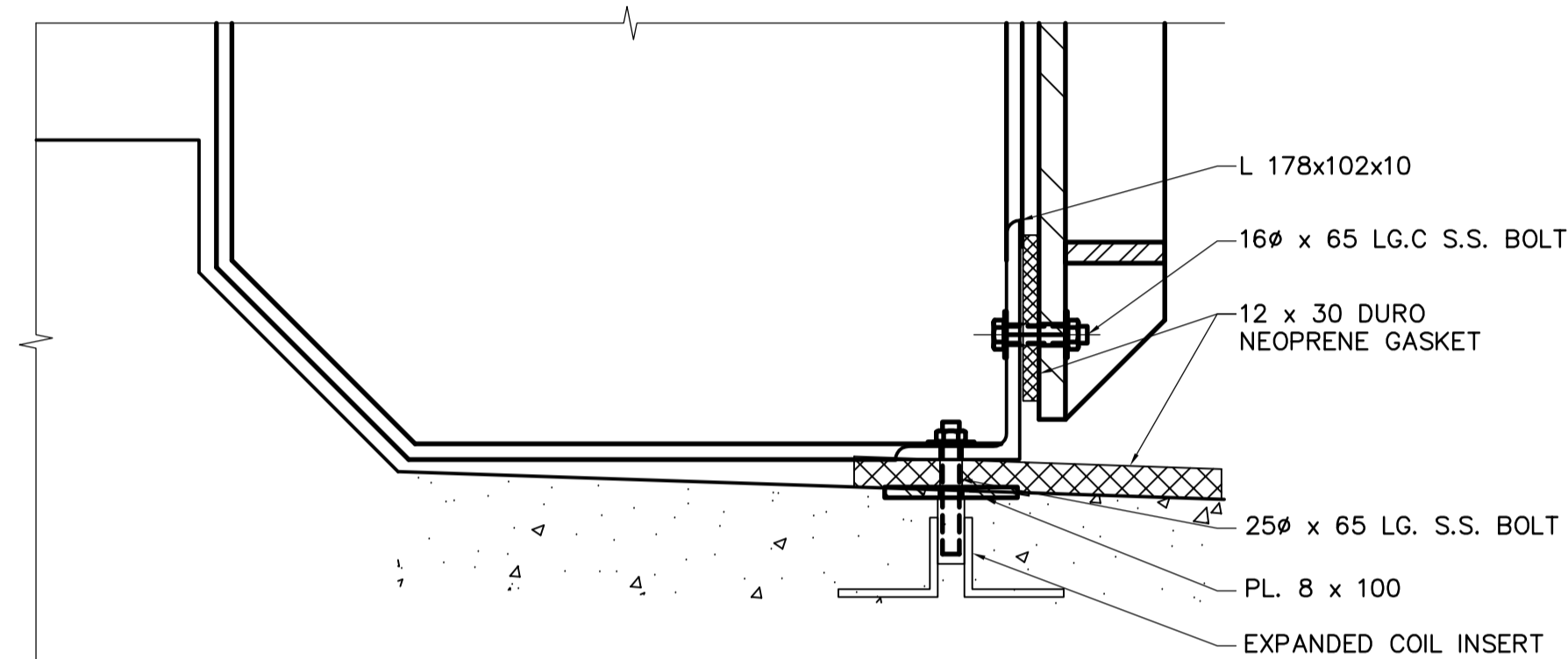
N.T.S.

NOTE:

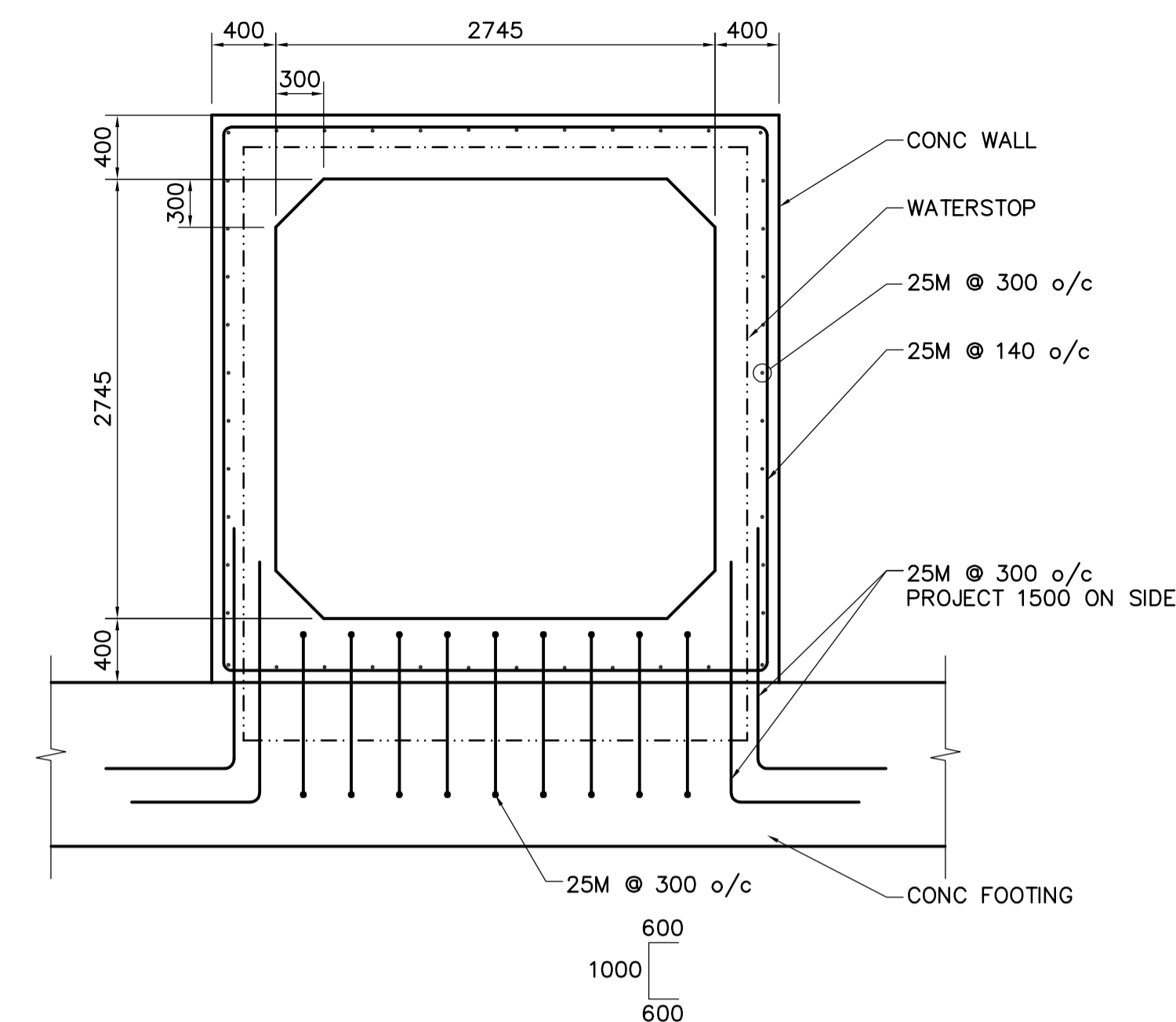
CONTRACTOR TO ALLOW FOR FABRICATION COST IN THIS CONTRACT.



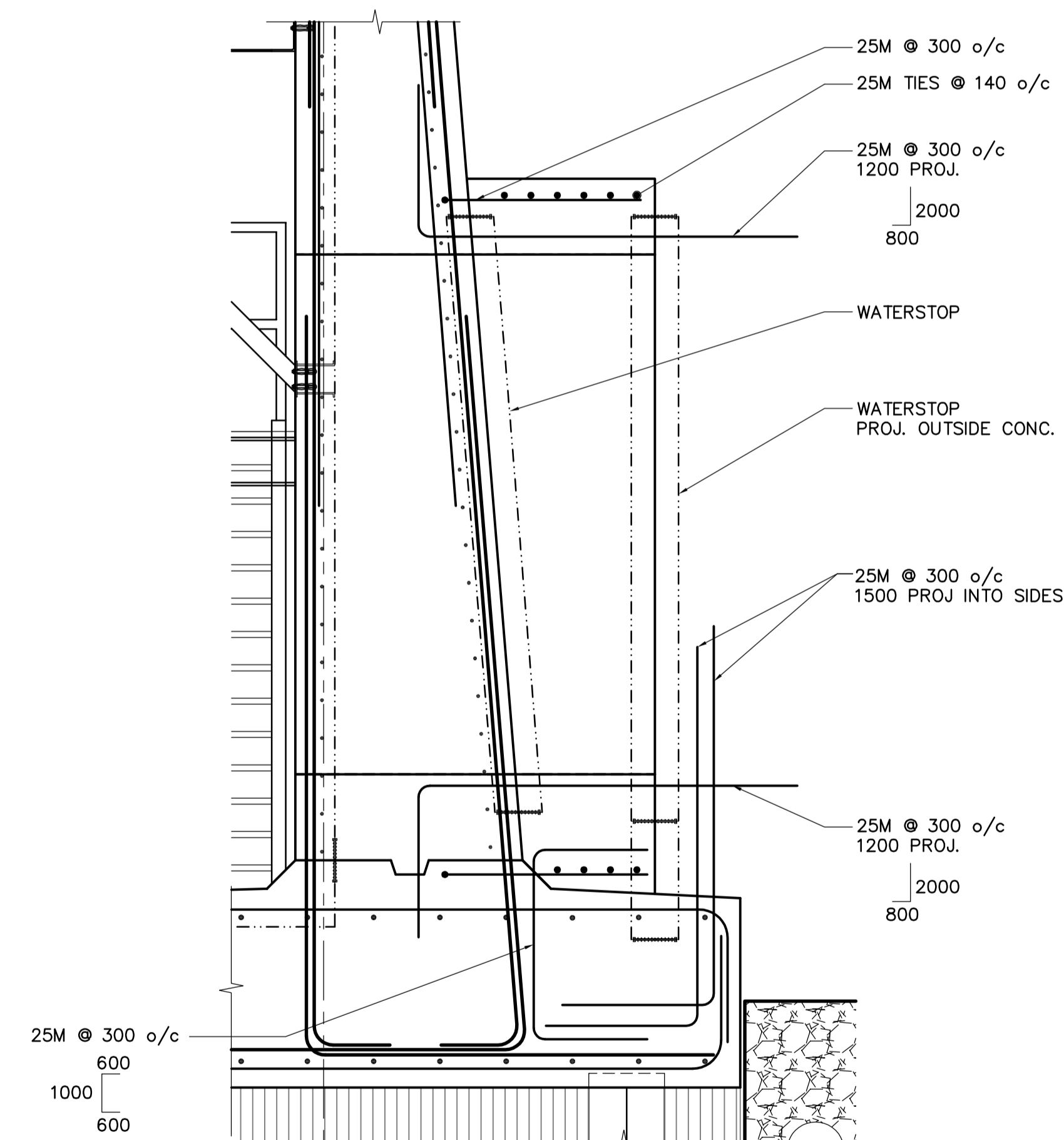
A DETAIL
WT-S040 1:5



B DETAIL
WT-S040 1:5



TYPICAL REINFORCING AROUND TUNNEL OPENING
N.T.S.



TYPICAL REINFORCING AROUND TUNNEL OPENING
N.T.S.

DRAWING NOTES:
1. REFER TO DRAWING WT-S001 FOR GENERAL NOTES.

APECM
Certificate of Authorization
Earth Tech Canada Inc.
No. 730 Expiry: April 30, 2005

B.M. ELEV.	DATE	BY	C.T.
00	ISSUED FOR TENDER	05/04/17	C.T.
	NO. REVISIONS	DATE	BY

CH2MHILL
Frederickson Cooper
ARCHITECTS

EarthTech
A Tyco International Ltd. Company

DESIGNED BY: FK
DRAWN BY: WDB
HOR. SCALE: AS NOTED
VERTICAL SCALE:

CHECKED BY: MK
APPROVED BY: AHL
RELEASED FOR CONSTRUCTION BY:
R. SOROKOWSKI

DATE: 2005/04/13
DATE: 2005-04-17

ENGINEER'S SEAL
ORIGINAL SIGNED BY
F.A. KEMP
2005/04/17
CONSULTANT DRAWING NO.
WT-S040

THE CITY OF WINNIPEG
WATER AND WASTE DEPARTMENT
ENGINEERING DIVISION

**WATER TREATMENT PLANT
CLEARWELL CONSTRUCTION**

STRUCTURAL
MISCELLANEOUS DETAILS

CITY FILE NUMBER
SHEET OF
CITY DRAWING NUMBER
I-06011-D-S0040-001-000