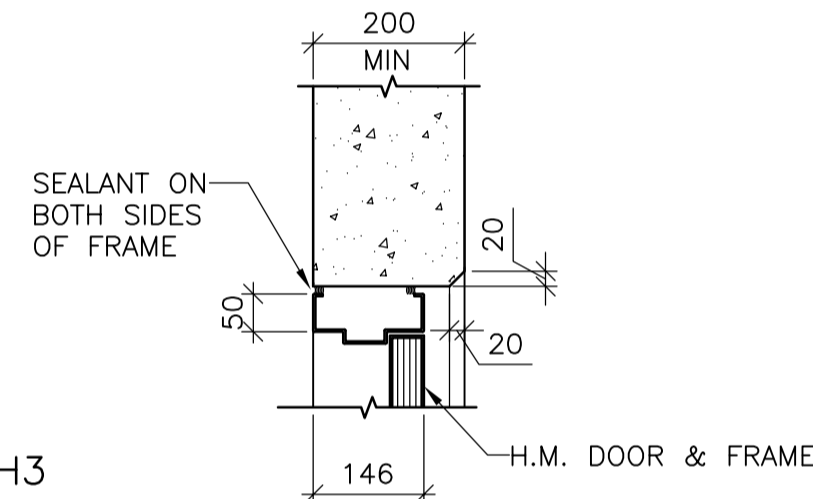


ROOM FINISH SCHEDULE

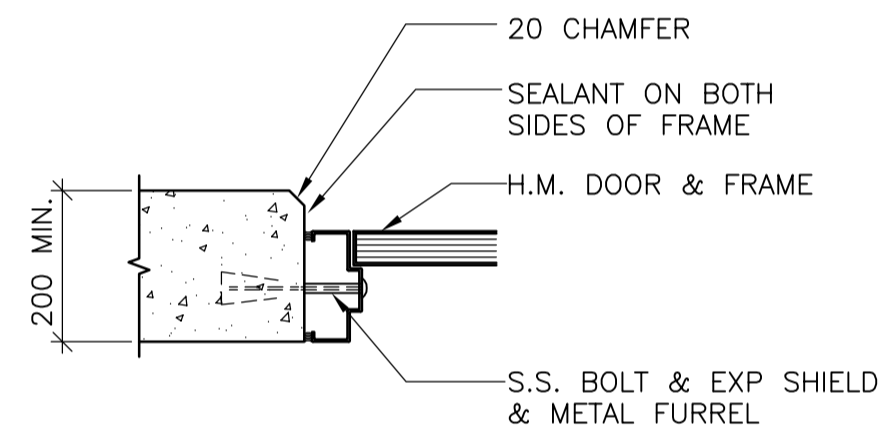
ROOM NO.	ROOM NAME	FLOOR			WALLS								CEILING			REMARKS
		MAT.	FINISH	BASE	NORTH		SOUTH		EAST		WEST		MAT.	FINISH	HGT.	
					MAT.	FINISH	MAT.	FINISH	MAT.	FINISH	MAT.	FINISH				
INLET BUILDING																
101	INLET ROOM	CONC	SEALED	-	CONC	CONC*	CONC	CONC*	CONC	CONC	CONC	CONC*	CONC	EXP	5600	INSUL GALVALUME PANELS AT ALL AIR SHAFT WALLS ONLY
OUTLET BUILDING																
201	OUTLET ROOM	CONC	SEALED	-	CONC	PANEL*	CONC	PANEL*	CONC	PANEL*	CONC	PANEL*	CONC	EXP	5600	INSUL GALVALUME PANELS AT ALL INTERIOR WALLS
EMERGENCY EXIT HUTS																
301	PLENUM	CONC	SEALED	-	CONC		CONC		CONC		CONC		CONC	EXP	5600	
302	PLENUM	CONC	SEALED	-	CONC		CONC		CONC		CONC		CONC	EXP	5600	
303	PLENUM	CONC	SEALED	-	CONC		CONC		CONC		CONC		CONC	EXP	5600	
304	PLENUM	CONC	SEALED	-	CONC		CONC		CONC		CONC		CONC	EXP	5600	

DOOR SCHEDULE

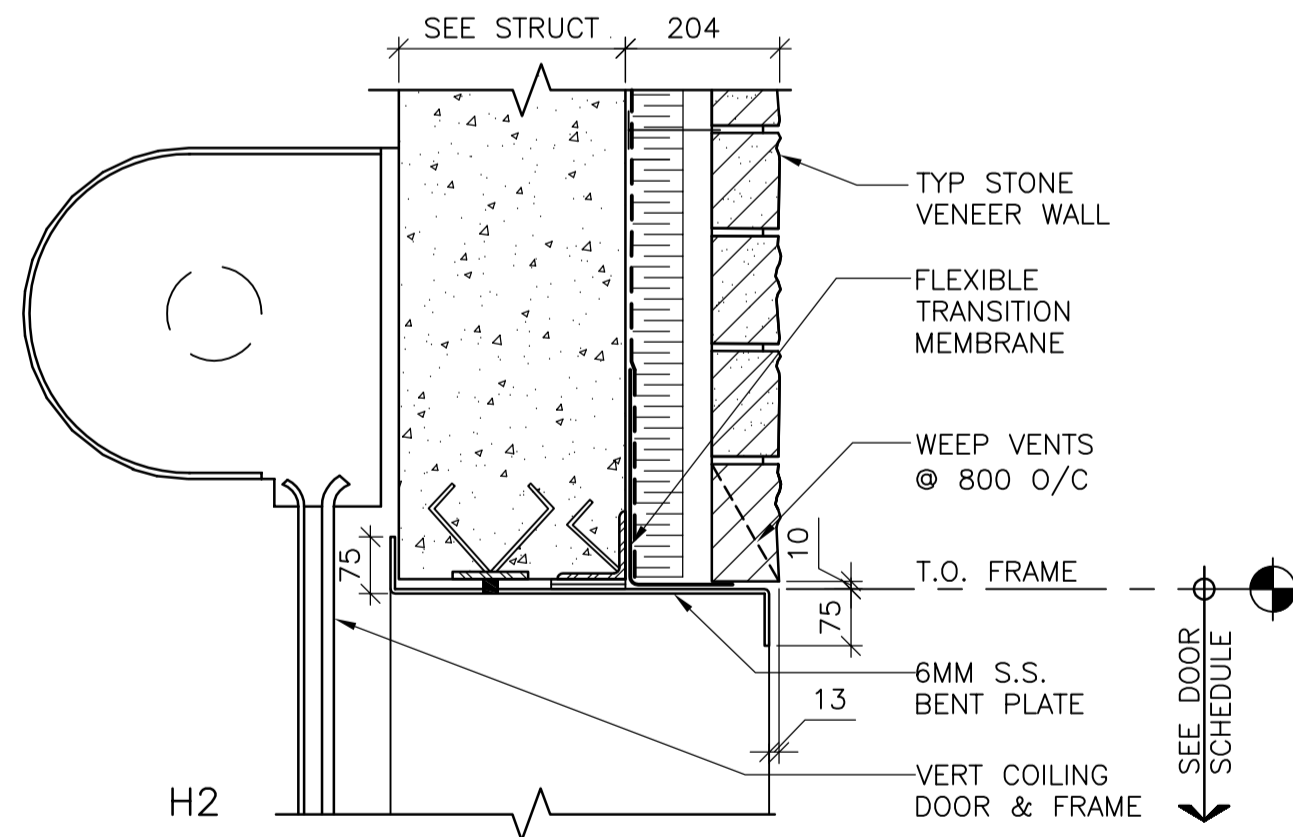
DOOR NUMBER	DOOR TYPE	WIDTH	HEIGHT	THICKNESS	MATERIAL	FINISH	REINFORCEMENT	LOUVER	GLASS	FRAME TYPE	FRAME					HARDWARE GROUP	REMARKS
											DETAIL		MATERIAL	FINISH	FIRE RATING		
											HEAD	JAMB					
INLET BUILDING																	
101	D1	2/900	2150	45	H.M.	PT	VS		-	F1	H1	J1	H.M.	PT	-	THERMALLY BROKEN FRAME	
102	D2	2900	3275	45	H.M.	PT	VS		-	F2	H2	J2	H.M.	PT	-	INSUL COILING DOOR, ELECTRICALLY OPERATED	
103	D2	2900	3275	45	H.M.	PT	VS		-	F2	H2	J2	H.M.	PT	-	INSUL COILING DOOR, ELECTRICALLY OPERATED	
104	D3	900	2150	45	H.M.	PT	VS		-	F1	H1	J1	H.M.	PT	-	THERMALLY BROKEN FRAME	
105	D3	900	2150	45	H.M.	PT	VS		-	F3	H3	J3	STL	PT	-	THERMALLY BROKEN FRAME	
106	D3	900	2150	45	H.M.	PT	VS		-	F3	H3	J3	STL	PT	-	THERMALLY BROKEN FRAME	
107	D3	900	2150	45	H.M.	PT	VS		-	F3	H3	J3	STL	PT	-	THERMALLY BROKEN FRAME	
OUTLET BUILDING																	
201	D3	900	2150	45	H.M.	PT	VS		-	F1	H1	J1	H.M.	PT	-	THERMALLY BROKEN FRAME	
202	D1	2/900	2150	45	H.M.	PT	VS		-	F1	H1	J1	H.M.	PT	-	THERMALLY BROKEN FRAME	



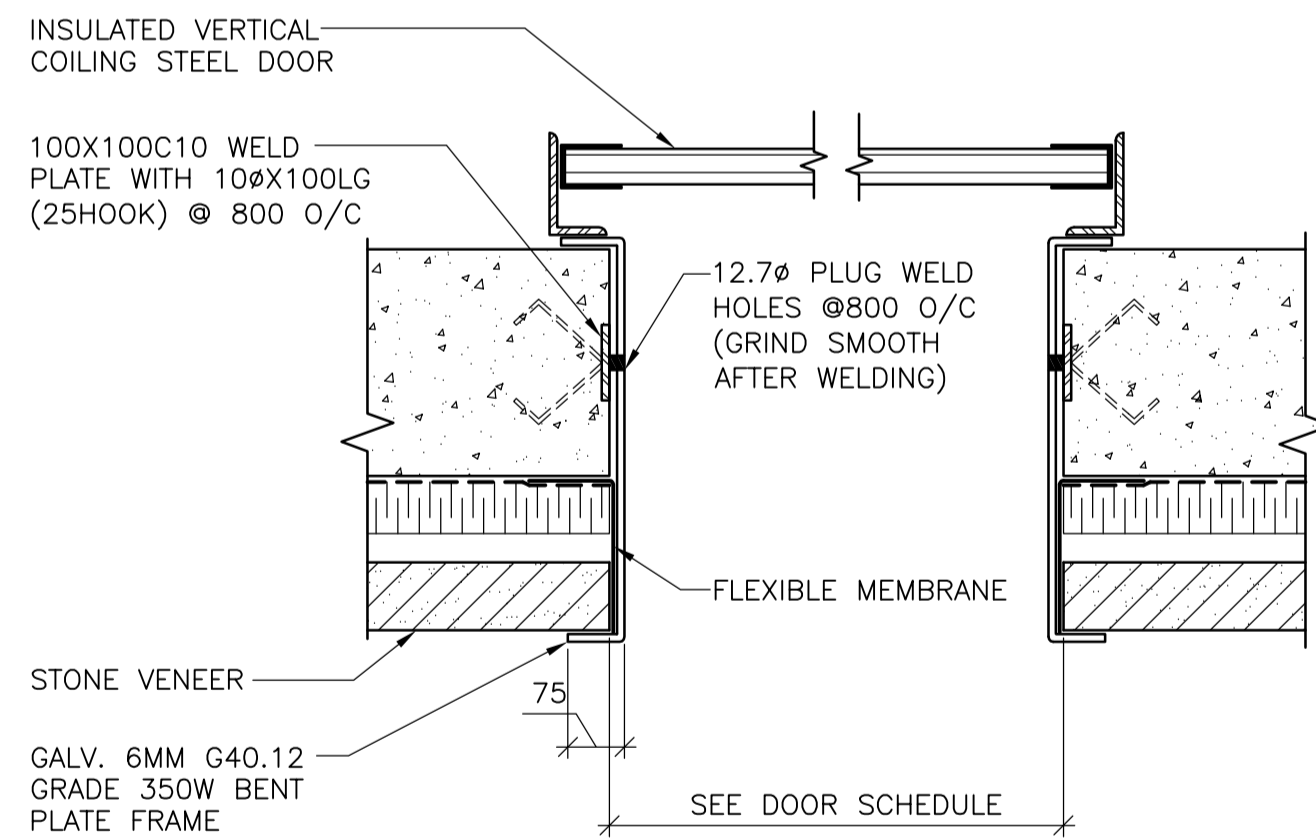
H3



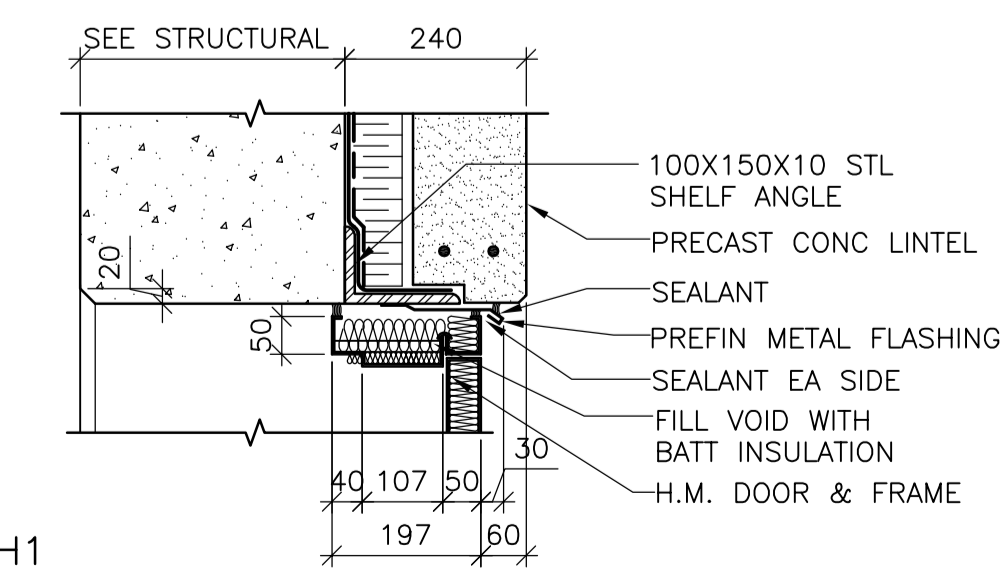
J3



H2

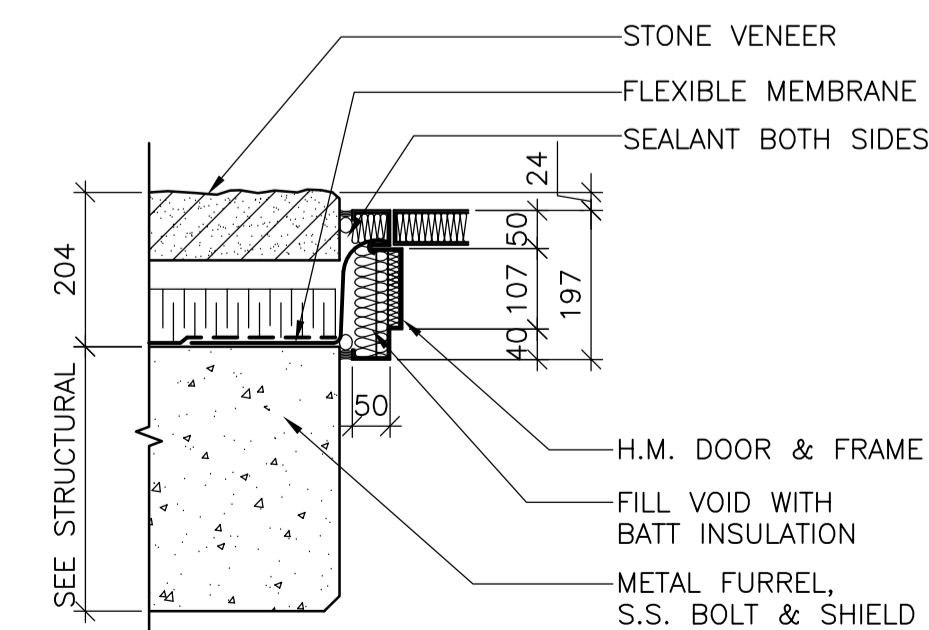


J2



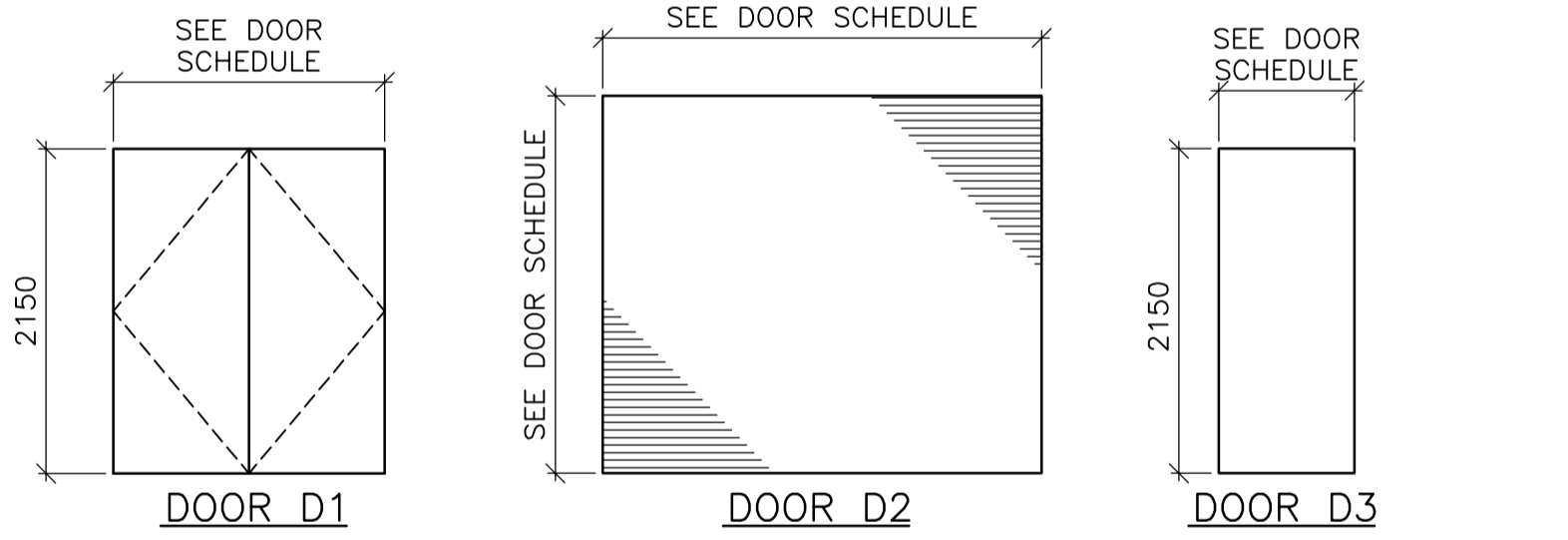
H1

DOOR HEAD TYPES

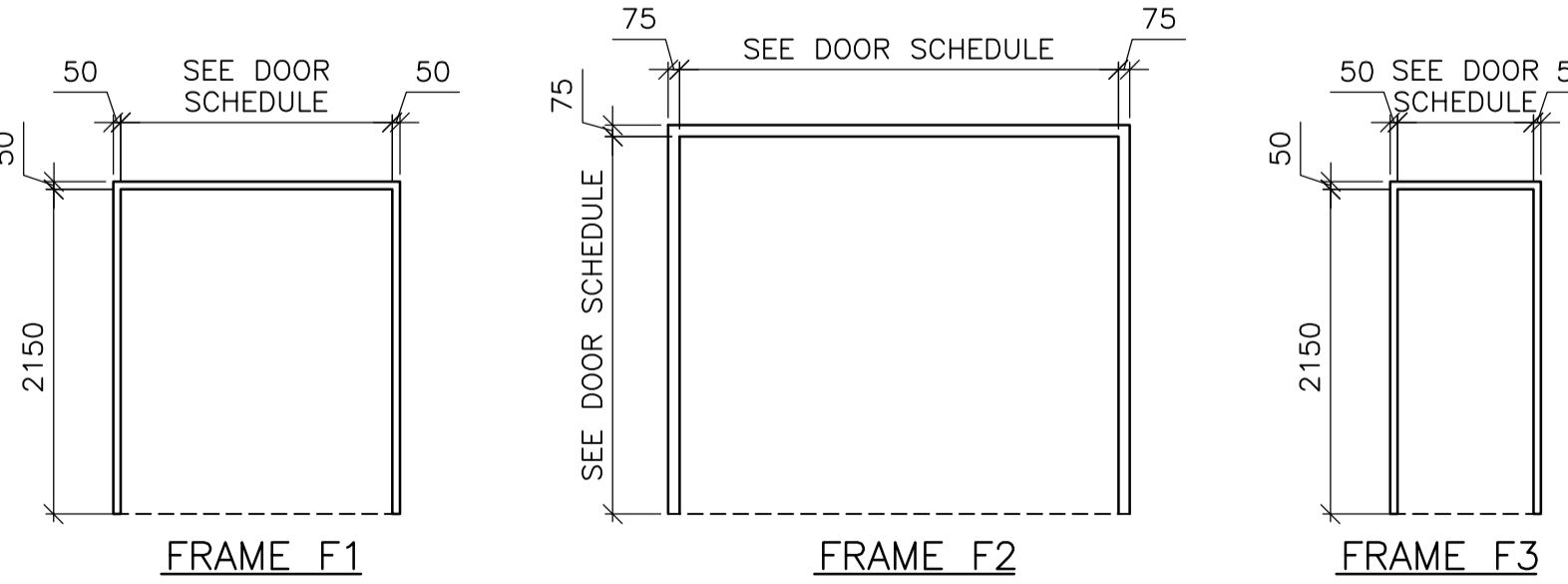


J1

DOOR JAMB TYPES



DOOR ELEVATIONS



FRAME ELEVATIONS

FOR INFORMATION ONLY - NOT IN CONTRACT

B.M. ELEV.	 Frederickson Cooper ARCHITECTS	 A Total Infrastructure Ltd. Company	ENGINEER'S SEAL	 THE CITY OF WINNIPEG WATER AND WASTE DEPARTMENT ENGINEERING DIVISION	CITY FILE NUMBER SHEET OF CITY DRAWING NUMBER
DESIGNED BY: BS DRAWN BY: WC		CHECKED BY: APPROVED BY:		WATER TREATMENT PLANT CLEARWELL CONSTRUCTION	
HOR. SCALE: AS NOTED VERTICAL SCALE: AS NOTED		RELEASED FOR CONSTRUCTION BY:			
00 ISSUED FOR TENDER (N.I.C.) 05/04/17 WC		05/04/04		ARCHITECTURAL DOOR TYPES & DOOR FRAMES DETAILS ROOM FINISH & DOOR SCHEDULES	
NO. REVISIONS		DATE		CONSULTANT DRAWING NO. WT-A001	