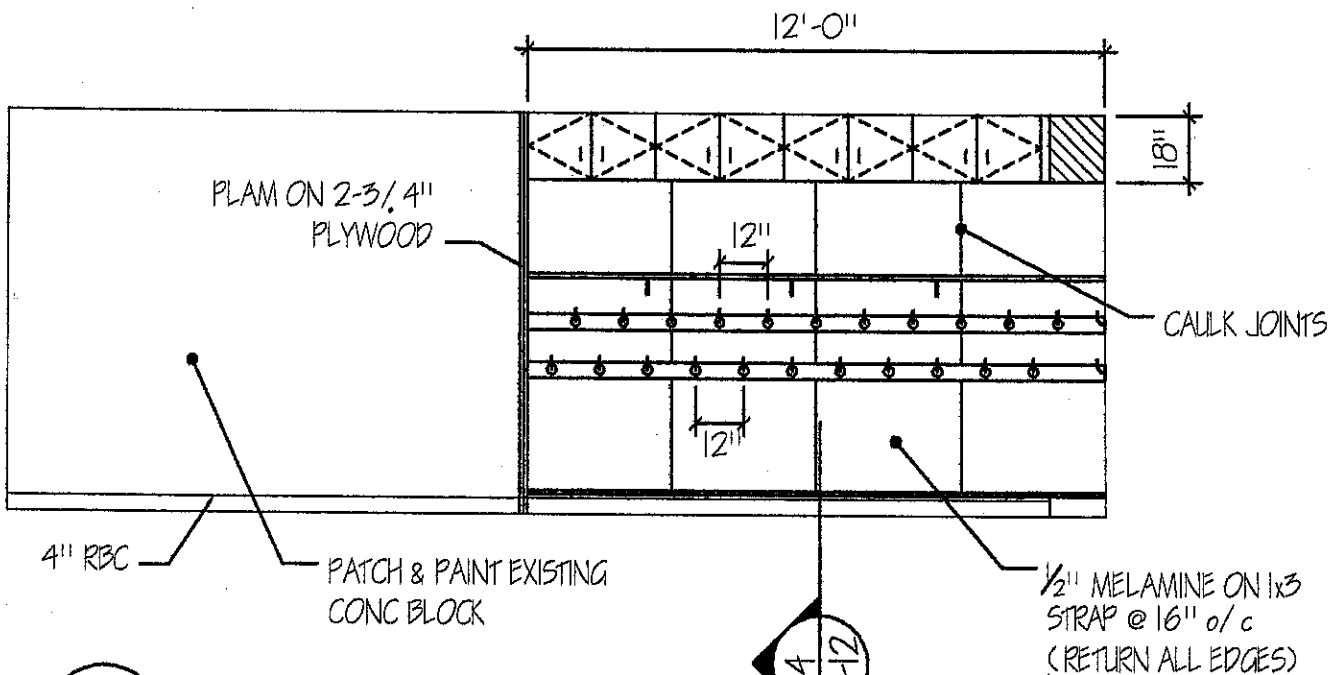
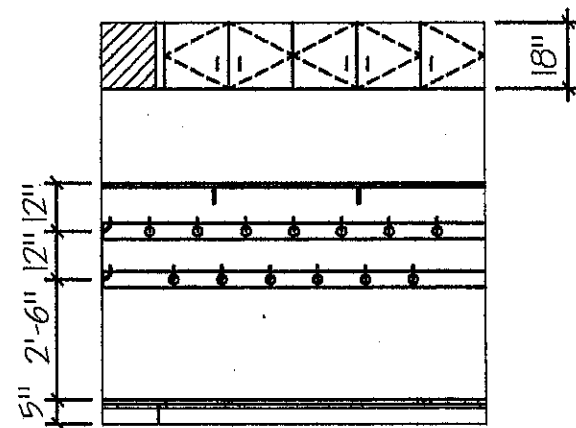


1/2" MELAMINE ON 1x3 STRAP @ 16" o/c (RETURN ALL EDGES)

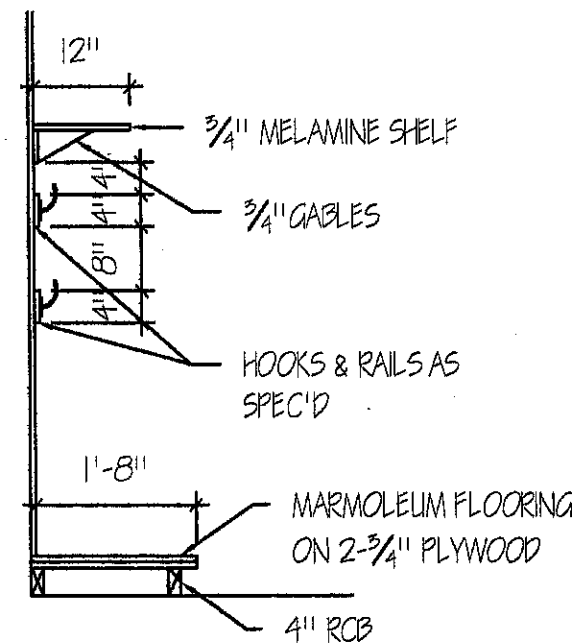
1 EAST ELEVATION
A-12 1/4"=1'0"



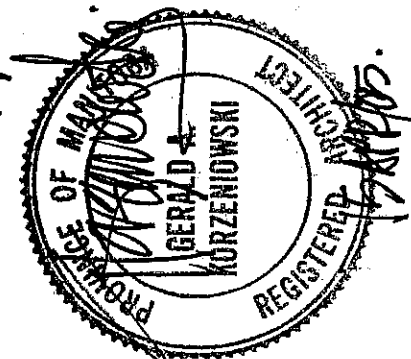
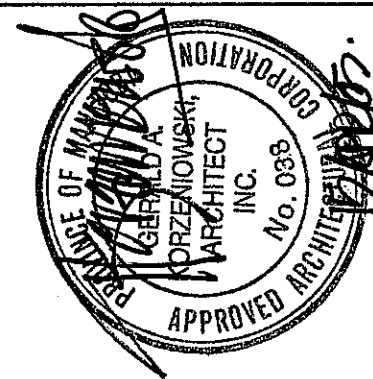
3 WEST ELEVATION
A-12 1/4"=1'0"



2 SOUTH ELEVATION
A-12 1/4"=1'0"



4 SOUTH ELEVATION
A-12 1/2"=1'0"



FILE NO. 2417
SHEET NO. A-12

SHEET TITLE
FOYER INTERIOR ELEVATIONS

SCALE AS NOTED
DATE APR 14/05
DRAWN KLM

PROJECT TITLE
LIVING PRAIRIE MUSEUM
2795 NESS AVE

218 OVERDALE STREET
WINNIPEG, MB. R3J 2G3
PHONE: (204)832-8666
FAX: (204)889-1030

GERALD A. KORZENIOWSKI
ARCHITECT INC.

