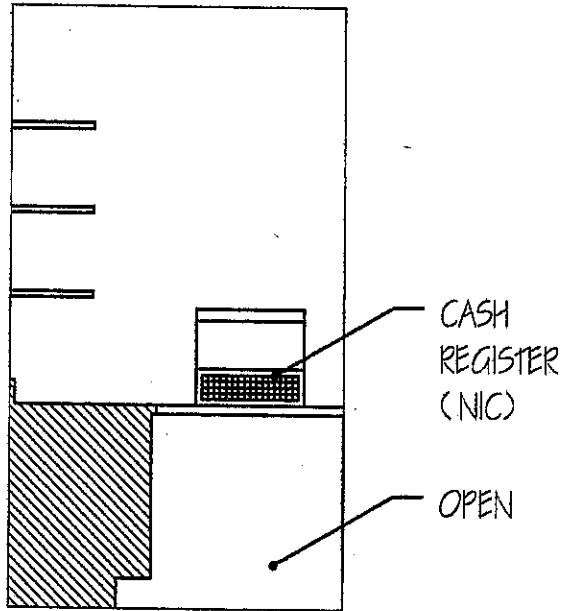
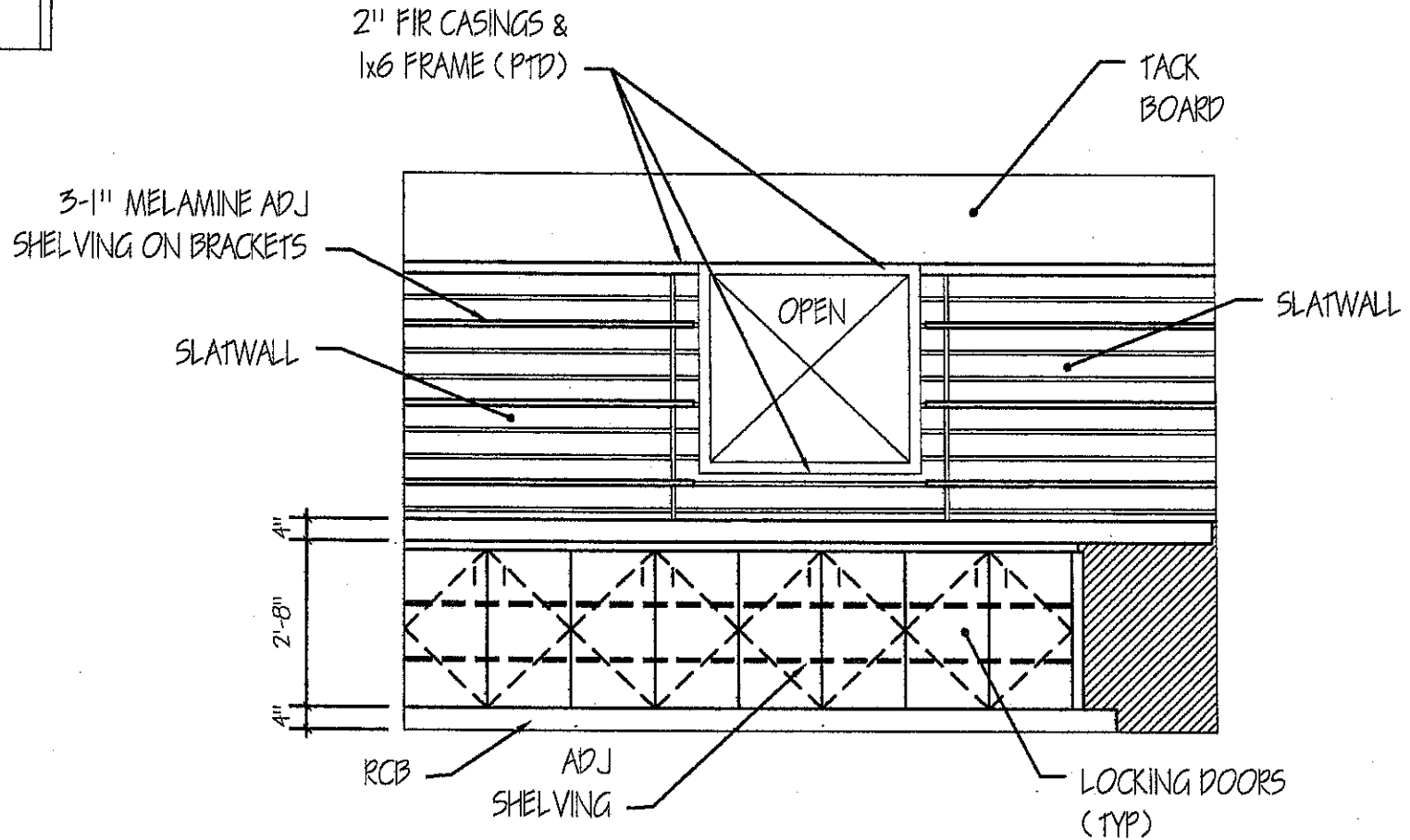


NEW COUNTER - 2-3/4"  
PLYWOOD CLAD IN PLAM

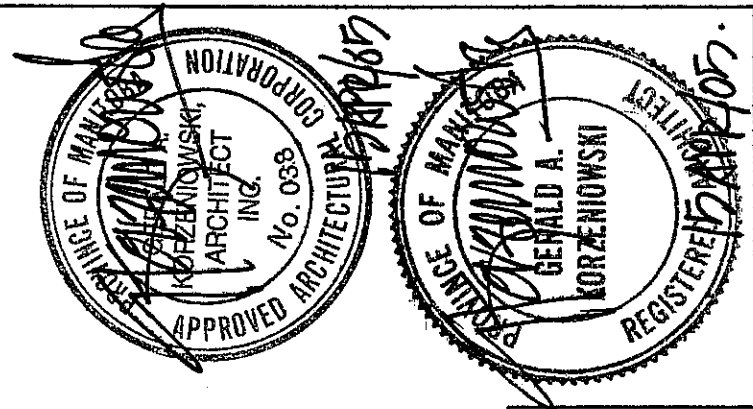
1 NORTH ELEVATION  
A-14 3/8"=1'0"



3 WEST ELEVATION  
A-14 3/8"=1'0"



2 WEST ELEVATION  
A-14 3/8"=1'0"



SHEET TITLE		FILE NO.	SHEET NO.
STORE INTERIOR ELEVATIONS		2417	A-14
SCALE	DATE	DRAWN	
AS NOTED	APR 14/05	KLM	

PROJECT TITLE	218 OVERDALE STREET WINNIPEG, MB. R3J 2G3 PHONE: (204)832-8666 FAX: (204)889-1030
LIVING PRAIRIE MUSEUM 2795 NESS AVE	GERALD A. KORZENIOWSKI ARCHITECT INC.