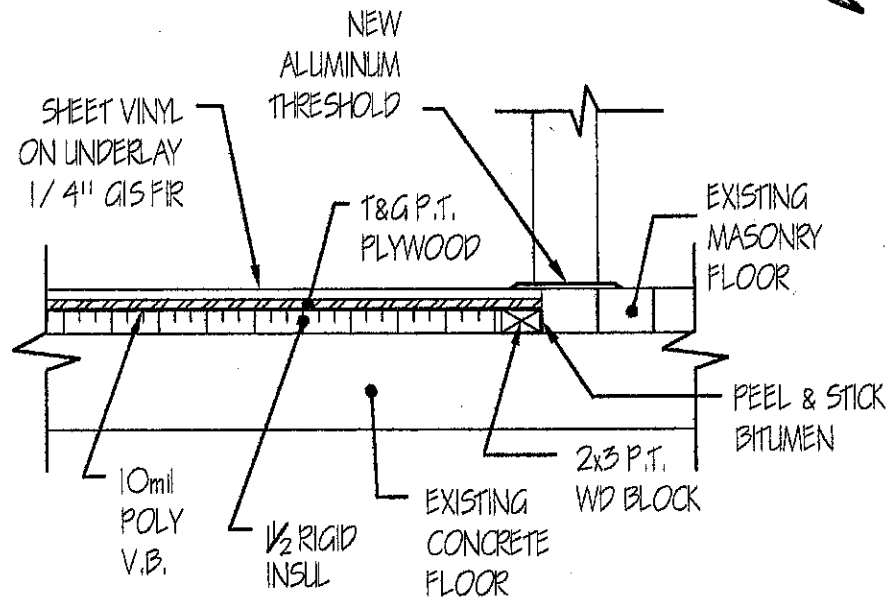


1 PLAN DETAIL @ WING WALL
A-8 1"=1'0"



2 SECTION @ INTERIOR DOOR SILL
A-8 1"=1'0"

FILE NO.	2417
SHEET NO.	A-8
DATE	APR 19/05
DRAWN	KLM
SCALE	AS NOTED

SHEET TITLE
CLASSROOM DETAILS

PROJECT TITLE
LIVING PRAIRIE MUSEUM
2795 NESS AVE

GERALD A. KORZENIOWSKI
ARCHITECT INC.

218 OVERDALE STREET
WINNIPEG, MB. R3J 2G3
PHONE: (204)832-8666
FAX: (204)889-1030