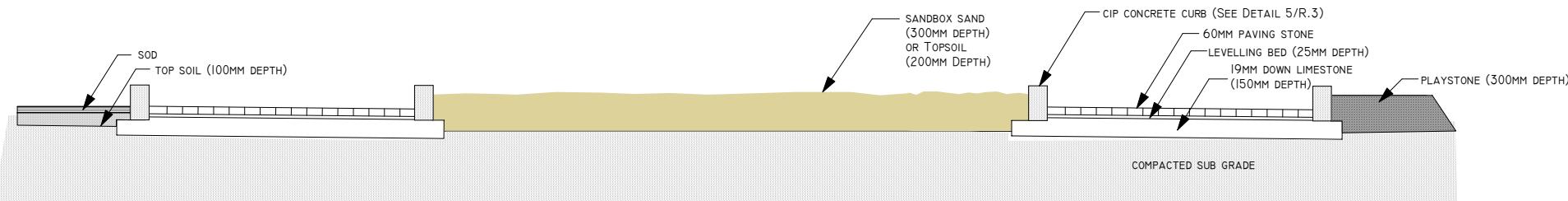
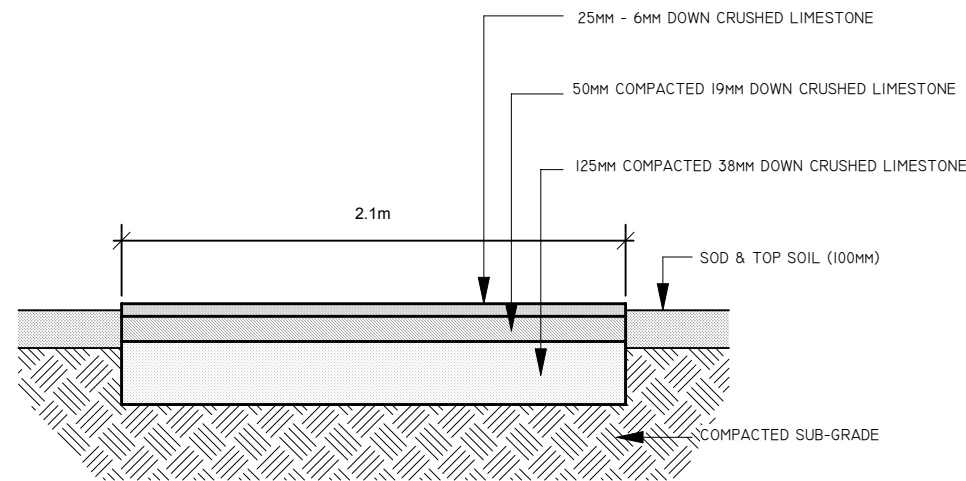


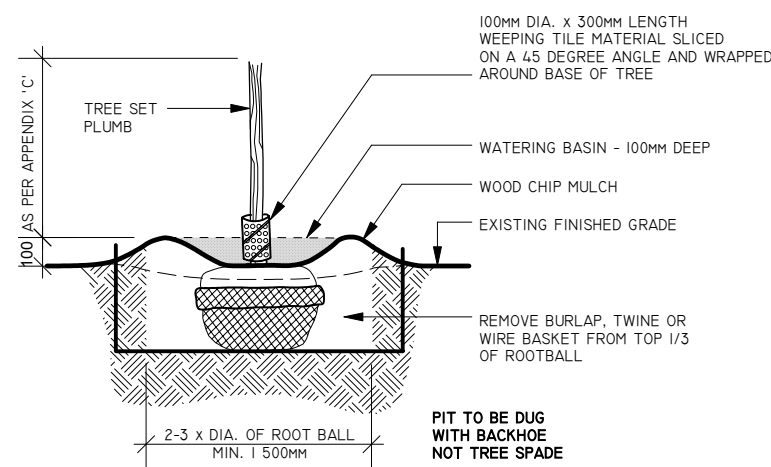
**1 Sandbox / Entrance Garden Plan**  
R.3 1:50



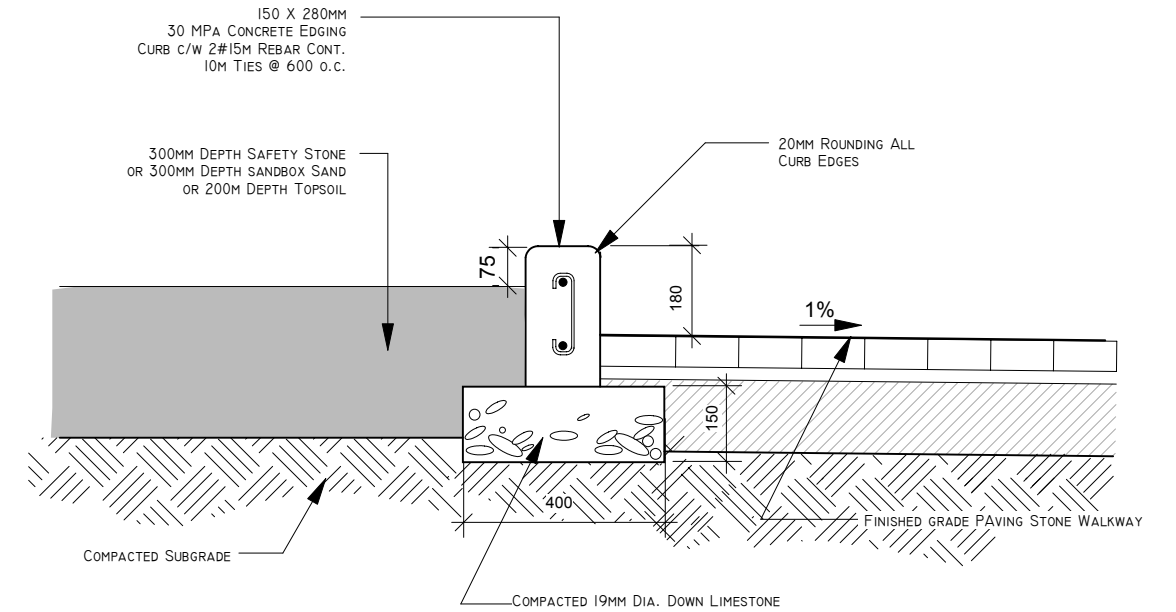
**2 Sandbox / Entrance Garden Section**  
R.3 1:50



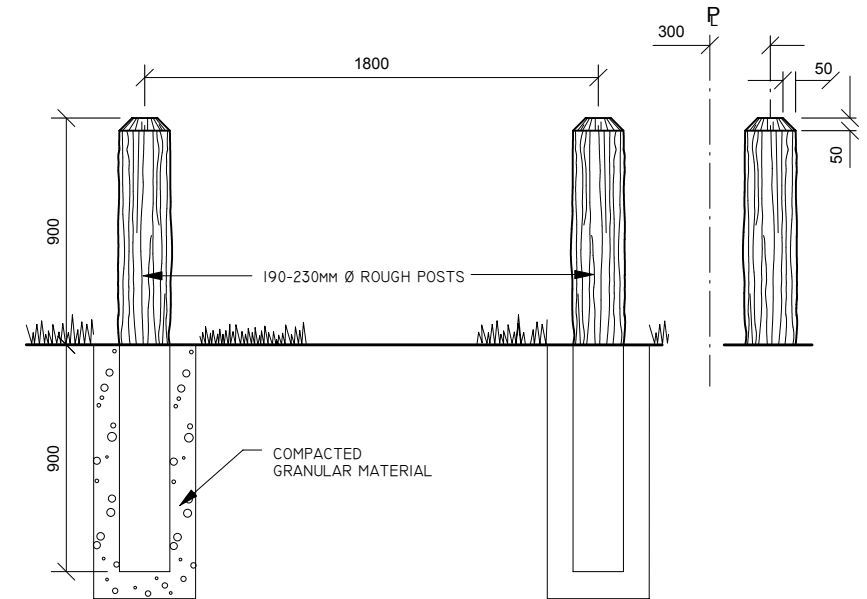
**3 Limestone Path Detail**  
R.3 1:15



**4 Tree Planting Detail**  
R.3 1:50



**5 Concrete Curbing Detail**  
R.3 1:15



**6 Wooden Bollard Detail**  
R.3 1:30

LOCATION OF UNDERGROUND STRUCTURES AS SHOWN ARE BASED ON THE BEST INFORMATION AVAILABLE BUT NO GUARANTEE IS GIVEN THAT ALL EXISTING UTILITIES ARE SHOWN OR THAT THE GIVEN LOCATIONS ARE EXACT. CONFIRMATION OF EXISTENCE AND EXACT LOCATION OF ALL SERVICES MUST BE OBTAINED FROM THE INDIVIDUAL UTILITIES BEFORE PROCEEDING WITH CONSTRUCTION.

DESIGNED BY	CHECKED BY	APPROVED BY
DRAWN BY DWS/CH	RELEASED FOR CONSTRUCTION	
HORIZ. SCALE VERT. SCALE AS NOTED		
DATE Apr/05	MANAGER, PLANNING AND LAND USE DIVISION	DATE

DRAWING TITLE	CAD DRAWING NO.
<b>ROTARY CENTENARY PARK DETAILS</b>	DRAWING NO. <b>R.3</b>