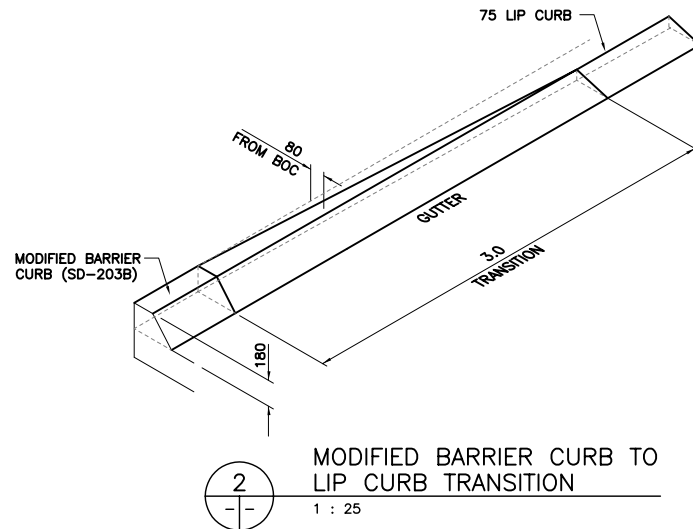
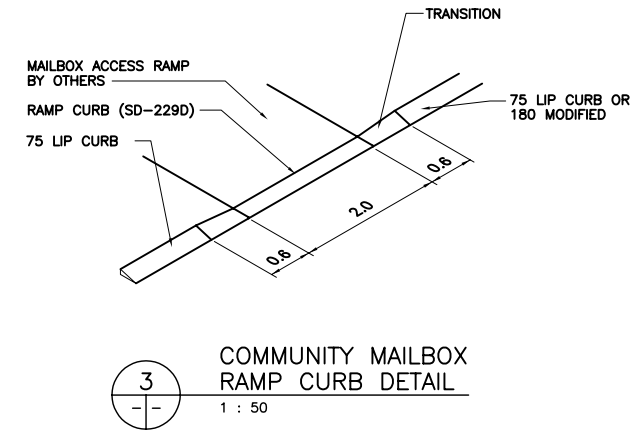


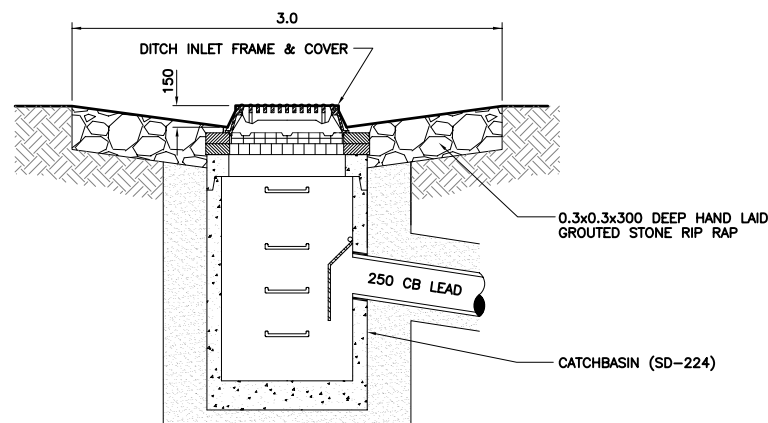
1 TYPICAL SERVICES DETAIL
1 : 25



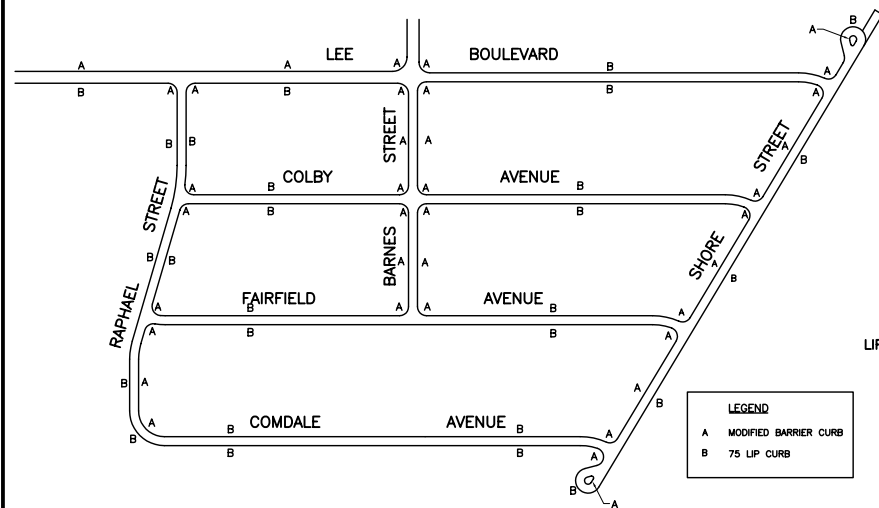
2 MODIFIED BARRIER CURB TO LIP CURB TRANSITION
1 : 25



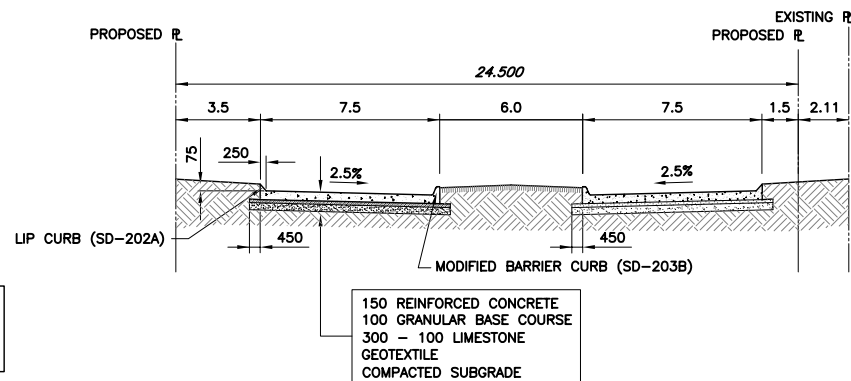
3 COMMUNITY MAILBOX RAMP CURB DETAIL
1 : 50



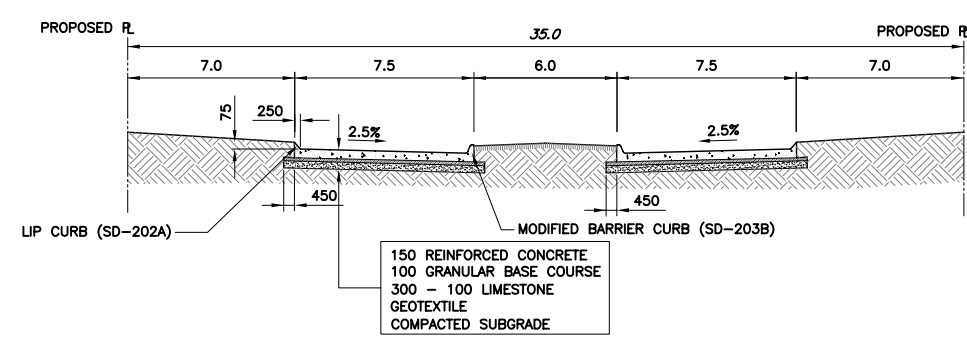
5 DITCH INLET DETAIL IN SECTION
1 : 25



4 CURB TYPE PLAN
1 : 3000



A SOUTH CUL-DE-SAC SHORE STREET RIGHT OF WAY CROSS SECTION
HOR. 1 : 150, VER. 1 : 75



B NORTH CUL-DE-SAC SHORE STREET RIGHT OF WAY CROSS SECTION
HOR. 1 : 150, VER. 1 : 75

APEGM
Certificate of Authorization
Wardrop Engineering Inc.
No. 195 Expiry: April 30, 2006

B.M. CITY OF WINNIPEG No. 82-020 ELEV. 32.892m		F.B. No. 2078		WARDROP Engineering Inc.	
DESIGNED BY	GL./GS	CHECKED BY			
DRAWN BY	NL./GMD	APPROVED BY			
ISSUED FOR TENDER	05.04.11	GS			
ISSUED FOR APPROVAL	05.04.08	GS			
HOR. SCALE:	AS NOTED		RELEASED FOR CONSTRUCTION		
VERTICAL:			DATE	05.03.29	
NO. REVISIONS		DATE			
				CONSULTANT DRAWING NO. 05129401-DWG-C1016	

THE CITY OF WINNIPEG
PLANNING, PROPERTY AND DEVELOPMENT

FAIRFIELD PARK LOCAL IMPROVEMENT DISTRICT
STAGES II, III & IV

CITY DRAWING NUMBER
LD-3137

SHEET **16** OF **16**

TYPICAL CROSS SECTIONS AND DETAILS

C1016