

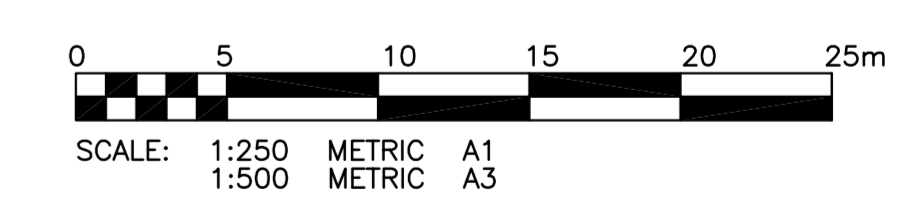
- NOTES:
1. ADJUST MH AND CB RIMS TO NEW GRADES.
 2. AVOID DAMAGE TO EXISTING TREES WITHIN THE LIMITS OF CONSTRUCTION.
 3. REGRADE EXISTING PRIVATE SIDEWALKS AS REQUIRED.
 4. LIGHT STANDARDS, HYDRO POLES AND ANCHORS MAY REQUIRE TEMPORARY SUPPORT/REMOVAL OR REPLACEMENT AT THE CONTRACTORS EXPENSE.
 5. PLUG SUBDRAINS AT TERMINAL ENDS.
 6. CHAINAGE ALONG ALLEY CENTERLINE.
 7. ISOLATE ALL POLES, BASES AND PILES WITHIN ALLEY RIGHT-OF-WAY (SD-228C)

WARNING

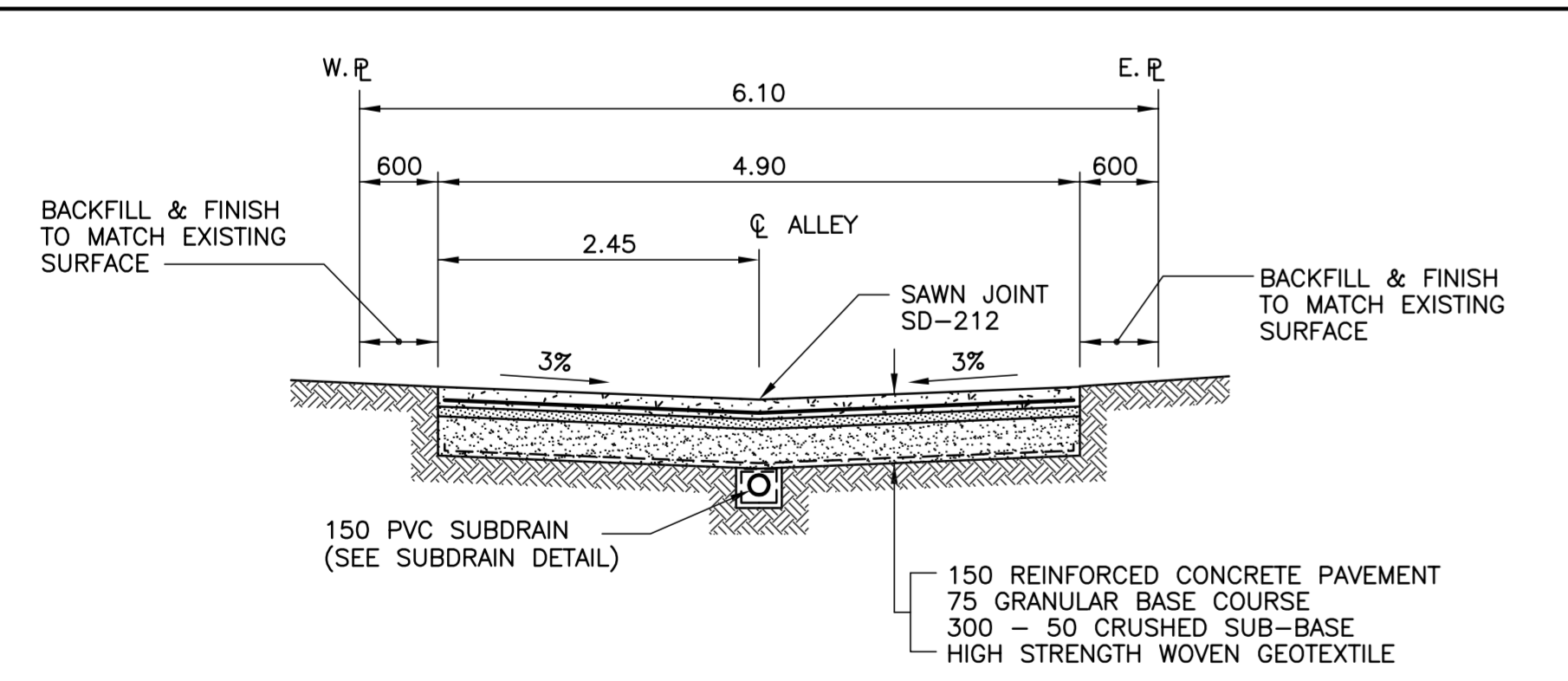
IF POWER EQUIPMENT OR EXPLOSIVES ARE TO BE USED FOR EXCAVATION ON THIS PROJECT THE CONTRACTOR MUST:
 1) NOTIFY THE GAS COMPANY OF THE PROPOSED LOCATION OF EXCAVATION.
 2) TAKE PRECAUTION TO AVOID DAMAGE TO GAS COMPANY INSTALLATIONS.
 SEE PROVINCIAL REGULATION 210/72 FOR DETAILS.

METRIC

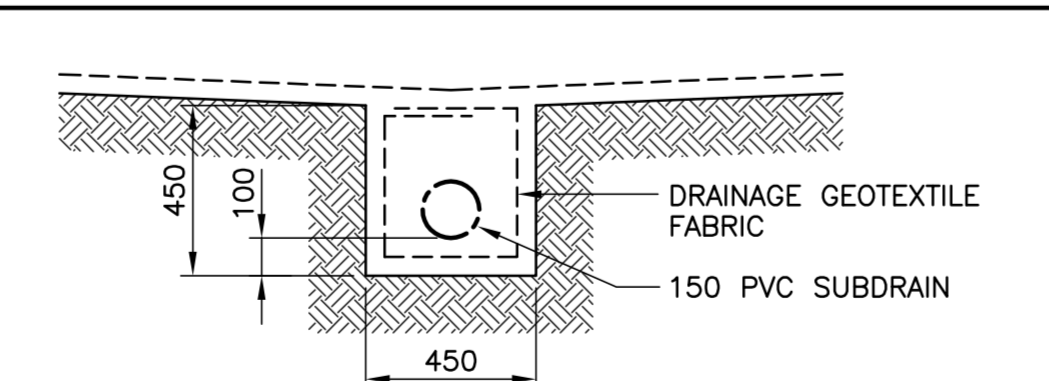
WHOLE NUMBERS INDICATE MILLIMETRES
 DECIMALIZED NUMBERS INDICATE METRES



BID OPPORTUNITY NO. 200-2005



TYPICAL ALLEY CROSS SECTION
SCALE: 1:50



SUBDRAIN DETAIL
SCALE: 1:20

SUB-DRAIN		POLES		T-MIS		H-HYDRO	
300 LBS	LAND DRAINAGE SEWER	•	TEST HOLE	⊕	WATERMAIN	⊕	WATERMAIN
250 WWS	WASTE WATER SEWER	⊕	GUY WIRE	⊕	M.T.S.	⊕	M.T.S.
---	GAS	⊕	LIGHT STANDARD	⊕	150 WM	⊕	150 WM
---	HYDRO	⊕	BACK OF CURB	⊕	---	---	---
---	M.T.S.	⊕	CONCRETE	⊕	---	---	---
---	WATERMAIN	⊕	ASPHALT	⊕	---	---	---
⊕	HYDRANT	⊕	SIDEWALK	⊕	---	---	---
⊕	VALVE	⊕	PROPERTY LINE	⊕	---	---	---
⊕	MANHOLE	⊕	SURVEY BAR	⊕	---	---	---
⊕	CATCH BASIN	⊕	GEODETIC BENCHMARK	⊕	---	---	---
▽	CURB INLET	⊕	ELEVATION	⊕	---	---	---
---	LEGEND-PLAN	---	LEGEND-PLAN	---	---	---	---
---	PROPOSED	---	PROPOSED	---	---	---	---
---	EXISTING	---	EXISTING	---	---	---	---

LOCATION APPROVED UNDERGROUND STRUCTURES

SUPV. U/G STRUCTURES DATE COMMITTEE

NOTE: LOCATION OF UNDERGROUND STRUCTURES AS SHOWN ARE BASED ON THE BEST INFORMATION AVAILABLE BUT NO GUARANTEE IS GIVEN THAT ALL EXISTING UTILITIES ARE SHOWN OR THAT THE GIVEN LOCATIONS ARE EXACT. CONFIRMATION OF EXISTENCE AND EXACT LOCATION OF ALL SERVICES MUST BE OBTAINED FROM THE INDIVIDUAL UTILITIES BEFORE PROCEEDING WITH CONSTRUCTION.

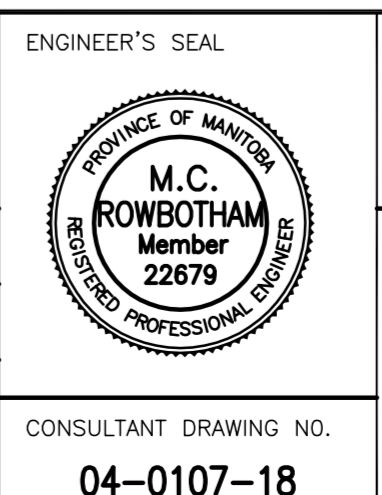
NO.	ISSUED FOR TENDER	DATE	BY
0	ISSUED FOR TENDER	05/04/04	CR
NO.	REVISIONS	DATE	BY

KGS GROUP CONSULTING ENGINEERS & PROJECT MANAGERS
 WINNIPEG (204) 896-1209
 THUNDER BAY (807) 345-2233

DESIGNED BY: C.R. CHECKED BY: []
 DRAWN BY: A.M. APPROVED BY: []

HOR. SCALE: 1:250
 VERTICAL: 1:10

RELEASED FOR CONSTRUCTION: []
 DATE: APRIL 04, 2005



THE CITY OF WINNIPEG
 PUBLIC WORKS DEPARTMENT
 ENGINEERING SERVICES DIVISION

PROJECT TITLE: 2005 ALLEY RENEWAL PROGRAM
 QUEENSTON / NIAGARA ALLEY
 PAVEMENT RECONSTRUCTION

SHEET 05 OF 08
 COMPUTER FILE NAME: QUEENSTON-PLOT-REVO.DWG
 CITY DRAWING NUMBER: 0005

CONSULTANT DRAWING NO. 04-0107-18

P:\Projects\2004\04-0107-18\Wm\Drawings\20050404 ISSUED FOR TENDER\QUEENSTON-PLOT-REVO.DWG