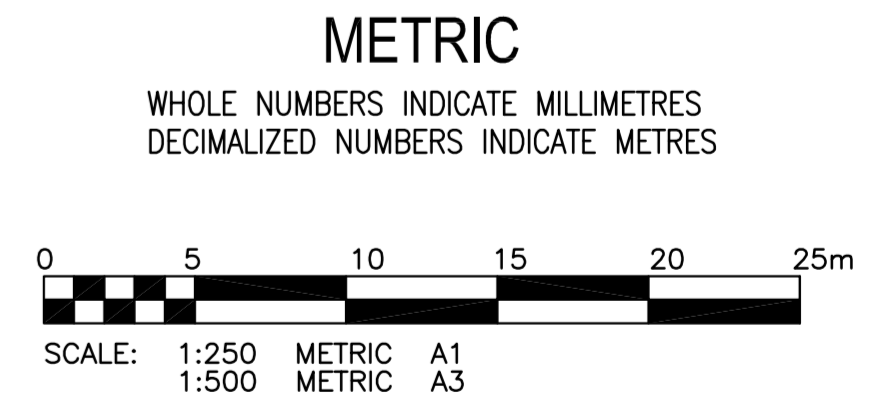
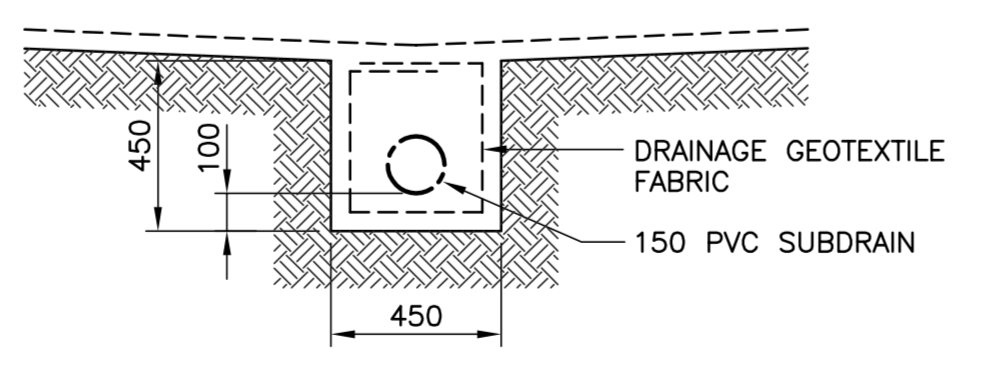
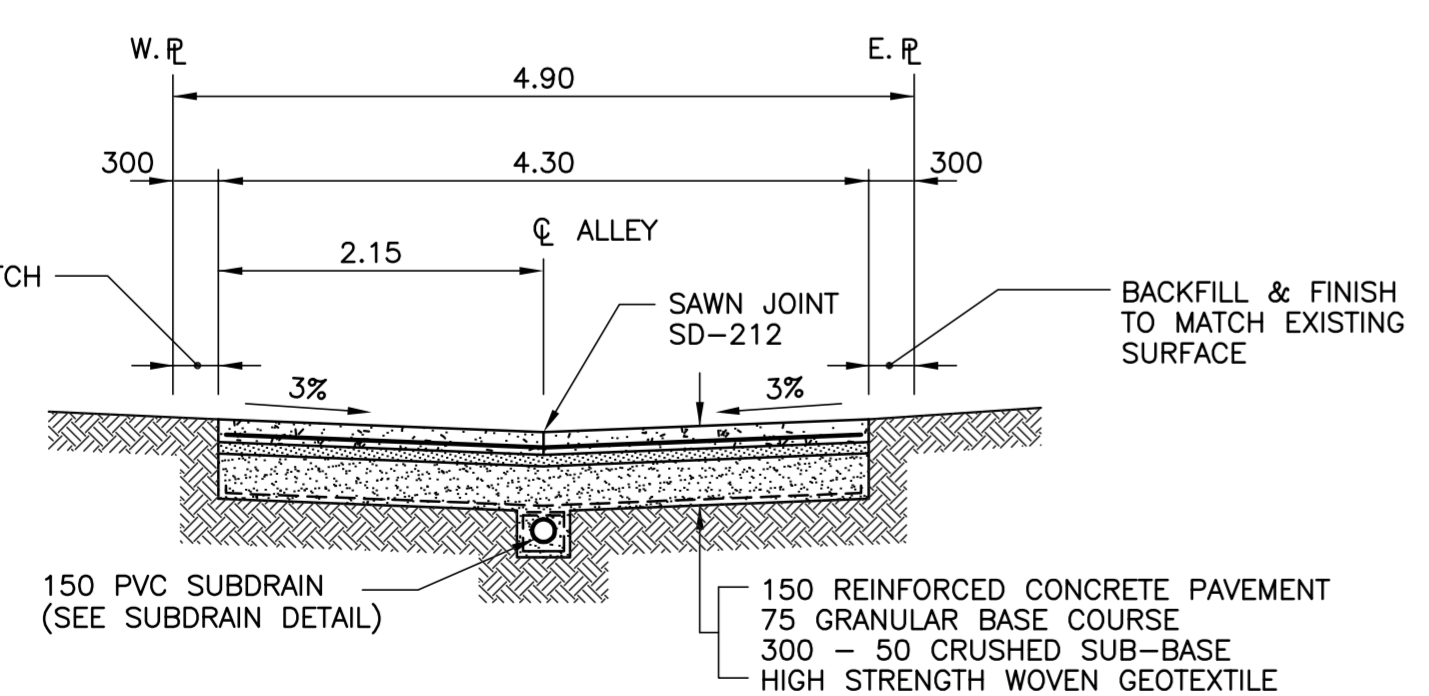


- NOTES:
1. ADJUST MH AND CB RIMS TO NEW GRADES.
 2. AVOID DAMAGE TO EXISTING TREES WITHIN THE LIMITS OF CONSTRUCTION.
 3. REGRADE EXISTING PRIVATE SIDEWALKS AS REQUIRED.
 4. LIGHT STANDARDS, HYDRO POLES AND ANCHORS MAY REQUIRE TEMPORARY SUPPORT/ REMOVAL OR REPLACEMENT AT THE CONTRACTOR'S EXPENSE.
 5. PLUG SUBDRAINS AT TERMINAL ENDS.
 6. MAINTAIN ACCESS TO #646 AGNES AND #671 VICTOR DURING PHASE 1.
 7. MAINTAIN ACCESS TO #642 AGNES AND #667 VICTOR DURING PHASE 2.
 8. CHAINAGE ALONG ALLEY CENTERLINE.
 9. ISOLATE ALL POLES, BASES AND PILES WITHIN ALLEY RIGHT-OF-WAY (SD-228C)

WARNING

IF POWER EQUIPMENT OR EXPLOSIVES ARE TO BE USED FOR EXCAVATION ON THIS PROJECT THE CONTRACTOR MUST:

- 1) NOTIFY THE GAS COMPANY OF THE PROPOSED LOCATION OF EXCAVATION.
- 2) TAKE PRECAUTION TO AVOID DAMAGE TO GAS COMPANY INSTALLATIONS. SEE PROVINCIAL REGULATION 210/72 FOR DETAILS.



TYPICAL ALLEY CROSS SECTION
SCALE: 1:50

SUBDRAIN DETAIL
SCALE: 1:20

SUB-DRAIN	SUB-DRAIN	SUB-DRAIN	POLES	TEST HOLE	DATE
300 LBS	LAND DRAINAGE SEWER	300 LBS	1-MIS	GUY WIRE	
250 WWS	WASTE WATER SEWER	250 WWS	1-HYDR	LIGHT STANDARD	
	GAS			BACK OF CURB	
	HYDRO			CONCRETE	
	M.T.S.			ASPHALT	
150 WM	WATERMAIN	150 WM		SIDEWALK	
	HYDRANT			PROPERTY LINE	
	VALVE			SURVEY BAR	
	MANHOLE			GEODETIC BENCHMARK	
	CATCH BASIN			ELEVATION	
	CURB INLET			32.231	
EXISTING	LEGEND-PLAN	PROPOSED	EXISTING	LEGEND-PROFILE	PROPOSED

LOCATION APPROVED
UNDERGROUND STRUCTURES

SUPV. U/G STRUCTURES DATE COMMITTEE

NOTE:
LOCATION OF UNDERGROUND STRUCTURES AS SHOWN ARE BASED ON THE BEST INFORMATION AVAILABLE BUT NO GUARANTEE IS GIVEN THAT ALL EXISTING UTILITIES ARE SHOWN OR THAT THE GIVEN LOCATIONS ARE EXACT. CONFIRMATION OF EXISTENCE AND EXACT LOCATION OF ALL SERVICES MUST BE OBTAINED FROM THE INDIVIDUAL UTILITIES BEFORE PROCEEDING WITH CONSTRUCTION.

NO.	ISSUED FOR TENDER	DATE	BY
0	ISSUED FOR TENDER	05/04/04	CR
	REVISIONS	DATE	BY

KGS GROUP
CONSULTING ENGINEERS & PROJECT MANAGERS
WINNIPEG (204) 896-1209
THUNDER BAY (807) 345-2233

DESIGNED BY: C.R.
DRAWN BY: A.M.
HOR. SCALE: 1:250
VERTICAL: 1:10

CHECKED BY:
APPROVED BY:
RELEASED FOR CONSTRUCTION:

DATE: APRIL 04, 2005

ENGINEER'S SEAL

M.C. ROWBOTHAM
Member
22679

CONSULTANT DRAWING NO. 04-0107-18

BID OPPORTUNITY NO. 200-2005

THE CITY OF WINNIPEG
PUBLIC WORKS DEPARTMENT
ENGINEERING SERVICES DIVISION

PROJECT TITLE: 2005 ALLEY RENEWAL PROGRAM
VICTOR / AGNES ALLEY
PAVEMENT RECONSTRUCTION

SHEET 06 OF 08
COMPUTER FILE NAME: VICTOR-PLOT-REVO.DWG
CITY DRAWING NUMBER: 0006

P:\Projects\2004\04-0107-18\Wm\Drawings\20050404 ISSUED FOR TENDER VICTOR-PLOT-REVO.DWG