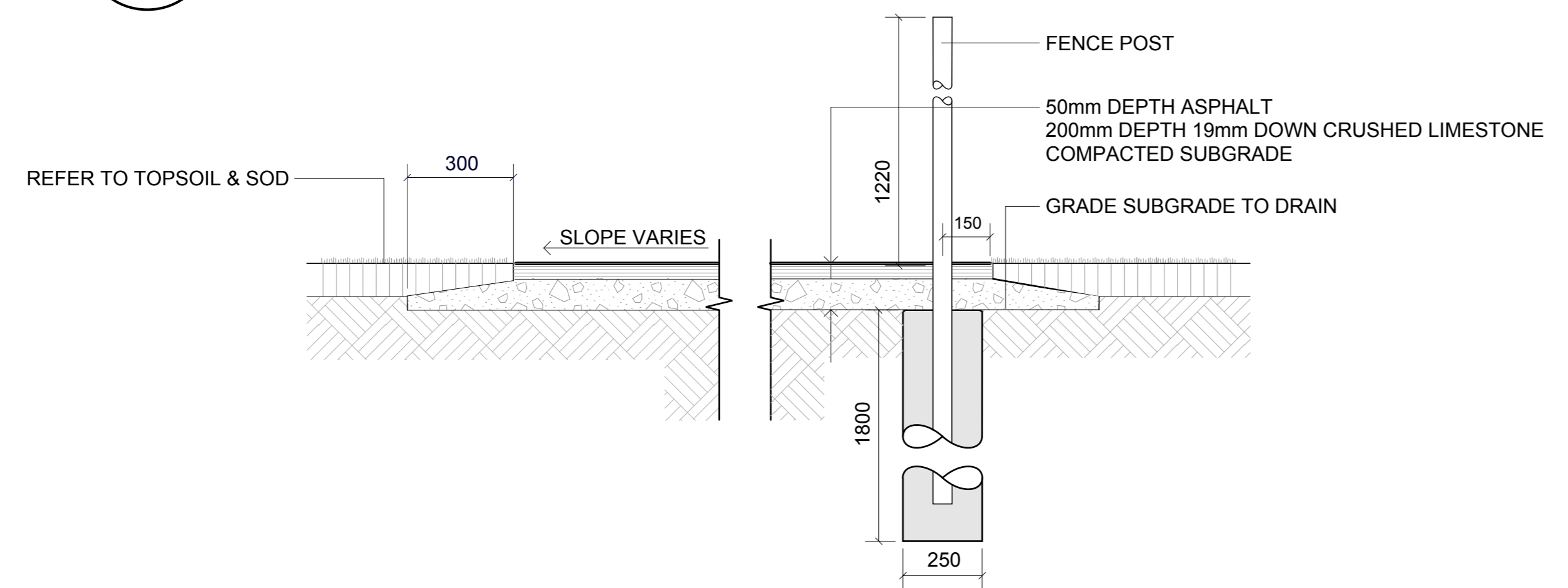
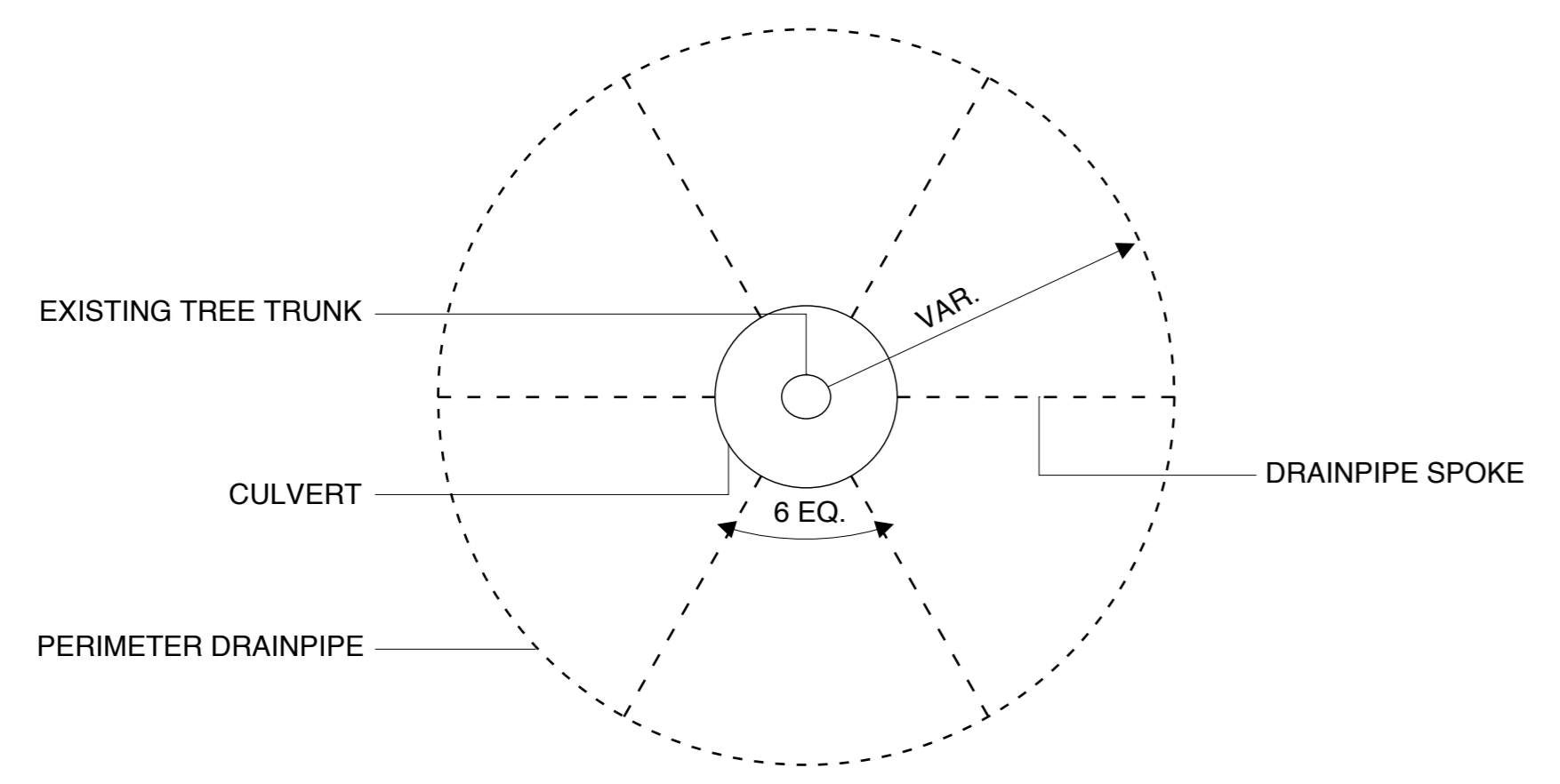


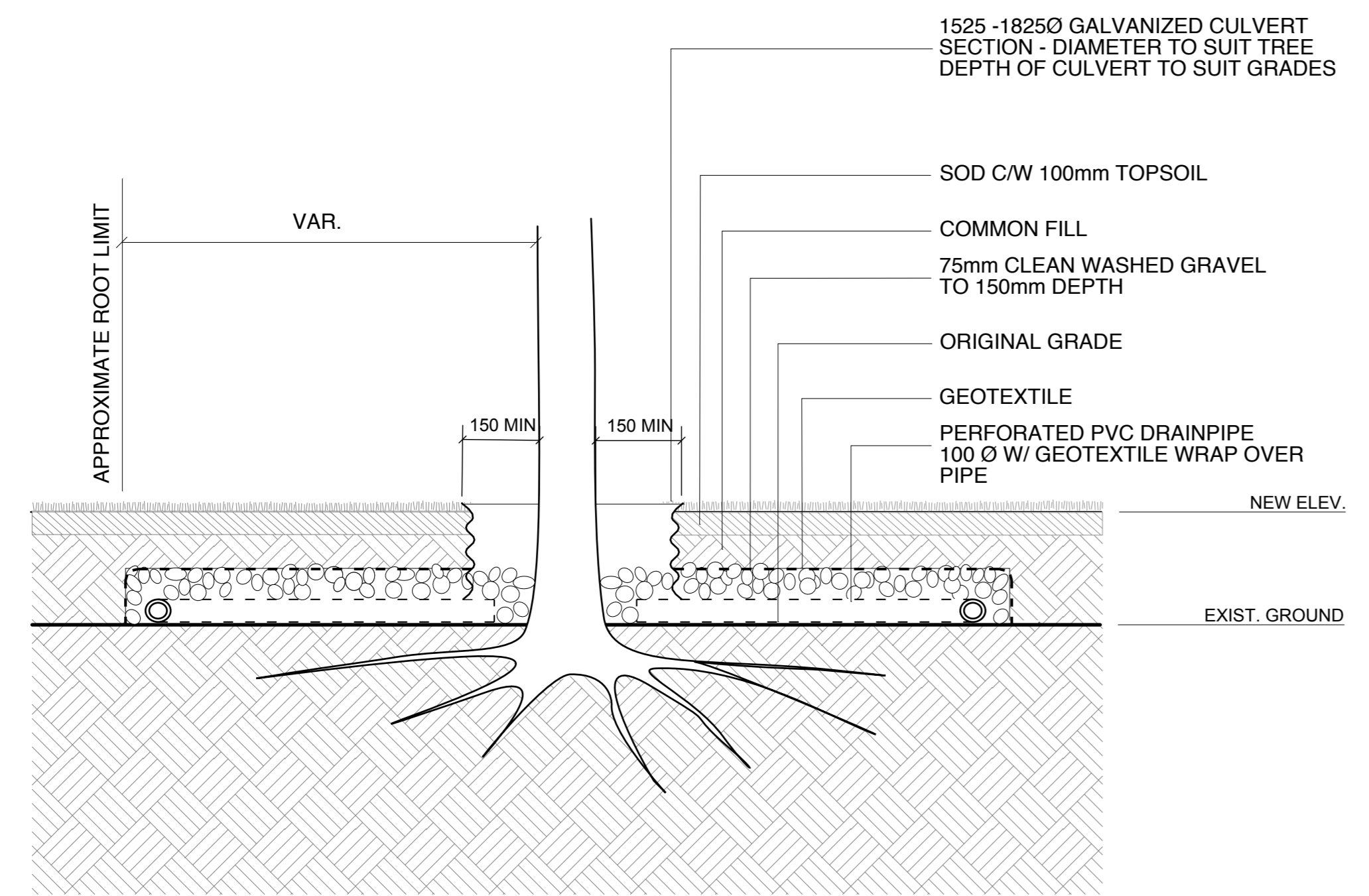
1 TOPSOIL, SOD & SHRUB PLANTING DETAIL
SCALE: 1:15



2 TYP. ASPHALT PAVING
SCALE: N.T.S.

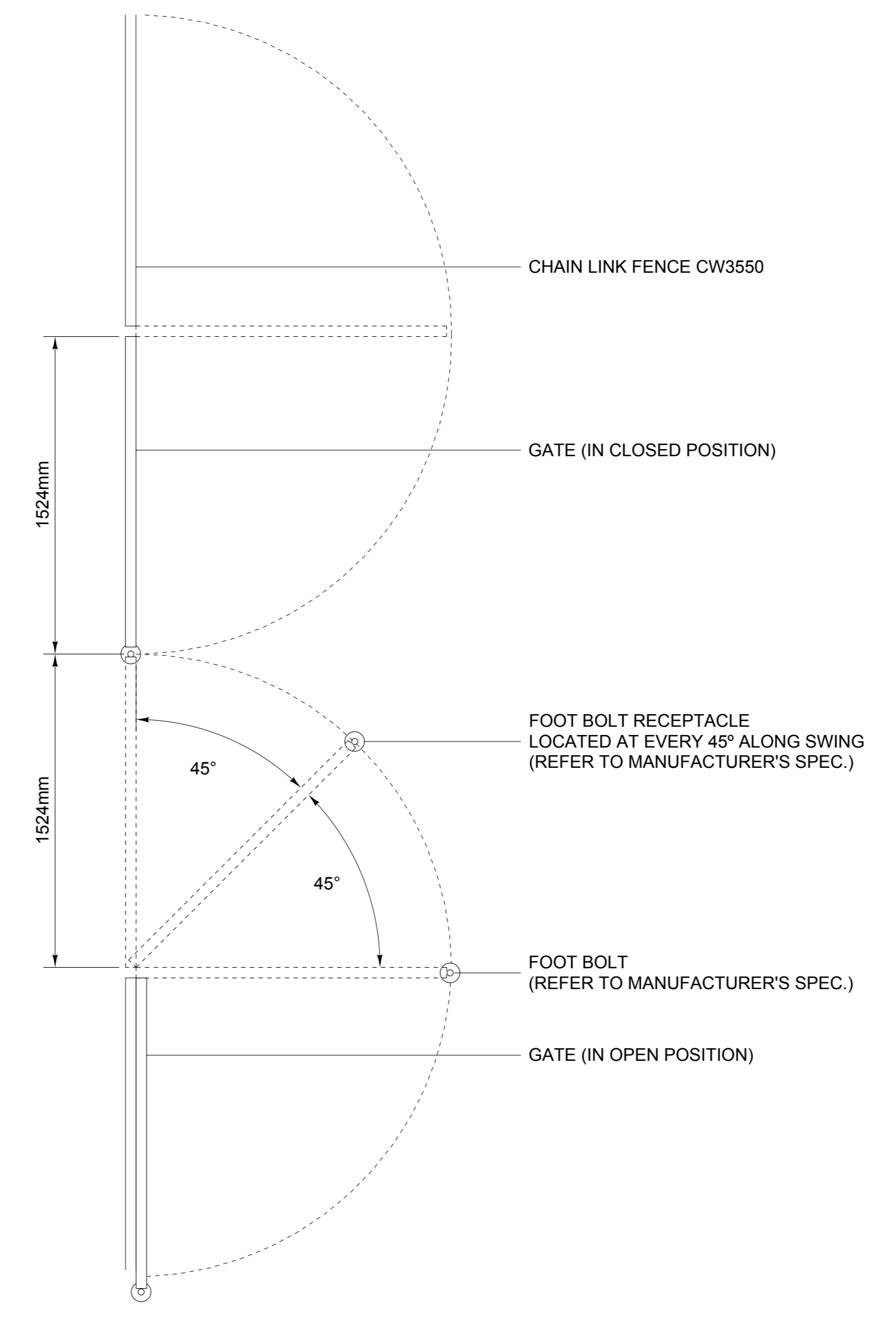


PLAN



SECTION

3 AIR LAYERING SYSTEM
SCALE: N.T.S.



4 CHAIN LINK GATE PLAN
SCALE: N.T.S.

GENERAL NOTES:

1. Customer responsible for staking all shrub bed locations and shrubs. Layout to be approved by contract administrator prior to installation.
2. All dimensions in millimetres except where otherwise noted.

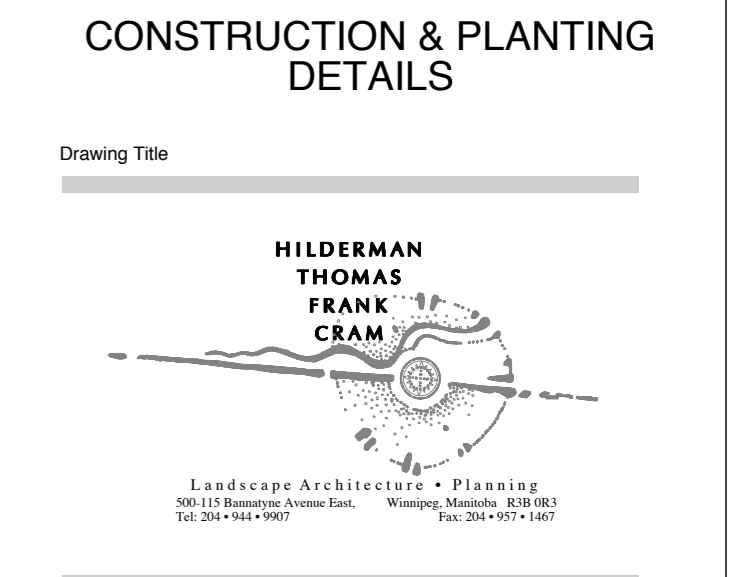
No.	Revision	Date
7	ISSUED FOR TENDER	FEB 2006
6	PRE-TENDER REVIEW	JAN 13 06
5	PRE-TENDER REVIEW	DEC 21 05
4	ISSUED FOR TENDER	SEP 15 05
3	MATERIALS & METHOD SUBMISSION	AUG 20 05
2	95% CD SUBMISSION	JULY 14 05
1	90% CD SUBMISSION	OCT 21 04



THIS DRAWING MUST NOT BE SCALED.
THE CONTRACTOR SHALL VERIFY ALL DIMENSIONS, DATUMS AND LEVELS PRIOR TO COMMENCEMENT OF WORK. ALL ERRORS AND OMISSIONS TO BE REPORTED IMMEDIATELY TO THE CONTRACT ADMINISTRATOR.
VARIATIONS & MODIFICATIONS TO WORK SHOWN ON THESE DRAWINGS SHALL NOT BE CARRIED OUT WITHOUT WRITTEN PERMISSION FROM THE CONTRACT ADMINISTRATOR.
THIS DRAWING IS THE EXCLUSIVE PROPERTY OF THE CONTRACT ADMINISTRATOR AND CAN BE REPRODUCED ONLY WITH THE PERMISSION OF THE CONTRACT ADMINISTRATOR. IN ANY CASE THE REPRODUCTION MUST BEAR THEIR NAME AS CONTRACT ADMINISTRATOR.

VIMY RIDGE MEMORIAL PARK PLAYGROUND AREA

CONSTRUCTION & PLANTING DETAILS



Drawn	TG/MB	Approved	HC
Scale	AS NOTED	Date	3/3/06
Job	04 032	Drawing	L-09