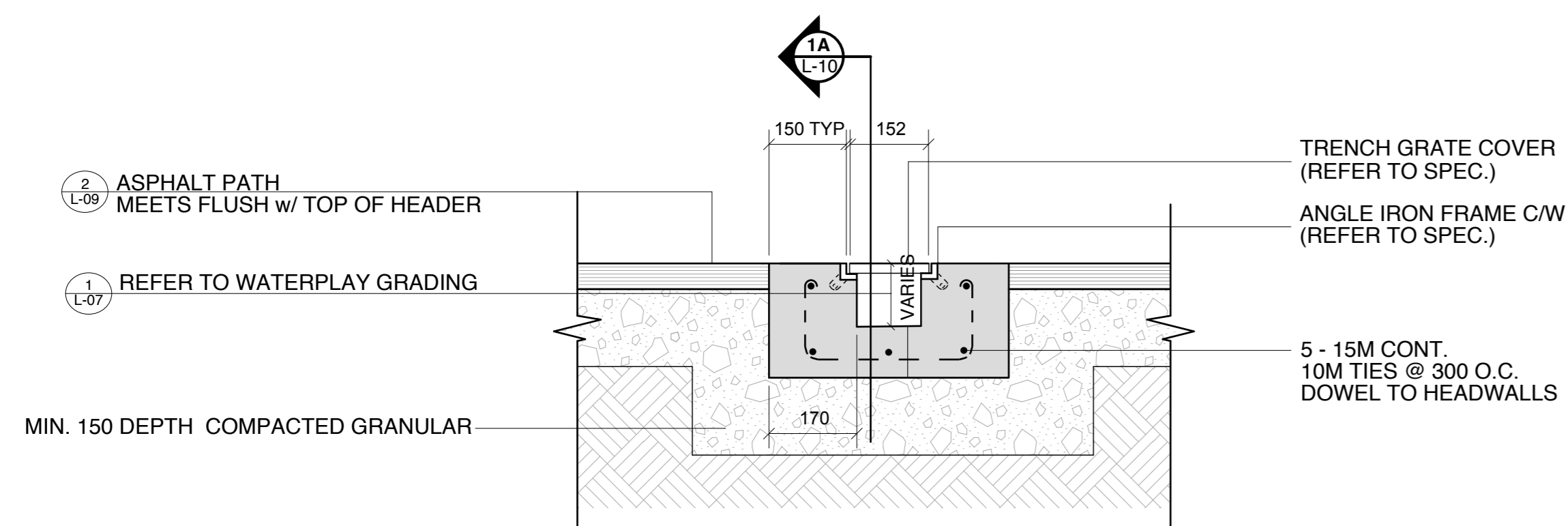
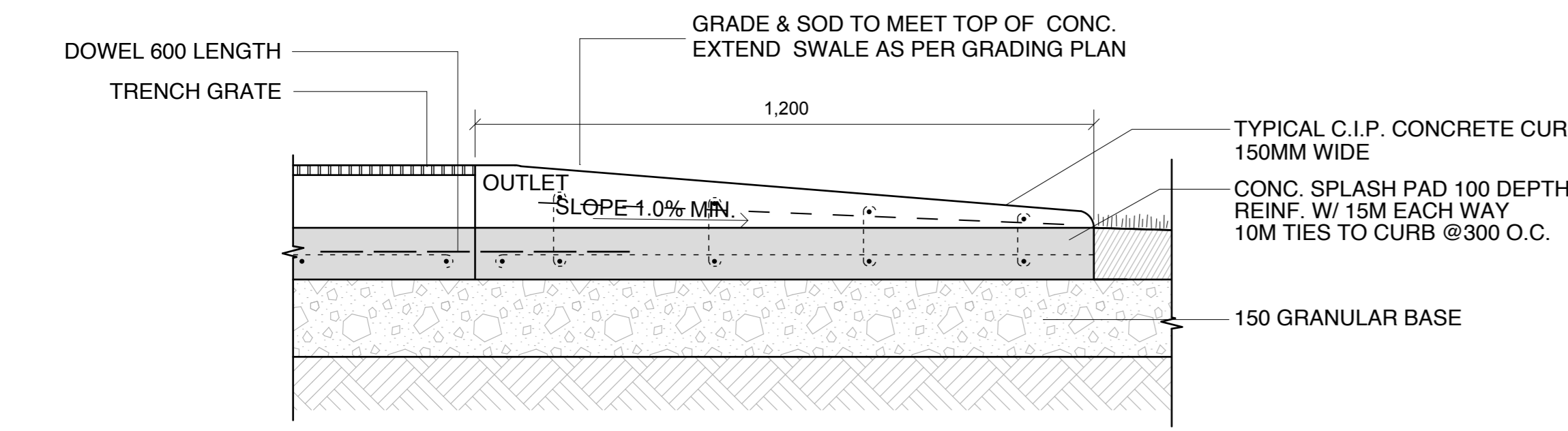


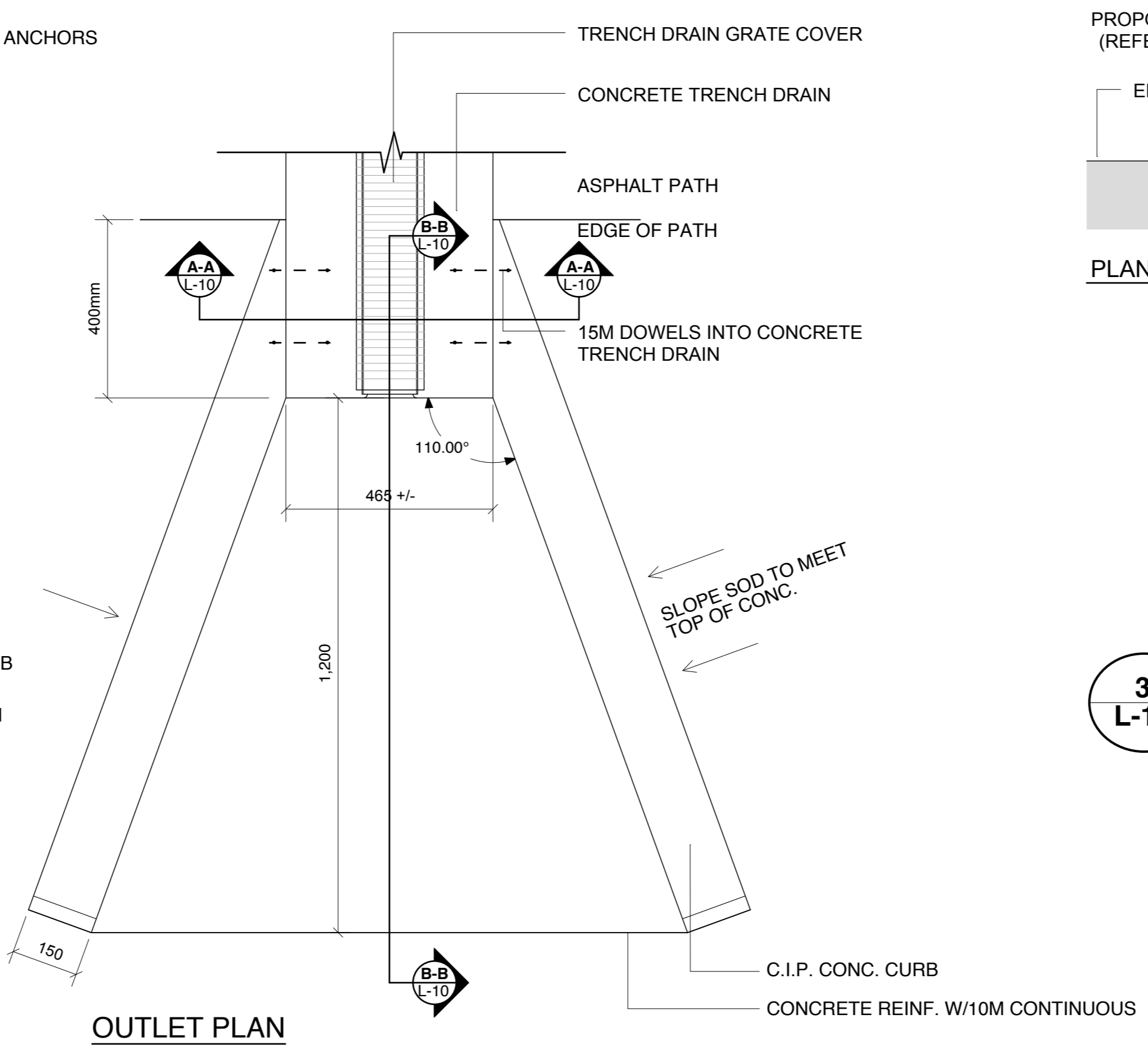
GENERAL NOTES:
1. All dimensions in millimetres except where otherwise noted.



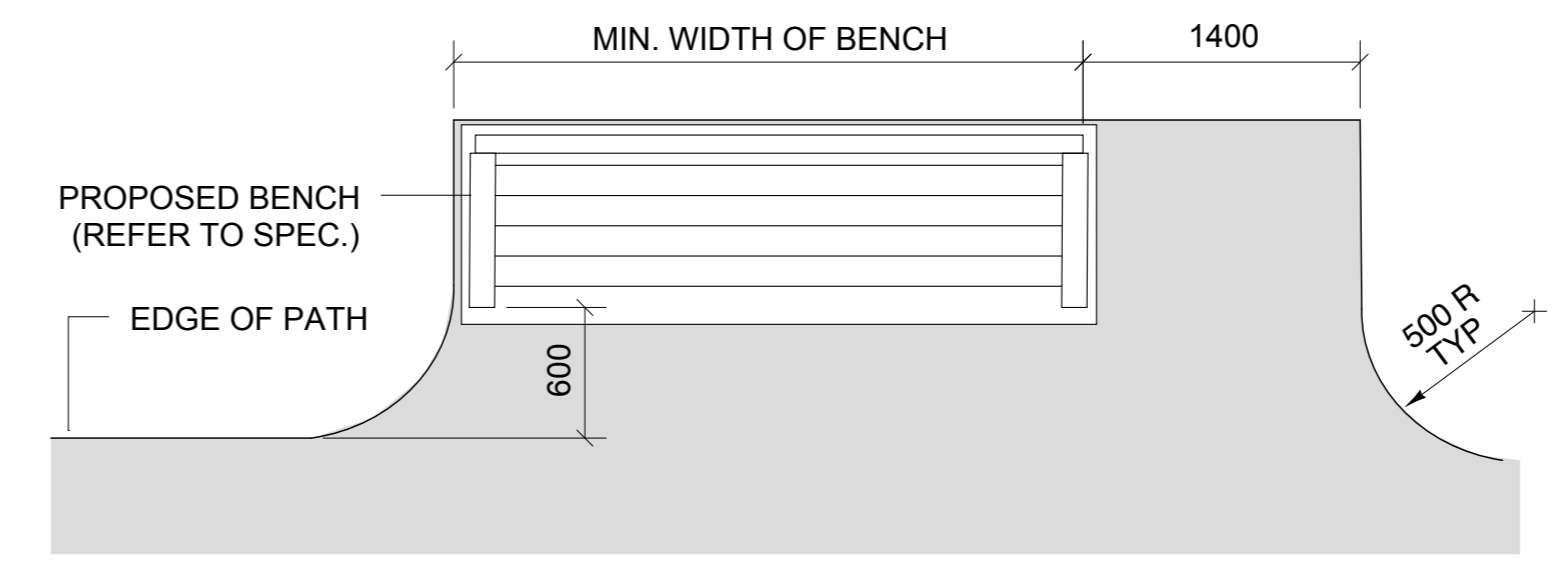
SECTION A-A



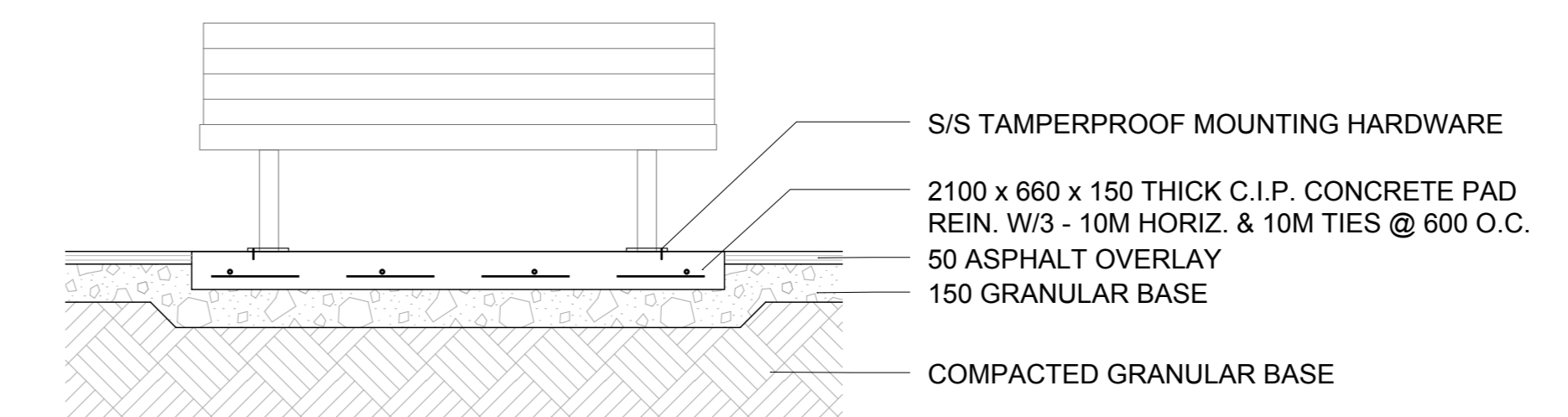
SECTION B-B



OUTLET PLAN



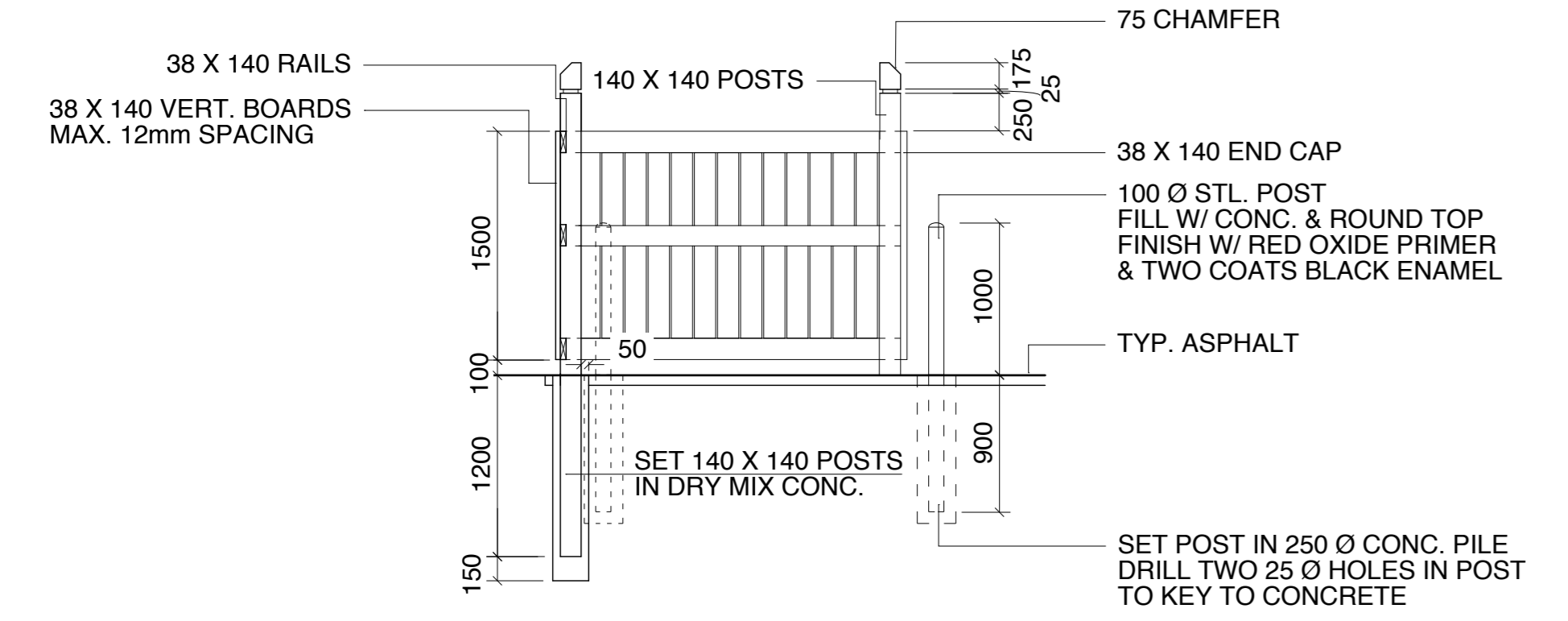
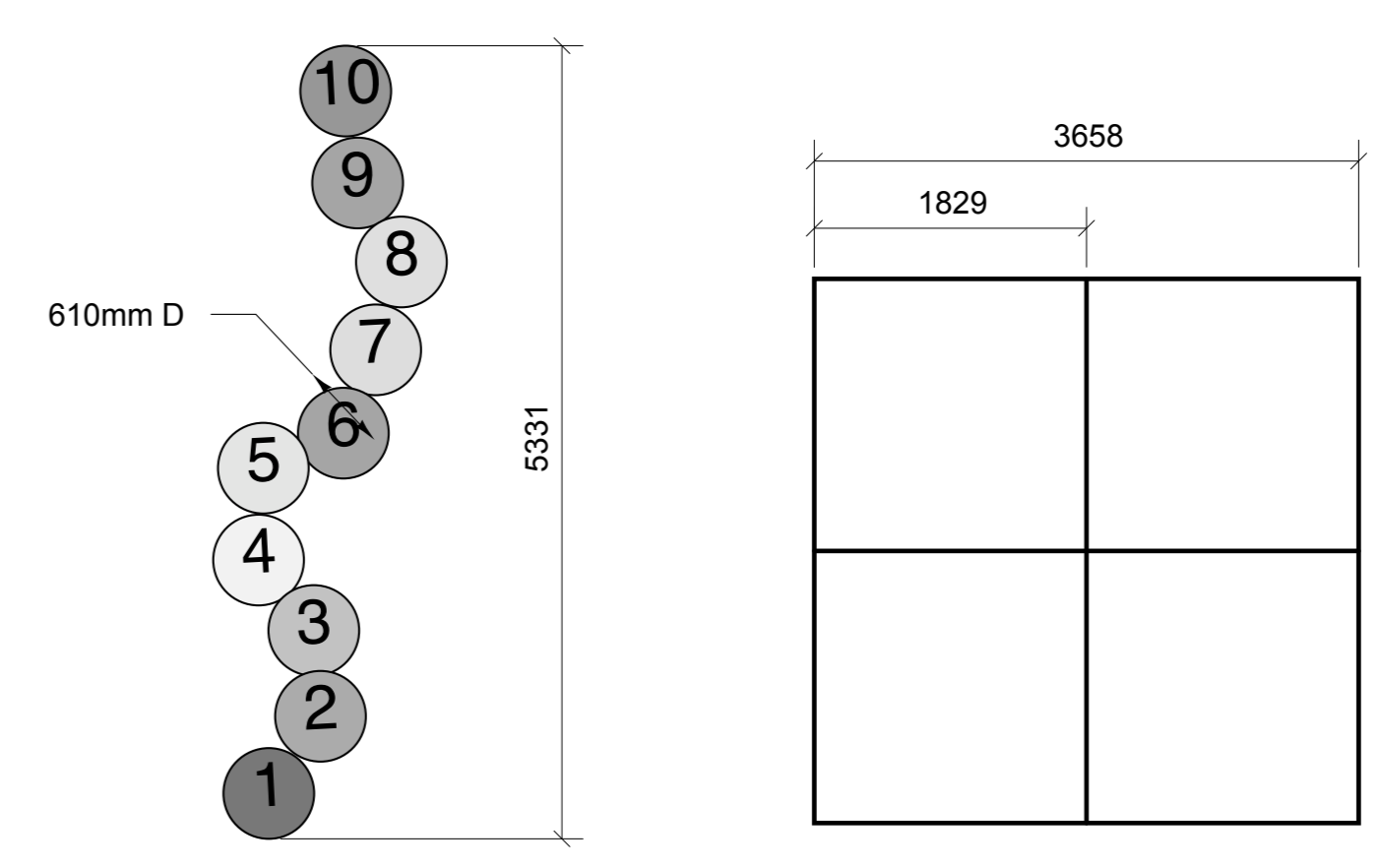
PLAN



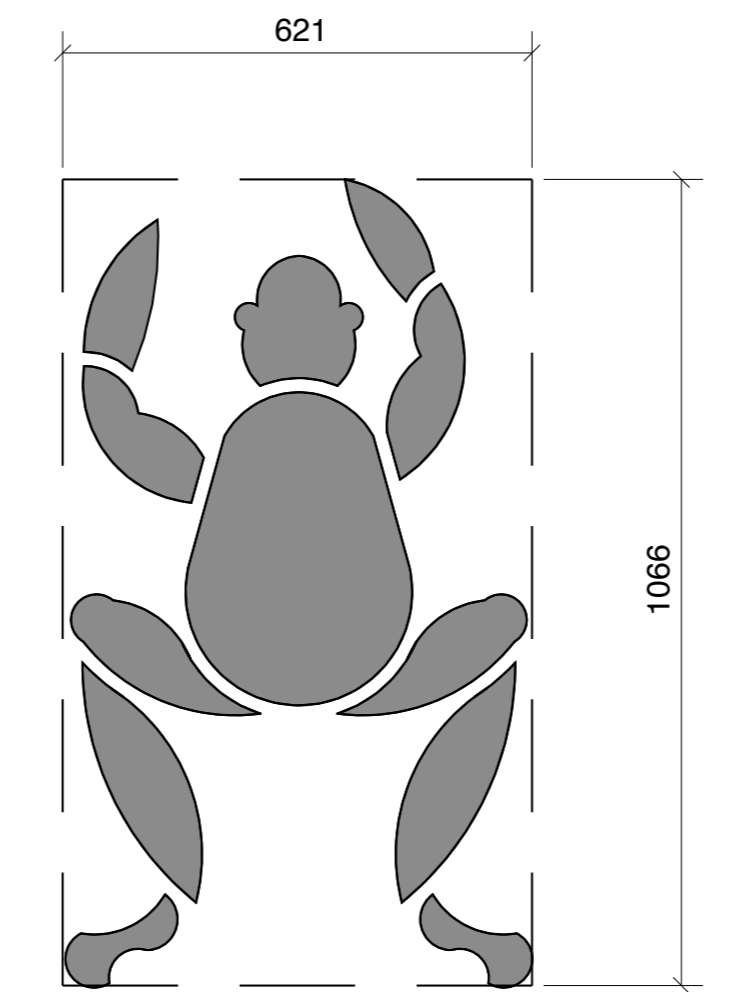
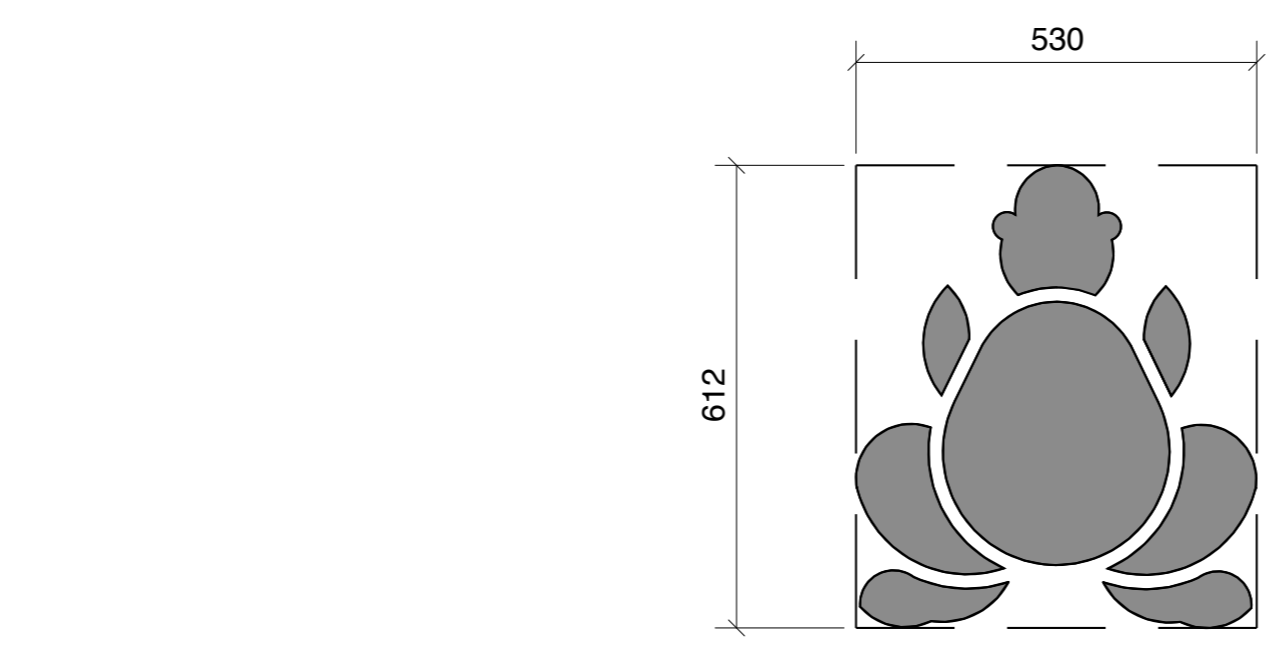
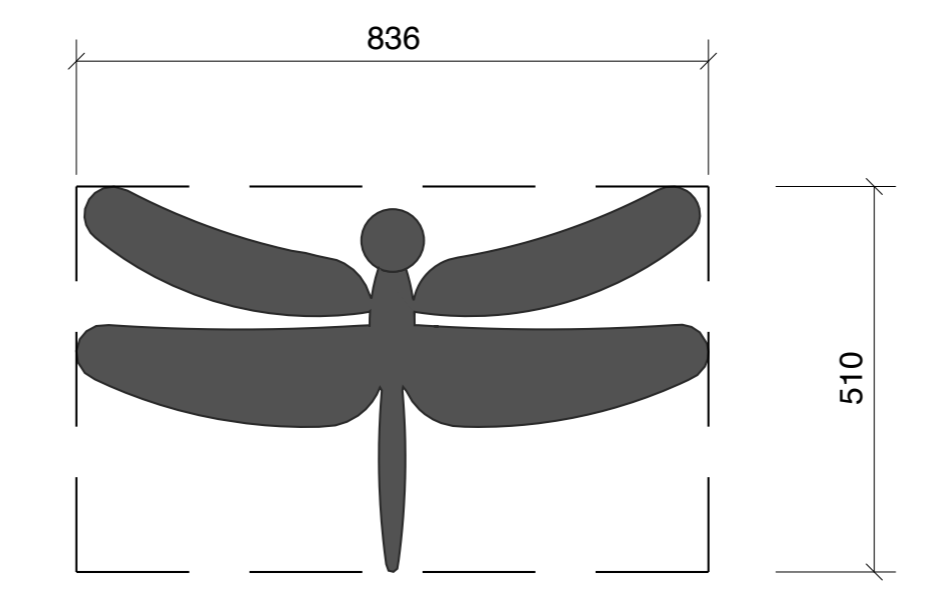
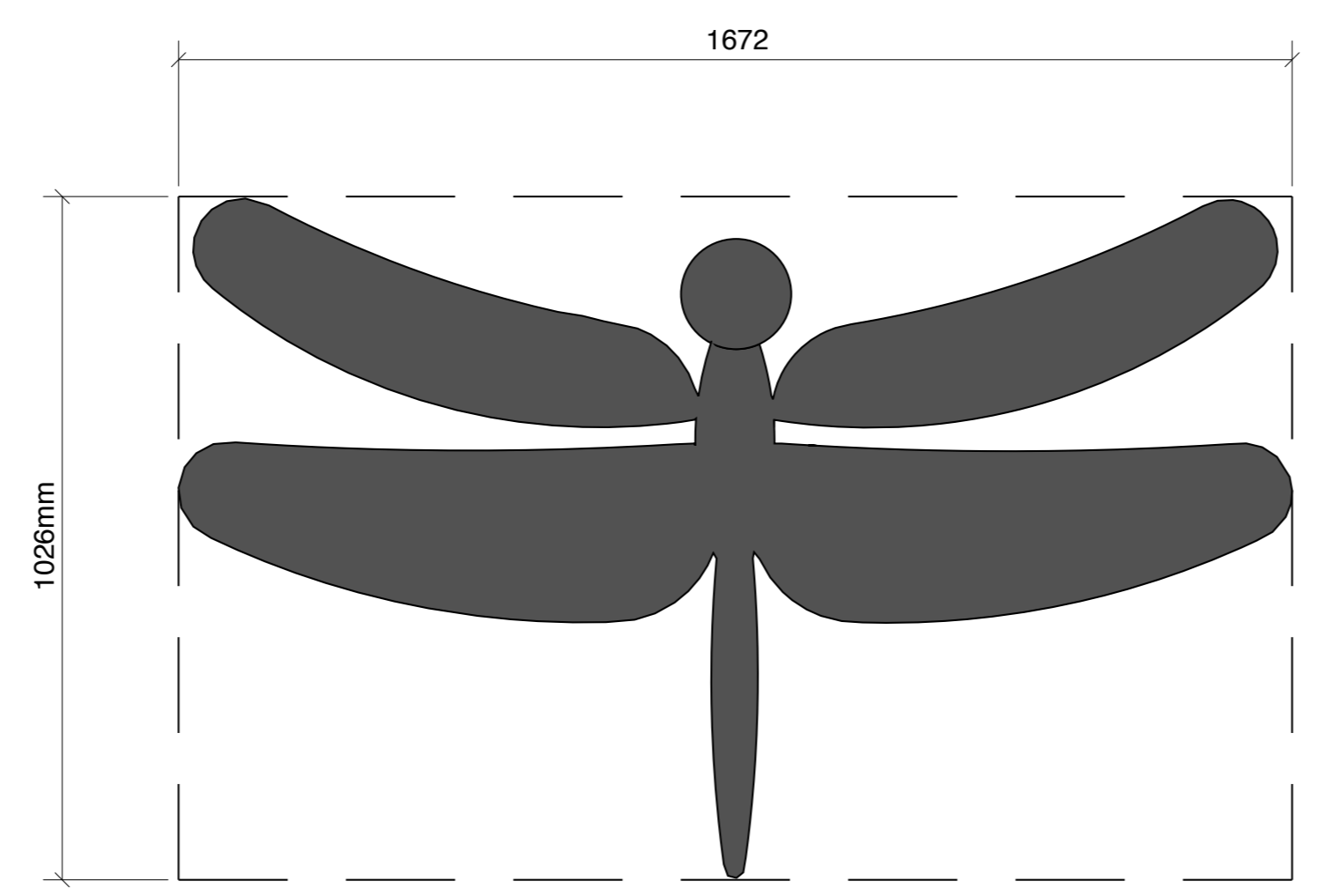
SECTION

3 L-10 TYPICAL BENCH PAD PLAN & SECTION
SCALE: N.T.S.

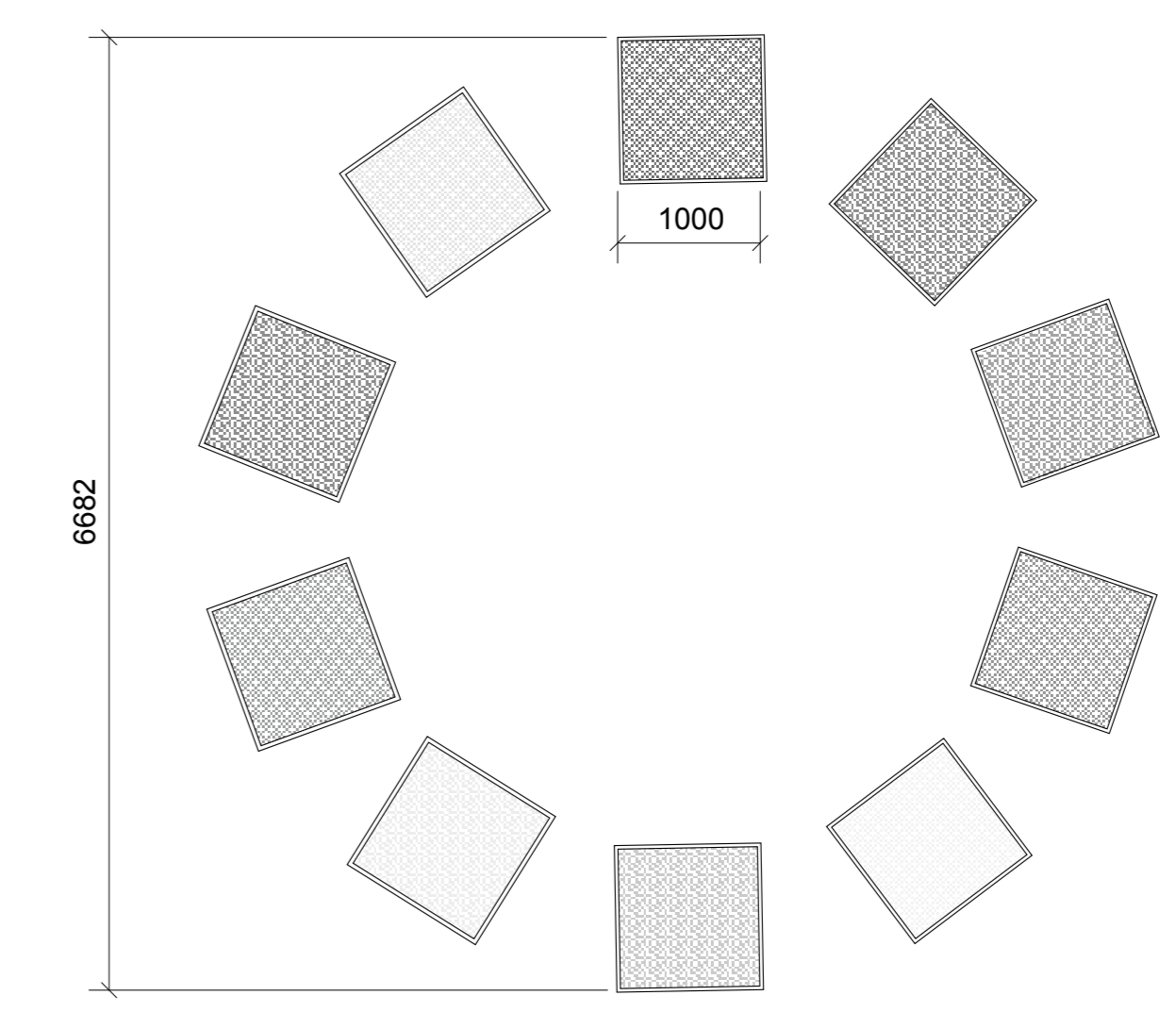
1 L-10 TRENCH DRAIN DETAIL
SCALE: 1:10



A - ELEVATION



4 L-10 PAVEMENT ANIMALS
SCALE: 1:10



PAVEMENT GAMES & ANIMALS:
1. Contractor is responsible for ensuring that components are installed as per installer's instructions.
2. Graphics will be provided by Contract Administrator in digital format for use in creating cutting templates. Templates must be submitted for review by Contract Administrator prior to installation.
3. Layout of pavement graphics to be reviewed by Contract Administrator prior to installation.

5 L-10 PAVEMENT GAMES
SCALE: 1:50

2 L-10 GARBAGE ENCLOSURE - SCHEDULE 'B' OPTIONAL
SCALE: 1:20

7	ISSUED FOR TENDER	FEB 2005
6	PRE-TENDER REVIEW	JAN 13 05
5	PRE-TENDER REVIEW	DEC 21 05
4	ISSUED FOR TENDER	SEP 15 05
3	MATERIALS & METHOD SUBMISSION	AUG 20 05
2	95% CD SUBMISSION	JULY 14 05
1	90% CD SUBMISSION	OCT 21 04
No.	Revision	Date



THIS DRAWING MUST NOT BE SCALED.
THE CONTRACTOR SHALL VERIFY ALL DIMENSIONS, DATUMS AND LEVELS PRIOR TO COMMENCEMENT OF WORK. ALL ERRORS AND OMISSIONS TO BE REPORTED IMMEDIATELY TO THE CONTRACT ADMINISTRATOR.
VARIATIONS & MODIFICATIONS TO WORK SHOWN ON THESE DRAWINGS SHALL NOT BE CARRIED OUT WITHOUT WRITTEN PERMISSION FROM THE CONTRACT ADMINISTRATOR.
THIS DRAWING IS THE EXCLUSIVE PROPERTY OF THE CONTRACT ADMINISTRATOR AND CAN BE REPRODUCED ONLY WITH THE PERMISSION OF THE CONTRACT ADMINISTRATOR. IN ANY CASE THE REPRODUCTION MUST BEAR THEIR NAME AS CONTRACT ADMINISTRATOR.

VIMY RIDGE MEMORIAL PARK PLAYGROUND AREA

Project Title
Drawing Title
CONSTRUCTION DETAILS



Drawn	TG/MB	Approved	HC
Scale	AS NOTED	Date	3/3/06
Job	04 032	Drawing	L-10